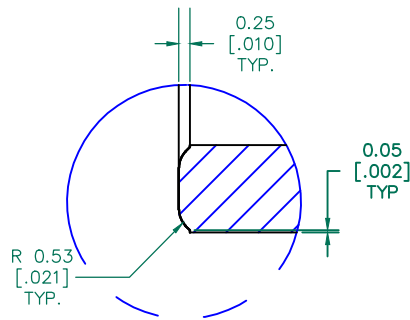


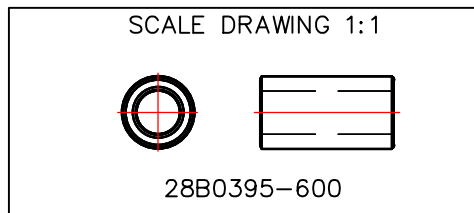
SEE DETAIL "A"



DETAIL "A"  
CHAMFER  
SCALE=6:1

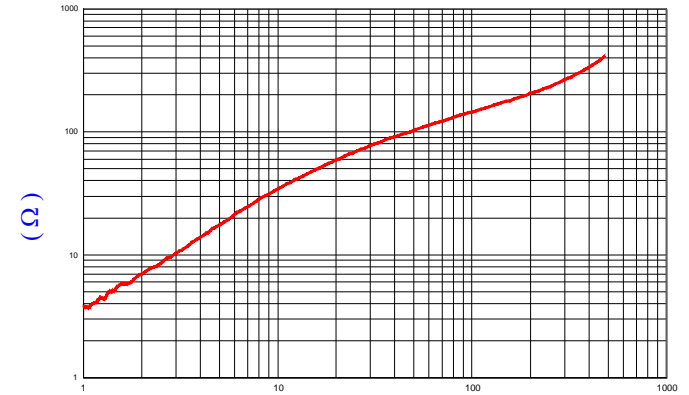
NOTES: UNLESS OTHERWISE SPECIFIED

1. COSMETIC SPECIFICATION REFER TO WI-QA-038.



IMPEDANCE ( Z )			
Frequency	25 MHz	100 MHz	300 MHz
Nominal (REF)	69 Ω	153 Ω	260 Ω
Minimum	- Ω	116 Ω	- Ω

Z vs. FREQUENCY  
(REF. ONLY)



FREQUENCY (MHz)

AGILENT E4991A Impedance/Material Analyzer  
HP 16092A Test Fixture, REF# 5900

FERRITE CORE DIMENSIONS (SPEC):mm [Inches]

A	10.01 [.394]	±	0.40 [.016]
B	5.97 [.235]	±	0.30 [.012]
C	20.00 [.787]	±	0.50 [.020]

WEIGHT/1000 4.34 kgs [9.57 Lbs]

CUSTOMER P/N		REV.		This print is the property of Laird Tech. and is loaned in confidence subject to return upon request and with the understanding that no copies shall be made without the written consent of Laird Tech. All rights to design or invention are reserved.					
N/A									
DIMENSIONS ARE IN mm[INCHES].				PROJECT/PART NUMBER:		REV	PART TYPE:	DRAWN BY:	
				28B0395-600		A	FERRITE CORE	Jcai	
DATE:		09/16/2019		SCALE:		3:1		MATERIAL:	
A		NEW RELEASE		09/16/2019		Jcai		Ferrite	
REV	DESCRIPTION	DATE	INT	CAD #		TOOL #			
				28B0395-600-A		B0395			