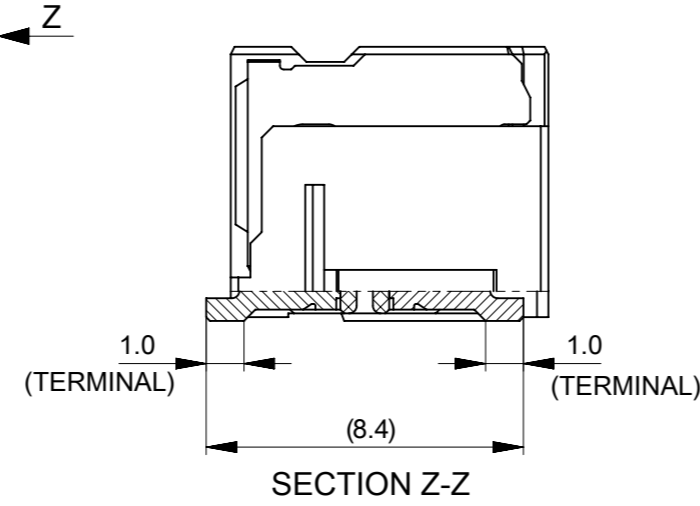
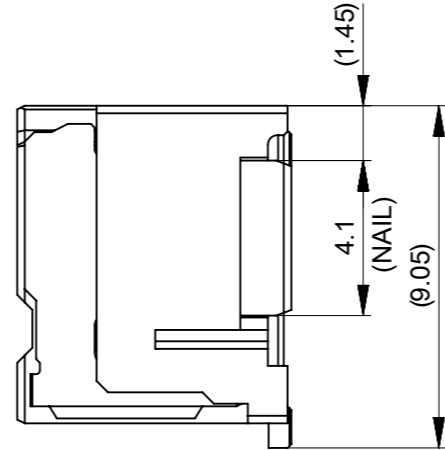
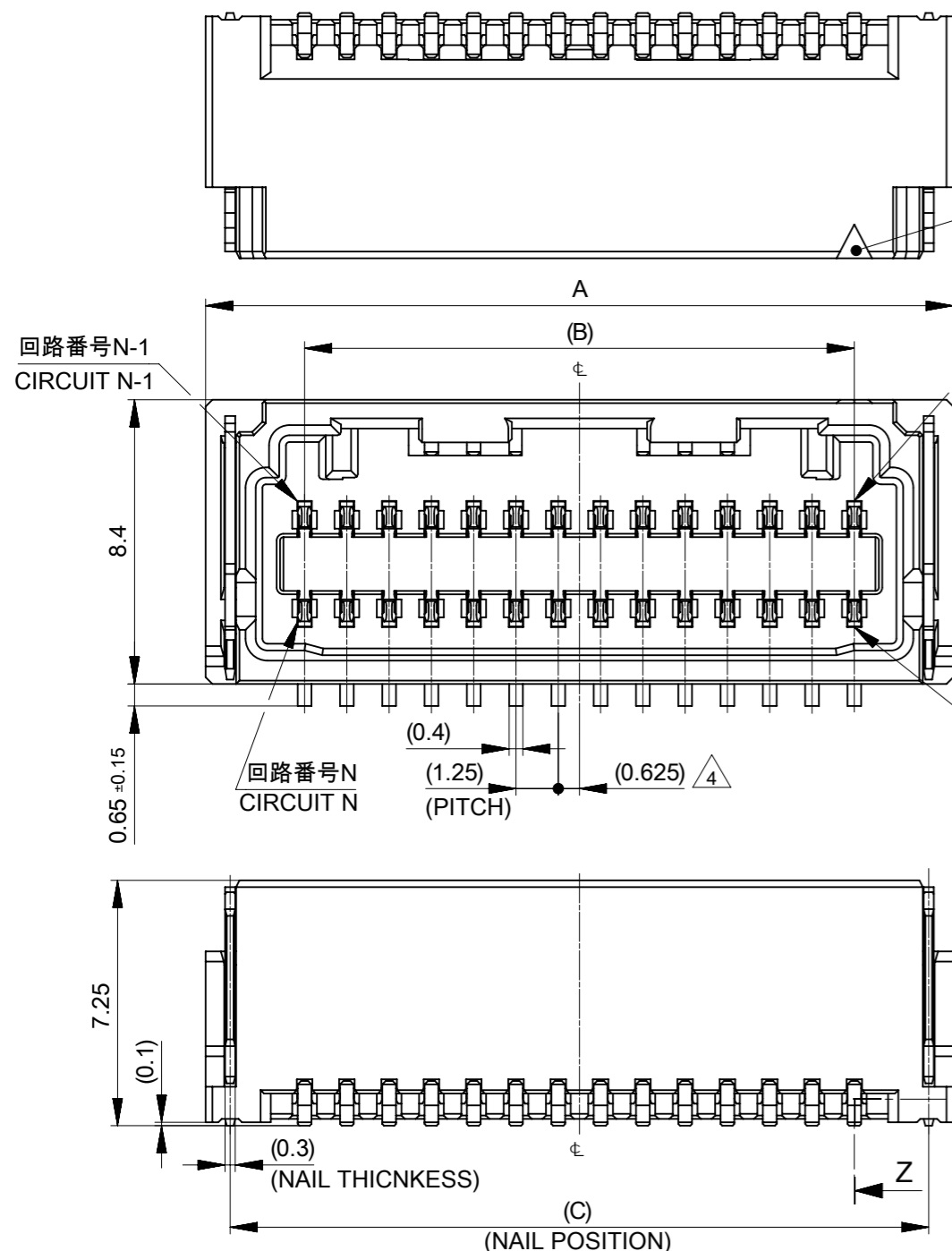


注記 NOTES

- ① 材質及び仕上げ(めっき仕様): TABLE 1, TABLE 2 参照  
MATERIAL AND FINISHES (PLATING SPECIFICATION): SEE TABLE 1, TABLE 2.
- ② 嵌合相手: 505432シリーズ  
MATE WITH: 505432 SERIES
- ③ 端子テール部及びネイルの平坦度: 0.12 MAXIMUM.  
TAIL AND NAIL COPLANARITY TO BE 0.12 MAXIMUM.
- ④ 極数 / 2 = 偶数に適用  
APPLY TO CIRCUIT SIZE / 2 = EVEN.
- ⑤ 製品仕様書: 5054320000 PS 006  
PRODUCT SPECIFICATION: 5054320000 PS 006
- ⑥ 発注番号: SHEET5,6参照  
ORDER NUMBER: PLEASE REFER TO SHEET 5,6



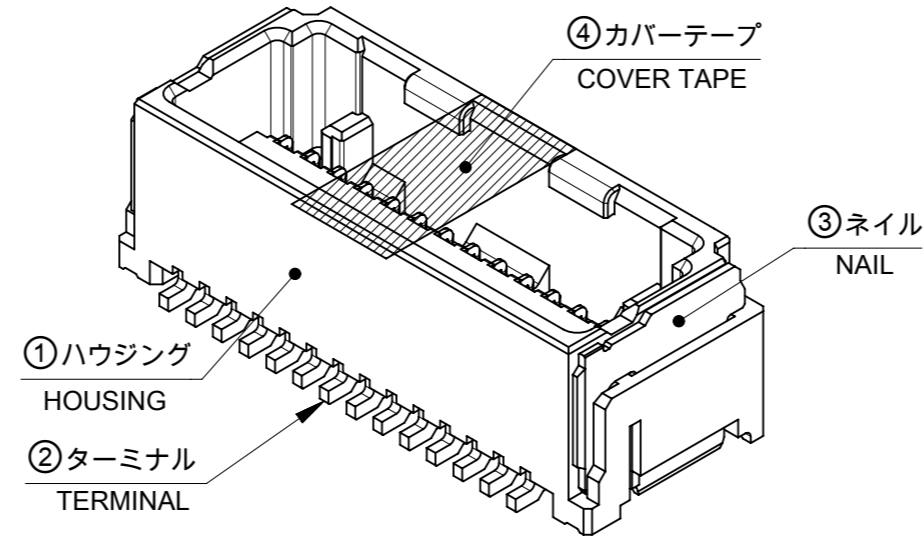
| 極数<br>CIRCUIT SIZE |  | 505433 ***           |                                  |
|--------------------|--|----------------------|----------------------------------|
| 番号 NO.             | 接点部 金めっき厚<br>CONTACT<br>GOLD PLATING THICKNESS<br>[MICROMETER MINIMUM] | カバーテープ<br>COVER TAPE | 番号 NO. ハウジングカラー<br>HOUSING COLOR |
| 9                  | 0.1  | 有<br>WITH            | 0 ナチュラル(ベージュ)<br>NATURAL (BEIGE) |
| 3                  | 0.38   |                      | 1 黒 BLACK                        |
| 5                  | 0.76   |                      | 2 赤 RED                          |
| 6                  | 0.1  | 無<br>WITHOUT         | 4 青 BLUE                         |
| 2                  | 0.38   |                      | 6 緑 GREEN                        |
| 4                  | 0.76   |                      |                                  |

7. コネクタ取扱説明書: 5054320000-AS PS 000  
APPLICATION SPECIFICATION: 5054320000-AS PS 000

|       |       |       |        |       |       |       |        |       |    |
|-------|-------|-------|--------|-------|-------|-------|--------|-------|----|
| 49.4  | 45.4  | 20.2  | 44±0.3 | 5     | 26.25 | 29.4  | 25     | 30.85 | 42 |
|       |       |       |        | 25    | 28.15 | 23.75 | 29.6   | 40    |    |
|       |       |       |        | 23.75 | 26.9  | 22.5  | 28.35  | 38    |    |
|       |       |       |        | 22.5  | 25.65 | 21.25 | 27.1   | 36    |    |
|       |       |       |        | 21.25 | 24.4  | 20    | 25.85  | 34    |    |
|       |       |       |        | 20    | 23.15 | 18.75 | 24.6   | 32    |    |
|       |       |       |        | 18.75 | 21.9  | 17.5  | 23.35  | 30    |    |
|       |       |       |        | 17.5  | 20.65 | 16.25 | 22.1   | 28    |    |
|       |       |       |        | 16.25 | 19.4  | 15    | 20.85  | 26    |    |
|       |       |       |        | 37.4  | 33.4  | 14.2  | 32±0.3 | 4.2   | 15 |
| 13.75 | 16.9  | 12.5  | 18.35  |       |       |       |        | 22    |    |
| 12.5  | 15.65 | 11.25 | 17.1   |       |       |       |        | 20    |    |
| 11.25 | 14.4  | 10    | 15.85  |       |       |       |        | 18    |    |
| 10    | 13.15 | 8.75  | 14.6   |       |       |       |        | 16    |    |
| 8.75  | 11.9  | 7.5   | 13.35  |       |       |       |        | 14    |    |
| 7.5   | 10.65 | 6.25  | 12.1   |       |       |       |        | 12    |    |
| 6.25  | 9.4   | 5     | 10.85  |       |       |       |        | 10    |    |
| 5     | 8.15  | 3.75  | 9.6    |       |       |       |        | 8     |    |
| J     | H     | G     | F      |       |       |       |        | E     | D  |

① TABLE 1

| 番号 NO. | 部品 PART           | 材質 MATERIAL  |
|--------|-------------------|--|
| ①      | ハウジング HOUSING     | ポリアミド(PA) UL94V-0 色: SHEET 5,6参照<br>POLY AMIDE(PA) UL94V-0 COLOR: SEE SHEET 5,6          |
| ②      | ターミナル TERMINAL    | 黄銅 BRASS<br>接点部: 金めっき めっき厚は注記6参照<br>CONTACT: GOLD PLATING PLATING THICKNESS: SEE NOTE 6. |
|        |                   | ニッケルめっき(下地めっき): 2.0 MICROMETER MINIMUM<br>NICKEL PLATING (UNDER PLATING)                 |
| ③      | ネイル NAIL          | 黄銅 BRASS<br>錫ビスマスめっき: 1.0 MICROMETER MINIMUM<br>TIN-BISMUTH PLATING                      |
|        |                   | ニッケルめっき(下地めっき): 1.0 MICROMETER MINIMUM<br>NICKEL PLATING (UNDER PLATING)                 |
| ④      | カバーテープ COVER TAPE | ポリイミド POLYIMIDE  |



THIS DRAWING CONTAINS INFORMATION THAT IS PROPRIETARY TO MOLEX ELECTRONIC TECHNOLOGIES, LLC AND SHOULD NOT BE USED WITHOUT WRITTEN PERMISSION

mm NTS

GENERAL TOLERANCES (UNLESS SPECIFIED)

ANGULAR TOL ± 3.0°

4 PLACES ± 0.2

3 PLACES ± 0.2

2 PLACES ± 0.2

1 PLACE ± 0.2

0 PLACES ± 0.2

DRAFT WHERE APPLICABLE MUST REMAIN WITHIN DIMENSIONS

THIRD ANGLE PROJECTION

DRAWING A3-SIZE

SERIES 505433

EC NO: 736271

DRWN: TENAGASE 2023/02/08

CHK'D: SAKIYAMA 2023/02/16

APPR: AIDA 2023/02/16

INITIAL REVISION: 2020/01/20

DRWN: TENAGASE 2020/01/21

APPR: KOMURAKAMI

DOCUMENT NUMBER 5054330003-SD

DOC TYPE PSD

DOC PART 000

REVISION D

PRODUCT CUSTOMER DRAWING

MATERIAL NUMBER SEE SHEET 5,6

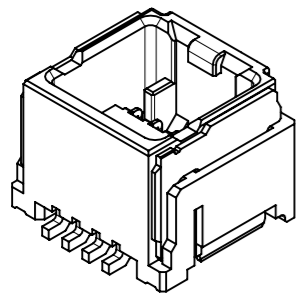
CUSTOMER GENERAL

SHEET NUMBER 1 OF 6

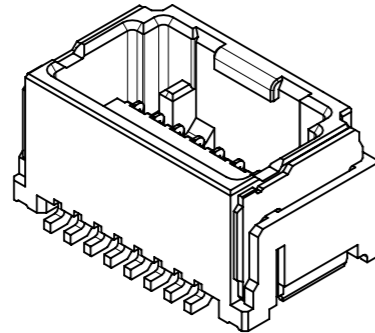
**molex**

MICRO-LOCK PLUS 1.25 W/B  
DUAL ROW VERTICAL SMT PLUG ASSEMBLY  
GOLD PLATING

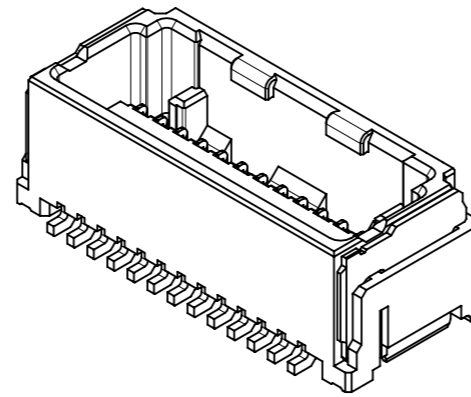
製品形状  
PRODUCT SHAPE



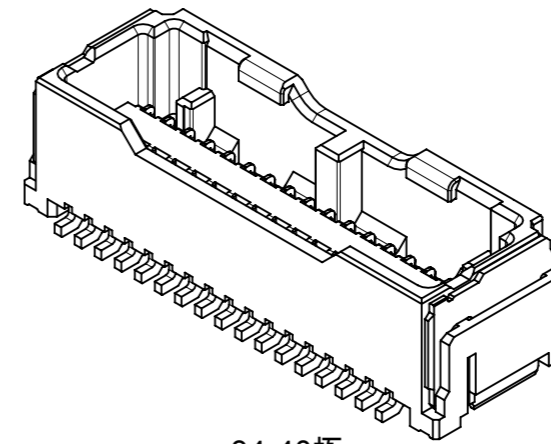
8-14極  
8-14 CIRCUIT



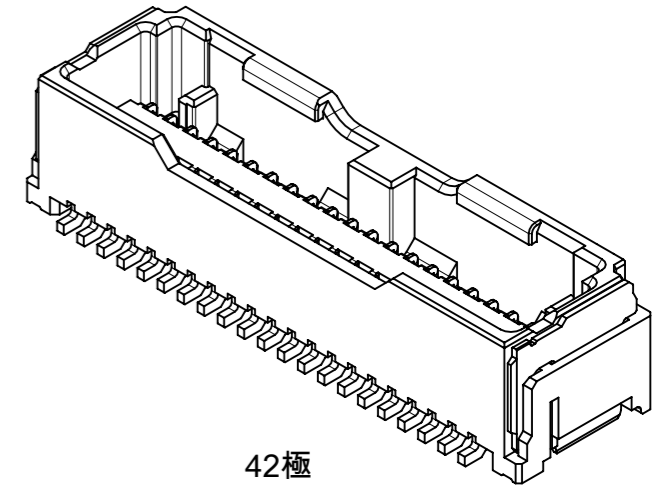
16-24極  
16-24 CIRCUIT



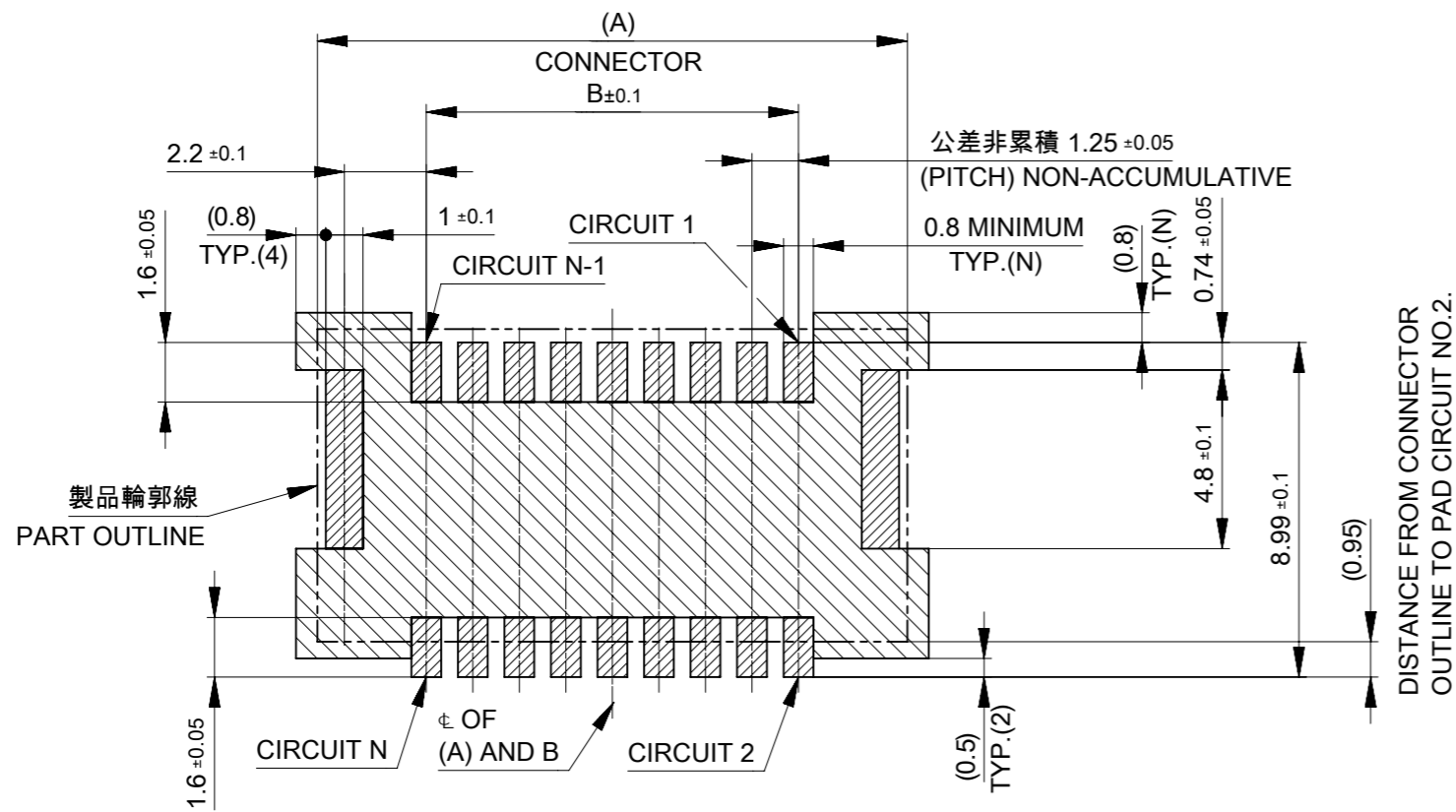
26-32極  
26-32 CIRCUIT



34-40極  
34-40 CIRCUIT



42極  
42 CIRCUIT

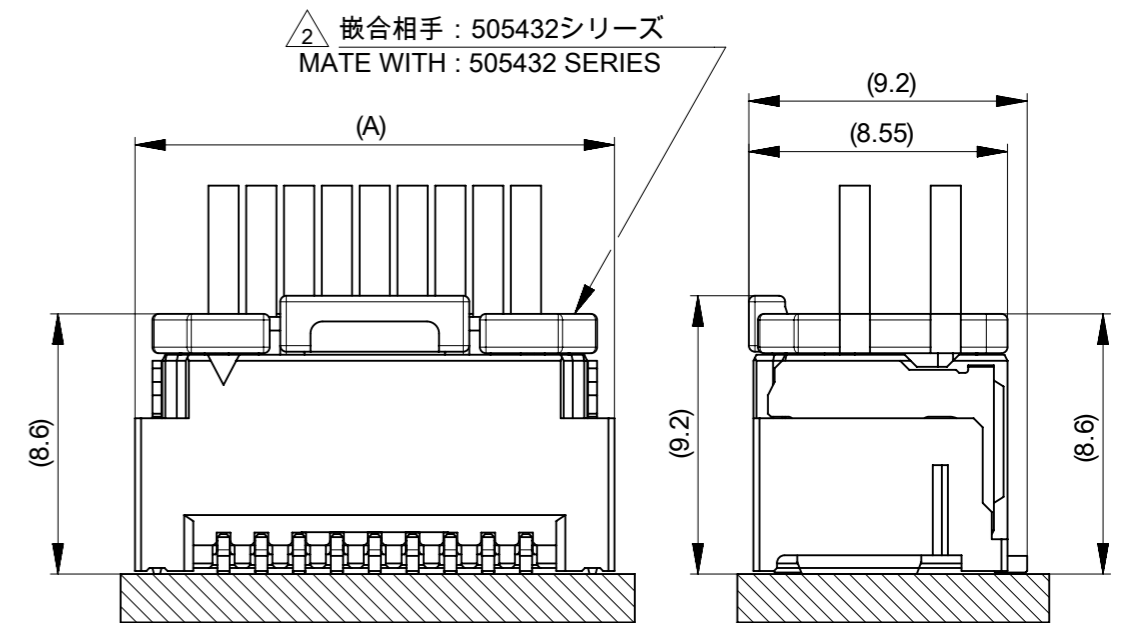


基板パターンレイアウト (参考)  
(参考: 基板厚 1.6mm, メタルマスク厚さ 0.15mm, マスク開口率 100%)

RECOMMEND PCB LAYOUT : COMPONENT SIDE  
(REFERENCE : PCB THICKNESS 1.6mm, STENCIL THICKNESS 0.15mm, APERTURE RATIO 100%)

パターン非推奨エリア  
パターンを引き回す際は、製品機能に影響がないことをご確認ください。  
PATTERN IS NOT RECOMMENDED ON THE HATCHING AREA  
PLEASE CHECK NOT TO HAVE PROBLEM FOR PRODUCT FUNCTION  
WHEN SETTING PATTERN ON THE HATCHING AREA.

嵌合状態図  
MATED CONNECTORS



|   |         |                   |                 |   |          |
|---|---------|-------------------|-----------------|---|----------|
| THIS DRAWING CONTAINS INFORMATION THAT IS PROPRIETARY TO MOLEX ELECTRONIC TECHNOLOGIES, LLC AND SHOULD NOT BE USED WITHOUT WRITTEN PERMISSION |         | CURRENT REV DESC: |                 | <b>molex</b>  |          |
| DIMENSION UNITS   | SCALE   |                   |                 |   |          |
| mm  | NTS     |                   |                 | MICRO-LOCK PLUS 1.25 W/B<br>DUAL ROW VERTICAL SMT PLUG ASSEMBLY<br>GOLD PLATING |          |
| GENERAL TOLERANCES (UNLESS SPECIFIED)   |         |                   |                 | PRODUCT CUSTOMER DRAWING  |          |
| ANGULAR TOL   | ± 3.0 ° |                   |                 | DOCUMENT NUMBER   |          |
| 4 PLACES  | ± 0.2   | EC NO: 736271     | 2023/02/08      | 5054330003-SD   |          |
| 3 PLACES  | ± 0.2   | DRWN: TENAGASE    | 2023/02/16      | DOC TYPE  | DOC PART |
| 2 PLACES  | ± 0.2   | CHK'D: SAKIYAMA   | 2020/01/21      | PSD   | 000      |
| 1 PLACE   | ± 0.2   | APPR: AIDA        |                 | REVISION  | D        |
| 0 PLACES  | ± 0.2   | INITIAL REVISION: |                 | SHEET NUMBER  |          |
| DRAFT WHERE APPLICABLE MUST REMAIN WITHIN DIMENSIONS  |         | DRWN: TENAGASE    | 2020/01/20      | 2 OF 6  |          |
| THIRD ANGLE PROJECTION  |         | APPR: KOMURAKAMI  | 2020/01/21      |   |          |
| DRAWING   |         | SERIES            | MATERIAL NUMBER | CUSTOMER  |          |
| A3-SIZE   |         | 505433            | SEE SHEET 5,6   | GENERAL   |          |

10 9 8 7 6 5 4 3 2 1

F

E

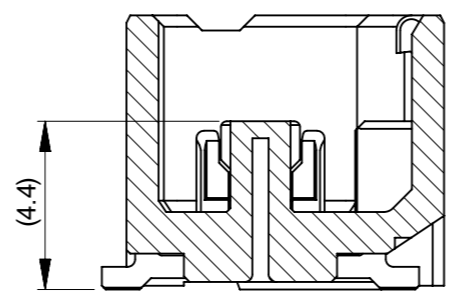
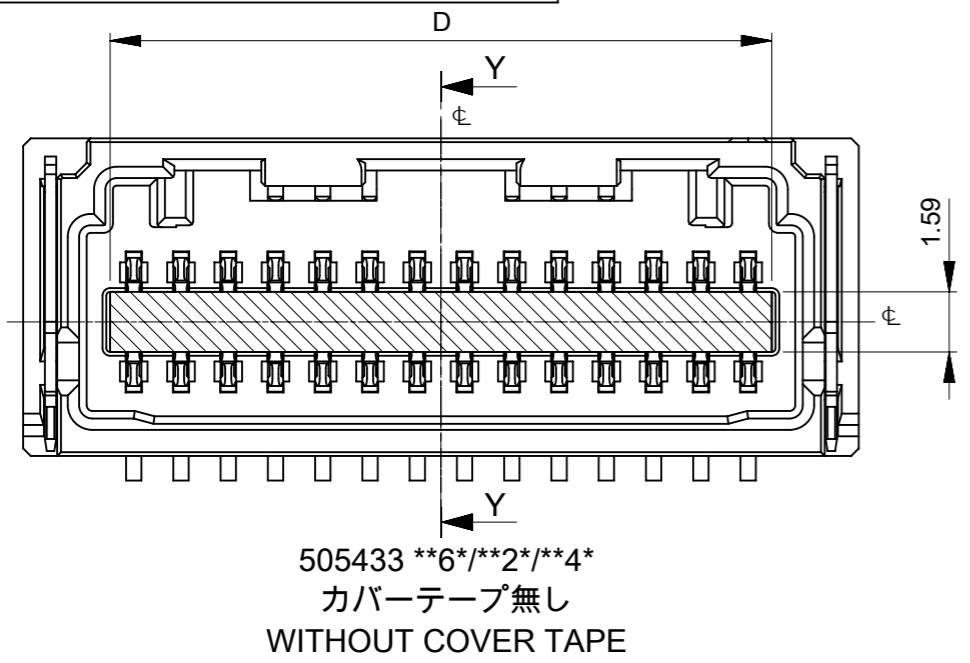
D

C

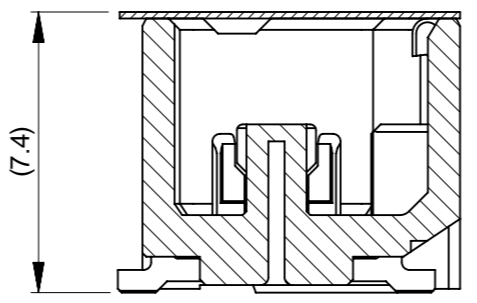
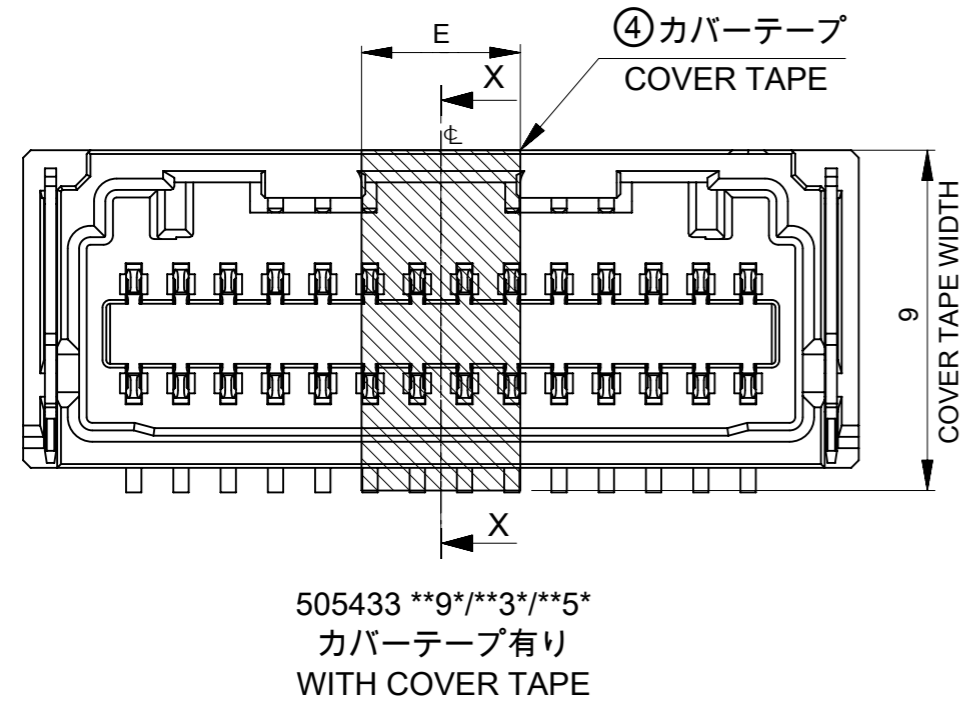
B

A

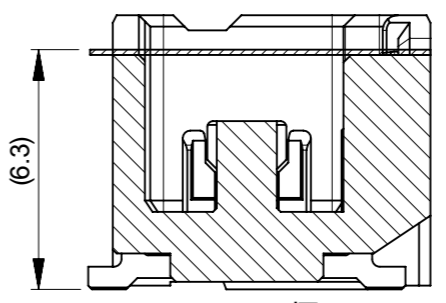
吸着エリア違い  
SUCTION AREA DIFFERENCE



SECTION Y-Y  
吸着高さ SUCTION HEIGHT



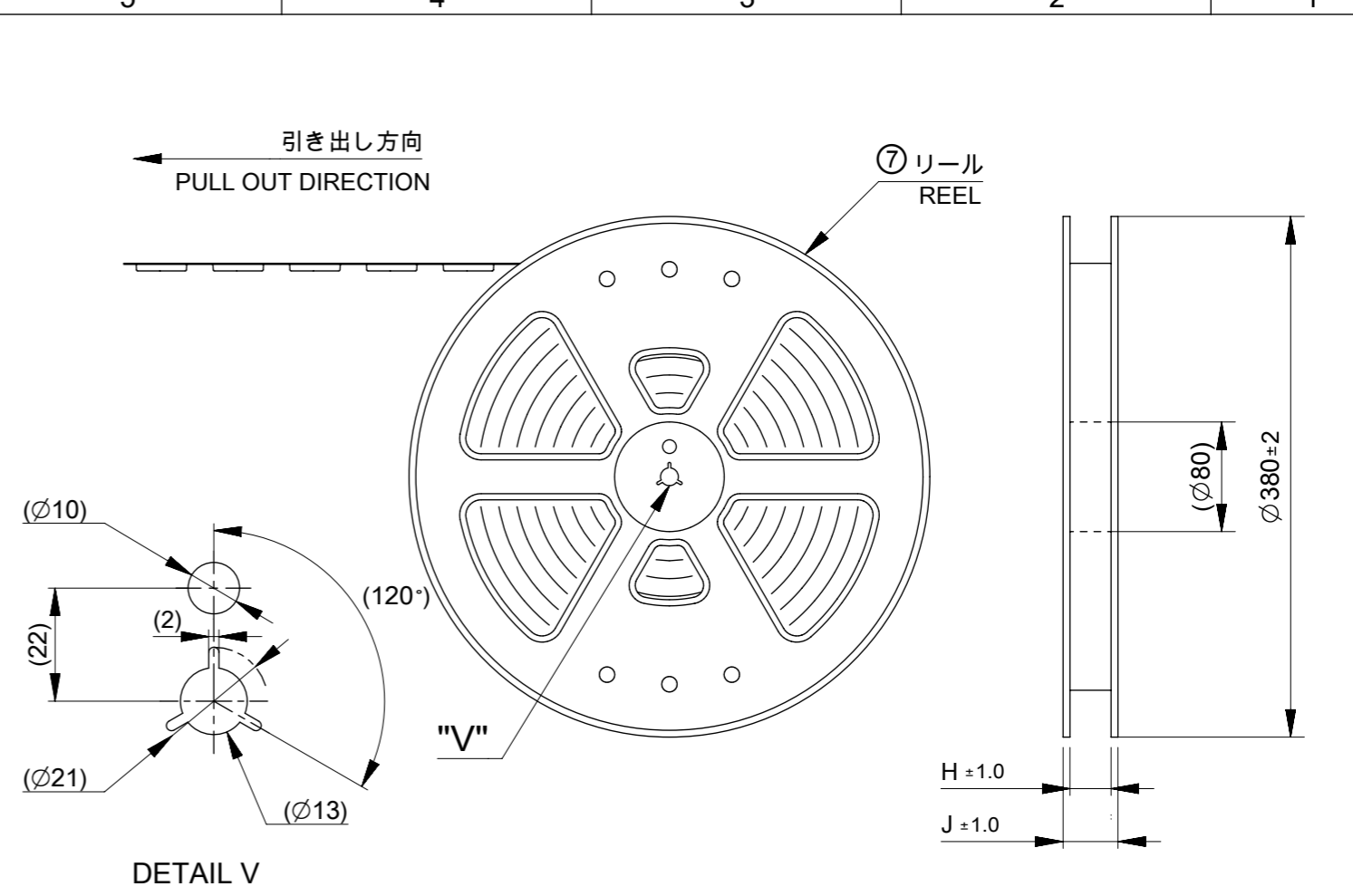
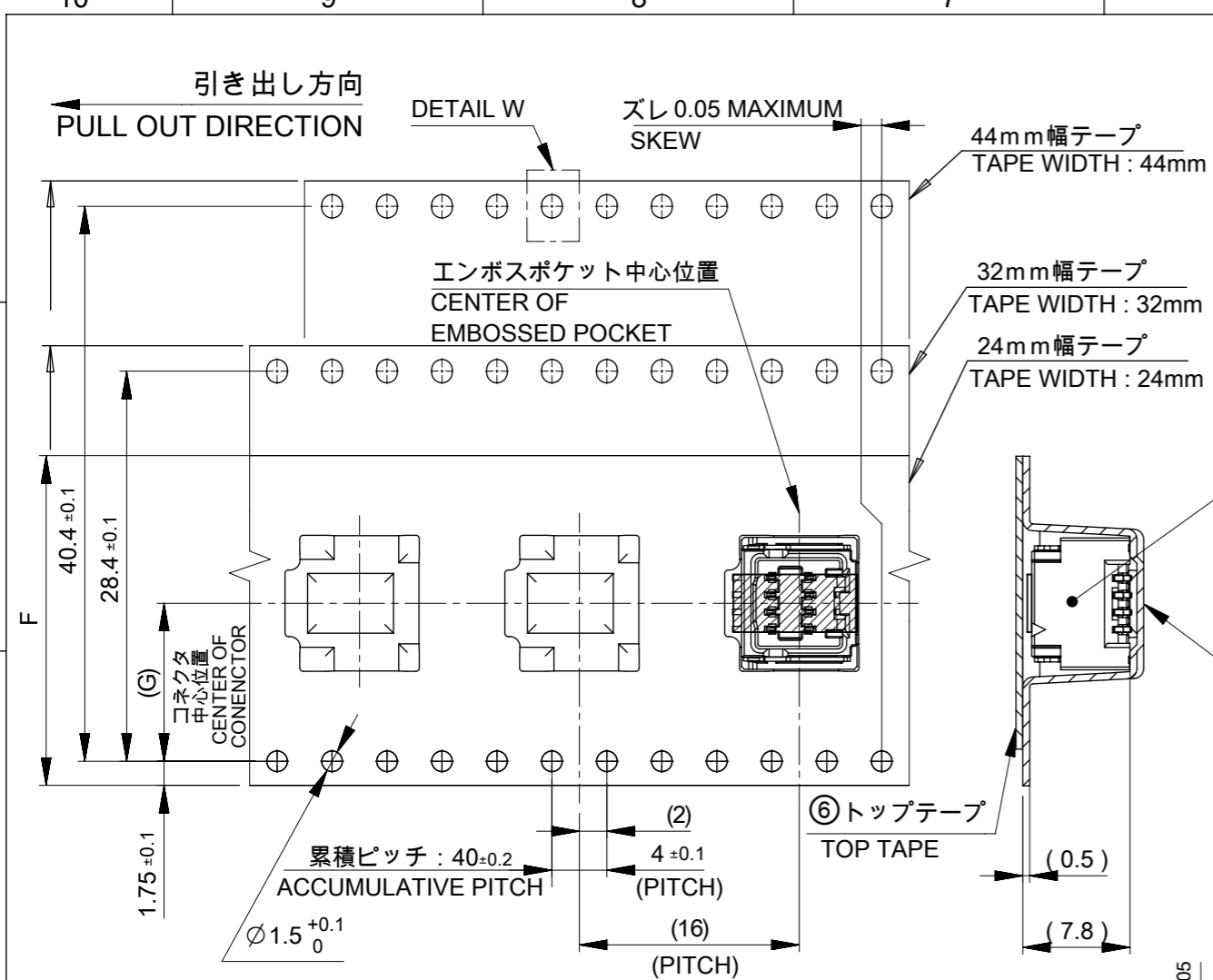
8-32極  
8-32 CIRCUIT



34-42極  
34-42 CIRCUIT

SECTION X-X  
吸着テープ高さ COVER TAPE HEIGHT

|   |  |                           |  |                             |  |                          |  |   |  |
|---|--|---------------------------|--|-----------------------------|--|--------------------------|--|---|--|
| THIS DRAWING CONTAINS INFORMATION THAT IS PROPRIETARY TO MOLEX ELECTRONIC TECHNOLOGIES, LLC AND SHOULD NOT BE USED WITHOUT WRITTEN PERMISSION |  |                           |  |                             |  |                          |  |   |  |
| DIMENSION UNITS   |  | SCALE                     |  | CURRENT REV DESC:           |  |                          |  |   |  |
| mm  |  | NTS                       |  |                             |  |                          |  |   |  |
| GENERAL TOLERANCES (UNLESS SPECIFIED)   |  |                           |  | EC NO: 736271               |  |                          |  | MICRO-LOCK PLUS 1.25 W/B<br>DUAL ROW VERTICAL SMT PLUG ASSEMBLY<br>GOLD PLATING |  |
| ANGULAR TOL ± 3.0 °   |  |                           |  | DRWN: TENAGASE 2023/02/08   |  |                          |  |   |  |
| 4 PLACES ± 0.2  |  | 3 PLACES ± 0.2            |  | CHK'D: SAKIYAMA 2023/02/16  |  | PRODUCT CUSTOMER DRAWING |  |   |  |
| 2 PLACES ± 0.2  |  | 1 PLACE ± 0.2             |  | APPR: AIDA 2023/02/16       |  | INITIAL REVISION:        |  | DOCUMENT NUMBER   |  |
| 0 PLACES ± 0.2  |  | DRWN: TENAGASE 2020/01/20 |  | APPR: KOMURAKAMI 2020/01/21 |  | 5054330003-SD            |  | DOC TYPE DOC PART REVISION  |  |
| DRAFT WHERE APPLICABLE MUST REMAIN WITHIN DIMENSIONS  |  | THIRD ANGLE PROJECTION    |  | DRAWING                     |  | SERIES                   |  | MATERIAL NUMBER CUSTOMER SHEET NUMBER   |  |
|   |  |                           |  | A3-SIZE                     |  | 505433                   |  | SEE SHEET 5,6 GENERAL 3 OF 6  |  |



**NOTES**

- 8. 梱包数量 : 500個  
NUMBER OF CONNECTORS : 500 PIECES/REEL.
- 9. 梱包仕様書 : 5054339200 PS 200  
PACKING SPECIFICATION : 5054339200 PS 200
- 10. リードテープ長さ  
LEAD TAPE LENGTH

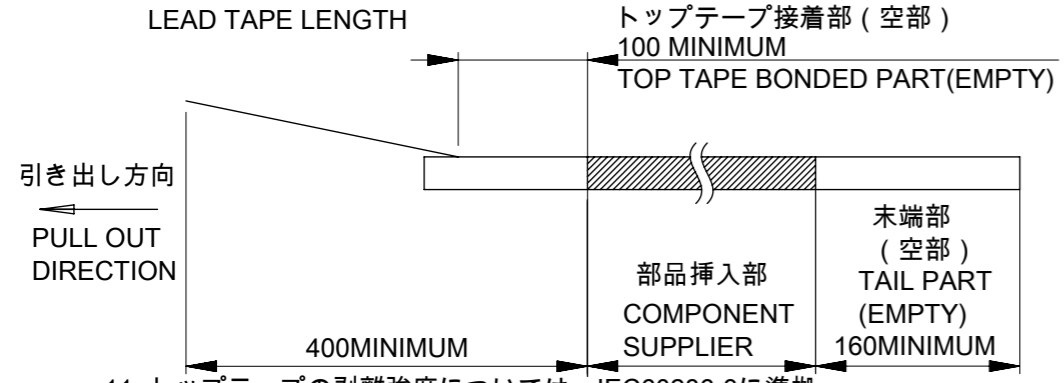


TABLE 2

| 番号<br>NO. | 部品<br>PART                | 材質<br>MATERIAL  |
|-----------|---------------------------|---|
| ⑤         | エンボステープ<br>EMBOSSSED TAPE | ポリスチレン(PS)<br>POLYSTYRENE(PS)   |
| ⑥         | トップテープ<br>TOP TAPE        | ポリエチレン(PE)、その他<br>POLYETHYLENE(PE), OTHER                               |
| ⑦         | リール<br>REEL               | ポリスチレン(PS) <リサイクル材を含む><br>POLYSTYRENE(PS) <RECYCLE MATERIAL CONTAINED > |

|   |         |                        |                  |   |  |
|---|---------|------------------------|------------------|---|--|
| THIS DRAWING CONTAINS INFORMATION THAT IS PROPRIETARY TO MOLEX ELECTRONIC TECHNOLOGIES, LLC AND SHOULD NOT BE USED WITHOUT WRITTEN PERMISSION |         | CURRENT REV DESC:      |                  | <b>molex</b>  |  |
| DIMENSION UNITS   | SCALE   |                        |                  |   |  |
| mm  | NTS     |                        |                  | MICRO-LOCK PLUS 1.25 W/B<br>DUAL ROW VERTICAL SMT PLUG ASSEMBLY<br>GOLD PLATING |  |
| GENERAL TOLERANCES<br>(UNLESS SPECIFIED)  |         |                        |                  |   |  |
| ANGULAR TOL   | ± 3.0 ° |                        |                  | PRODUCT CUSTOMER DRAWING  |  |
| 4 PLACES  | ± 0.2   |                        |                  |   |  |
| 3 PLACES  | ± 0.2   |                        |                  | DOCUMENT NUMBER: 5054330003-SD<br>DOC TYPE: PSD<br>DOC PART: 000<br>REVISION: D |  |
| 2 PLACES  | ± 0.2   |                        |                  |   |  |
| 1 PLACE   | ± 0.2   |                        |                  | MATERIAL NUMBER: SEE SHEET 5,6<br>CUSTOMER: GENERAL<br>SHEET NUMBER: 4 OF 6     |  |
| 0 PLACES  | ± 0.2   |                        |                  |   |  |
| DRAFT WHERE APPLICABLE<br>MUST REMAIN<br>WITHIN DIMENSIONS  |         | THIRD ANGLE PROJECTION | DRAWING: A3-SIZE | SERIES: 505433  |  |

カバーテープ有 WITH COVER TAPE

△ 505433\*\*9\*発注番号一覧 ORDER NUMBER LIST


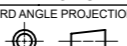
| GREEN  | BLUE       | RED        | BLACK      | NATURAL (BEIGE) | HOUSING COLOR      |
|--|------------|------------|------------|-----------------|--------------------|
| 5054334296   | 5054334294 | 5054334292 | 5054334291 | 5054334290      | 42                 |
| 5054334096   | 5054334094 | 5054334092 | 5054334091 | 5054334090      | 40                 |
| 5054333896   | 5054333894 | 5054333892 | 5054333891 | 5054333890      | 38                 |
| 5054333696   | 5054333694 | 5054333692 | 5054333691 | 5054333690      | 36                 |
| 5054333496   | 5054333494 | 5054333492 | 5054333491 | 5054333490      | 34                 |
| 5054333296   | 5054333294 | 5054333292 | 5054333291 | 5054333290      | 32                 |
| 5054333096   | 5054333094 | 5054333092 | 5054333091 | 5054333090      | 30                 |
| 5054332896   | 5054332894 | 5054332892 | 5054332891 | 5054332890      | 28                 |
| 5054332696   | 5054332694 | 5054332692 | 5054332691 | 5054332690      | 26                 |
| 5054332496   | 5054332494 | 5054332492 | 5054332491 | 5054332490      | 24                 |
| 5054332296   | 5054332294 | 5054332292 | 5054332291 | 5054332290      | 22                 |
| 5054332096   | 5054332094 | 5054332092 | 5054332091 | 5054332090      | 20                 |
| 5054331896   | 5054331894 | 5054331892 | 5054331891 | 5054331890      | 18                 |
| 5054331696   | 5054331694 | 5054331692 | 5054331691 | 5054331690      | 16                 |
| 5054331496   | 5054331494 | 5054331492 | 5054331491 | 5054331490      | 14                 |
| 5054331296   | 5054331294 | 5054331292 | 5054331291 | 5054331290      | 12                 |
| 5054331096   | 5054331094 | 5054331092 | 5054331091 | 5054331090      | 10                 |
| 5054330896   | 5054330894 | 5054330892 | 5054330891 | 5054330890      | 8                  |
| 発注番号 ORDER NUMBER  |            |            |            |                 | 極数<br>CIRCUIT SIZE |
| 梱包形態 : エンボステープ、リール<br>PACKAGING STYLE : EMBOSSED TAPE AND REEL |            |            |            |                 |                    |

△ 505433\*\*5\*発注番号一覧 ORDER NUMBER LIST

| GREEN  | BLUE       | RED        | BLACK      | NATURAL (BEIGE) | HOUSING COLOR      |
|--|------------|------------|------------|-----------------|--------------------|
| 5054334256   | 5054334254 | 5054334252 | 5054334251 | 5054334250      | 42                 |
| 5054334056   | 5054334054 | 5054334052 | 5054334051 | 5054334050      | 40                 |
| 5054333856   | 5054333854 | 5054333852 | 5054333851 | 5054333850      | 38                 |
| 5054333656   | 5054333654 | 5054333652 | 5054333651 | 5054333650      | 36                 |
| 5054333456   | 5054333454 | 5054333452 | 5054333451 | 5054333450      | 34                 |
| 5054333256   | 5054333254 | 5054333252 | 5054333251 | 5054333250      | 32                 |
| 5054333056   | 5054333054 | 5054333052 | 5054333051 | 5054333050      | 30                 |
| 5054332856   | 5054332854 | 5054332852 | 5054332851 | 5054332850      | 28                 |
| 5054332656   | 5054332654 | 5054332652 | 5054332651 | 5054332650      | 26                 |
| 5054332456   | 5054332454 | 5054332452 | 5054332451 | 5054332450      | 24                 |
| 5054332256   | 5054332254 | 5054332252 | 5054332251 | 5054332250      | 22                 |
| 5054332056   | 5054332054 | 5054332052 | 5054332051 | 5054332050      | 20                 |
| 5054331856   | 5054331854 | 5054331852 | 5054331851 | 5054331850      | 18                 |
| 5054331656   | 5054331654 | 5054331652 | 5054331651 | 5054331650      | 16                 |
| 5054331456   | 5054331454 | 5054331452 | 5054331451 | 5054331450      | 14                 |
| 5054331256   | 5054331254 | 5054331252 | 5054331251 | 5054331250      | 12                 |
| 5054331056   | 5054331054 | 5054331052 | 5054331051 | 5054331050      | 10                 |
| 5054330856   | 5054330854 | 5054330852 | 5054330851 | 5054330850      | 8                  |
| 発注番号 ORDER NUMBER  |            |            |            |                 | 極数<br>CIRCUIT SIZE |
| 梱包形態 : エンボステープ、リール<br>PACKAGING STYLE : EMBOSSED TAPE AND REEL |            |            |            |                 |                    |

△ 505433\*\*3\*発注番号一覧 ORDER NUMBER LIST

| GREEN  | BLUE       | RED        | BLACK      | NATURAL (BEIGE) | HOUSING COLOR      |
|--|------------|------------|------------|-----------------|--------------------|
| 5054334236   | 5054334234 | 5054334232 | 5054334231 | 5054334230      | 42                 |
| 5054334036   | 5054334034 | 5054334032 | 5054334031 | 5054334030      | 40                 |
| 5054333836   | 5054333834 | 5054333832 | 5054333831 | 5054333830      | 38                 |
| 5054333636   | 5054333634 | 5054333632 | 5054333631 | 5054333630      | 36                 |
| 5054333436   | 5054333434 | 5054333432 | 5054333431 | 5054333430      | 34                 |
| 5054333236   | 5054333234 | 5054333232 | 5054333231 | 5054333230      | 32                 |
| 5054333036   | 5054333034 | 5054333032 | 5054333031 | 5054333030      | 30                 |
| 5054332836   | 5054332834 | 5054332832 | 5054332831 | 5054332830      | 28                 |
| 5054332636   | 5054332634 | 5054332632 | 5054332631 | 5054332630      | 26                 |
| 5054332436   | 5054332434 | 5054332432 | 5054332431 | 5054332430      | 24                 |
| 5054332236   | 5054332234 | 5054332232 | 5054332231 | 5054332230      | 22                 |
| 5054332036   | 5054332034 | 5054332032 | 5054332031 | 5054332030      | 20                 |
| 5054331836   | 5054331834 | 5054331832 | 5054331831 | 5054331830      | 18                 |
| 5054331636   | 5054331634 | 5054331632 | 5054331631 | 5054331630      | 16                 |
| 5054331436   | 5054331434 | 5054331432 | 5054331431 | 5054331430      | 14                 |
| 5054331236   | 5054331234 | 5054331232 | 5054331231 | 5054331230      | 12                 |
| 5054331036   | 5054331034 | 5054331032 | 5054331031 | 5054331030      | 10                 |
| 5054330836   | 5054330834 | 5054330832 | 5054330831 | 5054330830      | 8                  |
| 発注番号 ORDER NUMBER  |            |            |            |                 | 極数<br>CIRCUIT SIZE |
| 梱包形態 : エンボステープ、リール<br>PACKAGING STYLE : EMBOSSED TAPE AND REEL |            |            |            |                 |                    |

|   |  |  |  |   |  |         |               |   |          |              |
|---|--|--|--|---|--|---------|---------------|---|----------|--------------|
| THIS DRAWING CONTAINS INFORMATION THAT IS PROPRIETARY TO MOLEX ELECTRONIC TECHNOLOGIES, LLC AND SHOULD NOT BE USED WITHOUT WRITTEN PERMISSION |  |  |  |   |  |         |               |   |          |              |
| DIMENSION UNITS   |  | SCALE  |  | CURRENT REV DESC:   |  |         |               |  |          |              |
| mm  |  | NTS  |  |   |  |         |               |   |          |              |
| GENERAL TOLERANCES (UNLESS SPECIFIED)   |  |  |  | EC NO: 736271<br>DRWN: TENAGASE 2023/02/08<br>CHK'D: SAKIYAMA 2023/02/16<br>APPR: AIDA 2023/02/16               |  |         |               | MICRO-LOCK PLUS 1.25 W/B<br>DUAL ROW VERTICAL SMT PLUG ASSEMBLY<br>GOLD PLATING       |          |              |
| ANGULAR TOL ± 3.0 °   |  |  |  |   |  |         |               |   |          |              |
| 4 PLACES ± 0.2  |  | 3 PLACES ± 0.2                                       |  | INITIAL REVISION:<br>DRWN: TENAGASE 2020/01/20<br>APPR: KOMURAKAMI 2020/01/21                                   |  |         |               | PRODUCT CUSTOMER DRAWING  |          |              |
| 2 PLACES ± 0.2  |  | 1 PLACE ± 0.2  |  |   |  |         |               | DOCUMENT NUMBER   |          | DOC TYPE     |
| 0 PLACES ± 0.2  |  | DRAFT WHERE APPLICABLE MUST REMAIN WITHIN DIMENSIONS |  | THIRD ANGLE PROJECTION<br> |  | DRAWING | SERIES        | MATERIAL NUMBER   | CUSTOMER | SHEET NUMBER |
|   |  |  |  | A3-SIZE   |  | 505433  | SEE SHEET 5,6 | GENERAL   | 5 OF 6   |              |

カバーテープ無 WITHOUT COVER TAPE

△ 505433\*\*6\*発注番号一覧 ORDER NUMBER LIST


| GREEN  | BLUE       | RED        | BLACK      | NATURAL (BEIGE) | HOUSING COLOR      |
|--|------------|------------|------------|-----------------|--------------------|
| 5054334266   | 5054334264 | 5054334262 | 5054334261 | 5054334260      | 42                 |
| 5054334066   | 5054334064 | 5054334062 | 5054334061 | 5054334060      | 40                 |
| 5054333866   | 5054333864 | 5054333862 | 5054333861 | 5054333860      | 38                 |
| 5054333666   | 5054333664 | 5054333662 | 5054333661 | 5054333660      | 36                 |
| 5054333466   | 5054333464 | 5054333462 | 5054333461 | 5054333460      | 34                 |
| 5054333266   | 5054333264 | 5054333262 | 5054333261 | 5054333260      | 32                 |
| 5054333066   | 5054333064 | 5054333062 | 5054333061 | 5054333060      | 30                 |
| 5054332866   | 5054332864 | 5054332862 | 5054332861 | 5054332860      | 28                 |
| 5054332666   | 5054332664 | 5054332662 | 5054332661 | 5054332660      | 26                 |
| 5054332466   | 5054332464 | 5054332462 | 5054332461 | 5054332460      | 24                 |
| 5054332266   | 5054332264 | 5054332262 | 5054332261 | 5054332260      | 22                 |
| 5054332066   | 5054332064 | 5054332062 | 5054332061 | 5054332060      | 20                 |
| 5054331866   | 5054331864 | 5054331862 | 5054331861 | 5054331860      | 18                 |
| 5054331666   | 5054331664 | 5054331662 | 5054331661 | 5054331660      | 16                 |
| 5054331466   | 5054331464 | 5054331462 | 5054331461 | 5054331460      | 14                 |
| 5054331266   | 5054331264 | 5054331262 | 5054331261 | 5054331260      | 12                 |
| 5054331066   | 5054331064 | 5054331062 | 5054331061 | 5054331060      | 10                 |
| 5054330866   | 5054330864 | 5054330862 | 5054330861 | 5054330860      | 8                  |
| 発注番号 ORDER NUMBER  |            |            |            |                 | 極数<br>CIRCUIT SIZE |
| 梱包形態 : エンボステープ、リール<br>PACKAGING STYLE : EMBOSSED TAPE AND REEL |            |            |            |                 |                    |

△ 505433\*\*4\*発注番号一覧 ORDER NUMBER LIST

| GREEN  | BLUE       | RED        | BLACK      | NATURAL (BEIGE) | HOUSING COLOR      |
|--|------------|------------|------------|-----------------|--------------------|
| 5054334246   | 5054334244 | 5054334242 | 5054334241 | 5054334240      | 42                 |
| 5054334046   | 5054334044 | 5054334042 | 5054334041 | 5054334040      | 40                 |
| 5054333846   | 5054333844 | 5054333842 | 5054333841 | 5054333840      | 38                 |
| 5054333646   | 5054333644 | 5054333642 | 5054333641 | 5054333640      | 36                 |
| 5054333446   | 5054333444 | 5054333442 | 5054333441 | 5054333440      | 34                 |
| 5054333246   | 5054333244 | 5054333242 | 5054333241 | 5054333240      | 32                 |
| 5054333046   | 5054333044 | 5054333042 | 5054333041 | 5054333040      | 30                 |
| 5054332846   | 5054332844 | 5054332842 | 5054332841 | 5054332840      | 28                 |
| 5054332646   | 5054332644 | 5054332642 | 5054332641 | 5054332640      | 26                 |
| 5054332446   | 5054332444 | 5054332442 | 5054332441 | 5054332440      | 24                 |
| 5054332246   | 5054332244 | 5054332242 | 5054332241 | 5054332240      | 22                 |
| 5054332046   | 5054332044 | 5054332042 | 5054332041 | 5054332040      | 20                 |
| 5054331846   | 5054331844 | 5054331842 | 5054331841 | 5054331840      | 18                 |
| 5054331646   | 5054331644 | 5054331642 | 5054331641 | 5054331640      | 16                 |
| 5054331446   | 5054331444 | 5054331442 | 5054331441 | 5054331440      | 14                 |
| 5054331246   | 5054331244 | 5054331242 | 5054331241 | 5054331240      | 12                 |
| 5054331046   | 5054331044 | 5054331042 | 5054331041 | 5054331040      | 10                 |
| 5054330846   | 5054330844 | 5054330842 | 5054330841 | 5054330840      | 8                  |
| 発注番号 ORDER NUMBER  |            |            |            |                 | 極数<br>CIRCUIT SIZE |
| 梱包形態 : エンボステープ、リール<br>PACKAGING STYLE : EMBOSSED TAPE AND REEL |            |            |            |                 |                    |

△ 505433\*\*2\*発注番号一覧 ORDER NUMBER LIST

| GREEN  | BLUE       | RED        | BLACK      | NATURAL (BEIGE) | HOUSING COLOR      |
|--|------------|------------|------------|-----------------|--------------------|
| 5054334226   | 5054334224 | 5054334222 | 5054334221 | 5054334220      | 42                 |
| 5054334026   | 5054334024 | 5054334022 | 5054334021 | 5054334020      | 40                 |
| 5054333826   | 5054333824 | 5054333822 | 5054333821 | 5054333820      | 38                 |
| 5054333626   | 5054333624 | 5054333622 | 5054333621 | 5054333620      | 36                 |
| 5054333426   | 5054333424 | 5054333422 | 5054333421 | 5054333420      | 34                 |
| 5054333226   | 5054333224 | 5054333222 | 5054333221 | 5054333220      | 32                 |
| 5054333026   | 5054333024 | 5054333022 | 5054333021 | 5054333020      | 30                 |
| 5054332826   | 5054332824 | 5054332822 | 5054332821 | 5054332820      | 28                 |
| 5054332626   | 5054332624 | 5054332622 | 5054332621 | 5054332620      | 26                 |
| 5054332426   | 5054332424 | 5054332422 | 5054332421 | 5054332420      | 24                 |
| 5054332226   | 5054332224 | 5054332222 | 5054332221 | 5054332220      | 22                 |
| 5054332026   | 5054332024 | 5054332022 | 5054332021 | 5054332020      | 20                 |
| 5054331826   | 5054331824 | 5054331822 | 5054331821 | 5054331820      | 18                 |
| 5054331626   | 5054331624 | 5054331622 | 5054331621 | 5054331620      | 16                 |
| 5054331426   | 5054331424 | 5054331422 | 5054331421 | 5054331420      | 14                 |
| 5054331226   | 5054331224 | 5054331222 | 5054331221 | 5054331220      | 12                 |
| 5054331026   | 5054331024 | 5054331022 | 5054331021 | 5054331020      | 10                 |
| 5054330826   | 5054330824 | 5054330822 | 5054330821 | 5054330820      | 8                  |
| 発注番号 ORDER NUMBER  |            |            |            |                 | 極数<br>CIRCUIT SIZE |
| 梱包形態 : エンボステープ、リール<br>PACKAGING STYLE : EMBOSSED TAPE AND REEL |            |            |            |                 |                    |

|   |  |  |  |   |  |                |  |   |  |
|---|--|--|--|---|--|----------------|--|---|--|
| THIS DRAWING CONTAINS INFORMATION THAT IS PROPRIETARY TO MOLEX ELECTRONIC TECHNOLOGIES, LLC AND SHOULD NOT BE USED WITHOUT WRITTEN PERMISSION |  |  |  |   |  |                |  |   |  |
| DIMENSION UNITS   |  | SCALE  |  | CURRENT REV DESC:   |  |                |  |  |  |
| mm  |  | NTS  |  |   |  |                |  |   |  |
| GENERAL TOLERANCES (UNLESS SPECIFIED)   |  |  |  | EC NO: 736271<br>DRWN: TENAGASE 2023/02/08<br>CHK'D: SAKIYAMA 2023/02/16<br>APPR: AIDA 2023/02/16 |  |                |  | MICRO-LOCK PLUS 1.25 W/B<br>DUAL ROW VERTICAL SMT PLUG ASSEMBLY<br>GOLD PLATING       |  |
| ANGULAR TOL ± 3.0 °   |  |  |  |   |  |                |  |   |  |
| 4 PLACES ± 0.2  |  | 3 PLACES ± 0.2                                       |  | INITIAL REVISION:<br>DRWN: TENAGASE 2020/01/20<br>APPR: KOMURAKAMI 2020/01/21                     |  |                |  | PRODUCT CUSTOMER DRAWING  |  |
| 2 PLACES ± 0.2  |  | 1 PLACE ± 0.2  |  |   |  |                |  |   |  |
| 0 PLACES ± 0.2  |  | DRAFT WHERE APPLICABLE MUST REMAIN WITHIN DIMENSIONS |  | THIRD ANGLE PROJECTION  |  | DRAWING        |  | SERIES  |  |
| DOCUMENT NUMBER   |  | CUSTOMER   |  | MATERIAL NUMBER   |  | SHEET NUMBER   |  | REVISION  |  |
| 5054330003-SD   |  | GENERAL  |  | SEE SHEET 5,6   |  | A3-SIZE 505433 |  | D   |  |