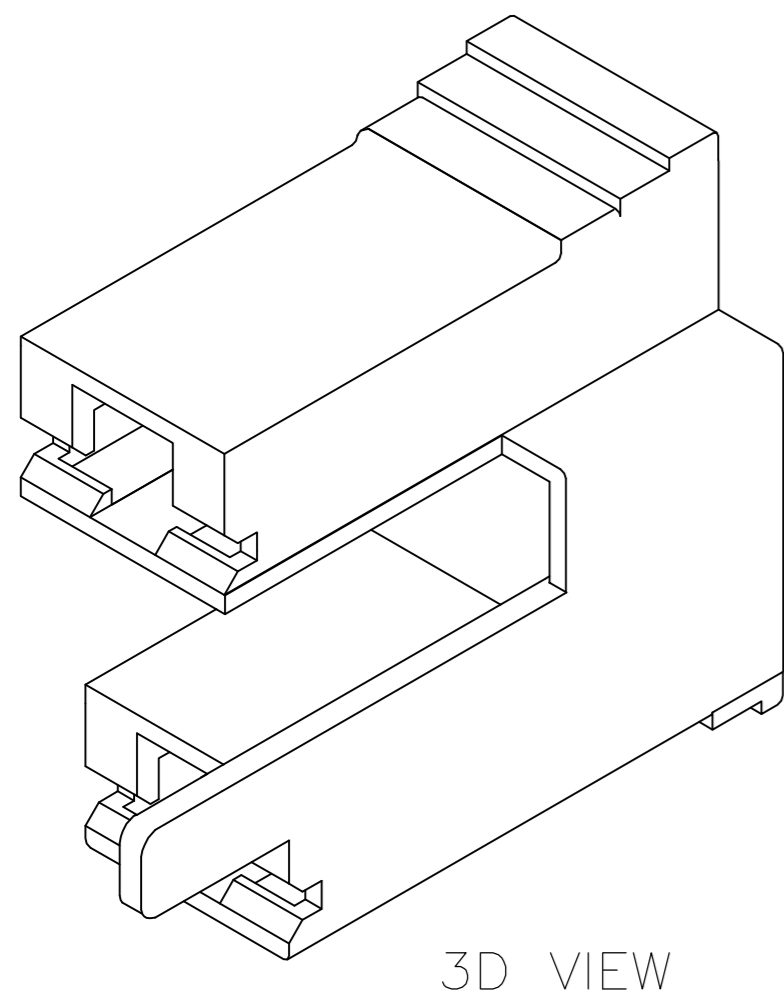
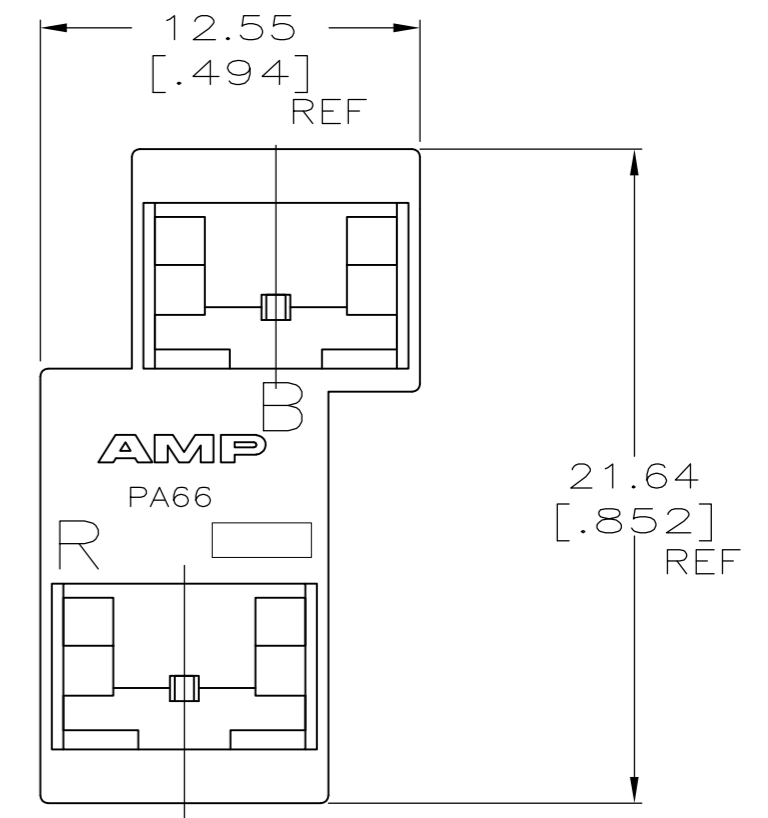
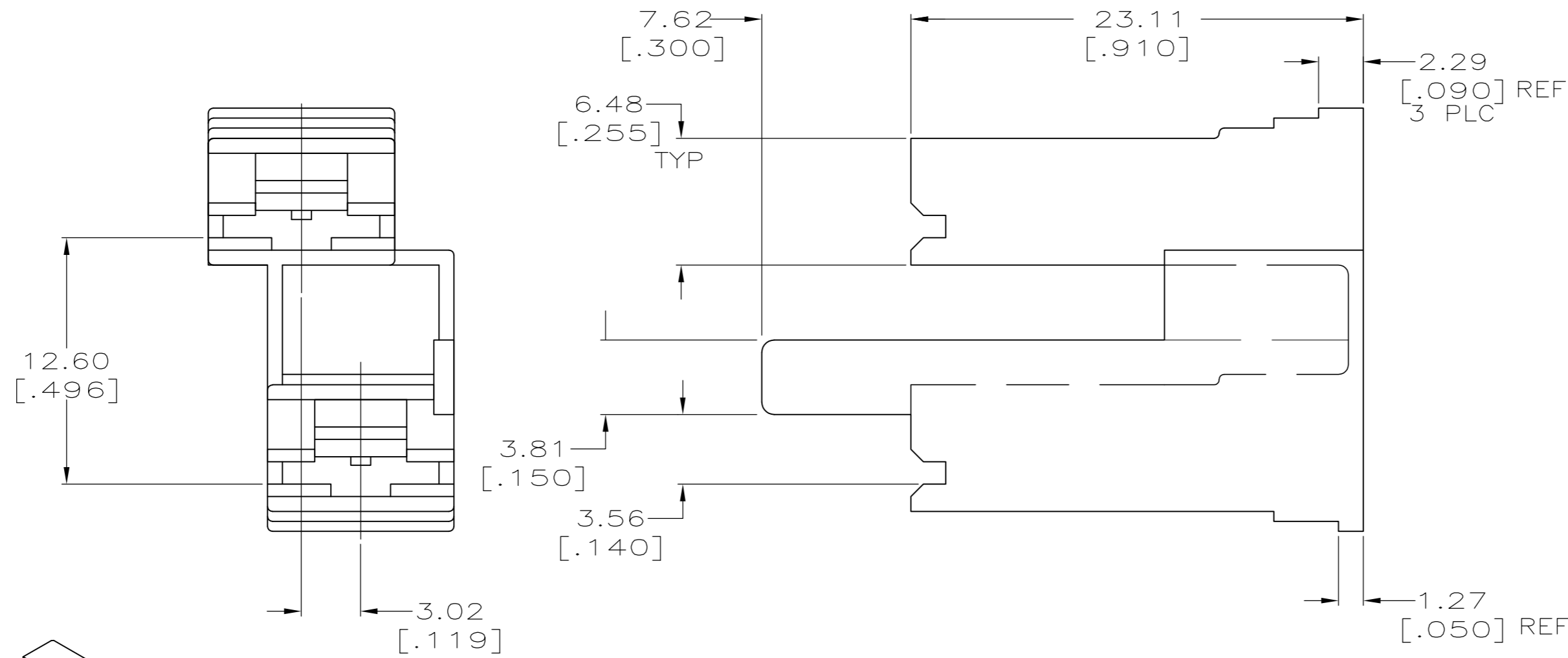
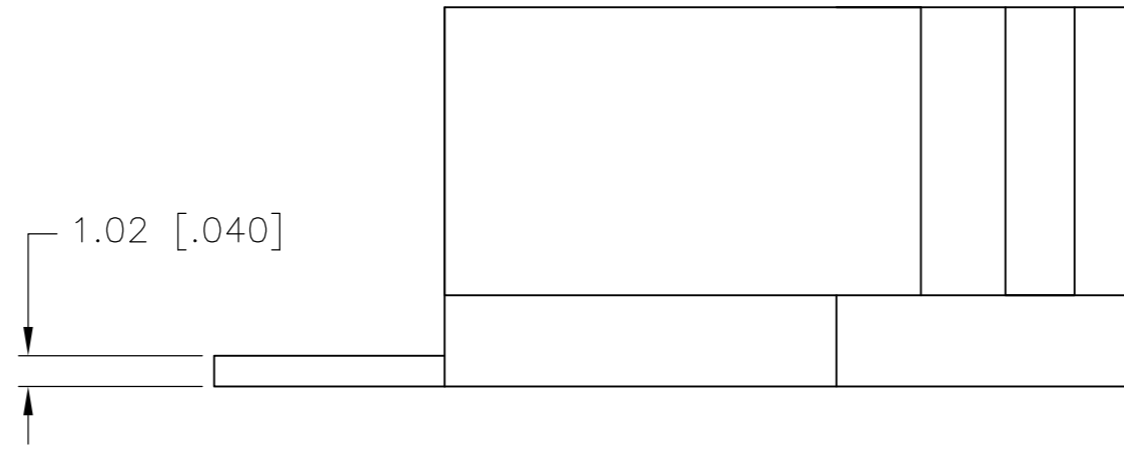


THIS DRAWING IS UNPUBLISHED. RELEASED FOR PUBLICATION
 © COPYRIGHT - TE Connectivity Ltd. ALL RIGHTS RESERVED.

REVISIONS					
P	LTR	DESCRIPTION	DATE	DWN	APVD
S1		REVISED PER ECR-18-002780	15MAR2018	BDA	DS

1 USES TERMINAL P/N 63757-1.
 2 NOT FOR PRODUCTION: AGENCY APPROVAL IS PENDING.



3D VIEW

2	NATURAL	66/6 V0 NATURAL	521358-2
	-	-	521358-1
	COLOR	MATERIAL	PART NO.

THIS DRAWING IS A CONTROLLED DOCUMENT.		DWN	JR RUTH	09OCT00	 TE Connectivity Ltd.	
DIMENSIONS:		CHK	MS FEHER	09OCT00		
mm [INCHES]		APVD	P DESANTIS	09OCT00		
TOLERANCES UNLESS OTHERWISE SPECIFIED:		PRODUCT SPEC				
0 PLC	± -	APPLICATION SPEC			NAME	HOUSING, RECEPT., FASTON, 6.35 [.250] SERIES
1 PLC	± -				SIZE	A2
2 PLC	± 0.25 [.010]				CAGE CODE	00779
3 PLC	± -				DRAWING NO	C=521358
4 PLC	± -				RESTRICTED TO	-
ANGLES	± -				SCALE	4:1
FINISH	NATURAL	WEIGHT			SHEET	1 of 1
MATERIAL	6/6 NYLON	CUSTOMER DRAWING			REV	S1