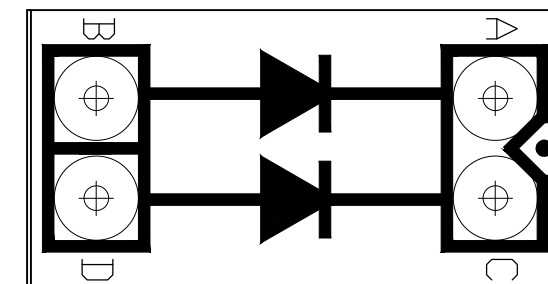
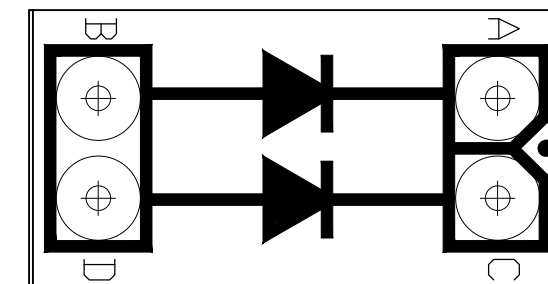


THIS DRAWING IS UNPUBLISHED.		RELEASED FOR PUBLICATION
© COPYRIGHT - TE Connectivity Ltd.		ALL RIGHTS RESERVED.
DESCRIPTION	MATERIAL	FINISH
MODULE ASSEMBLY	EPOXY THERMOSET	COLOR: BLACK
GROMMET	-----	COLOR: WHITE
CONTACT SOCKET	BERYLLIUM COPPER ASTM-B194	GOLD PLATE PER MIL-G-45204
RETAINING CLIP	BERYLLIUM COPPER ASTM-B194 OR STAINLESS STEEL PER QQ-S-766	NONE
DIODE	1N4003	NONE
SEALING PLUGS QTY 2	F.E.P. PER MIL-P-19468	COLOR: RED
PIN CONTACT QTY = 5 P/N M39029/1-101	COPPER ALLOY PER MIL-C-39029	GOLD PLATE PER MIL-C-45204

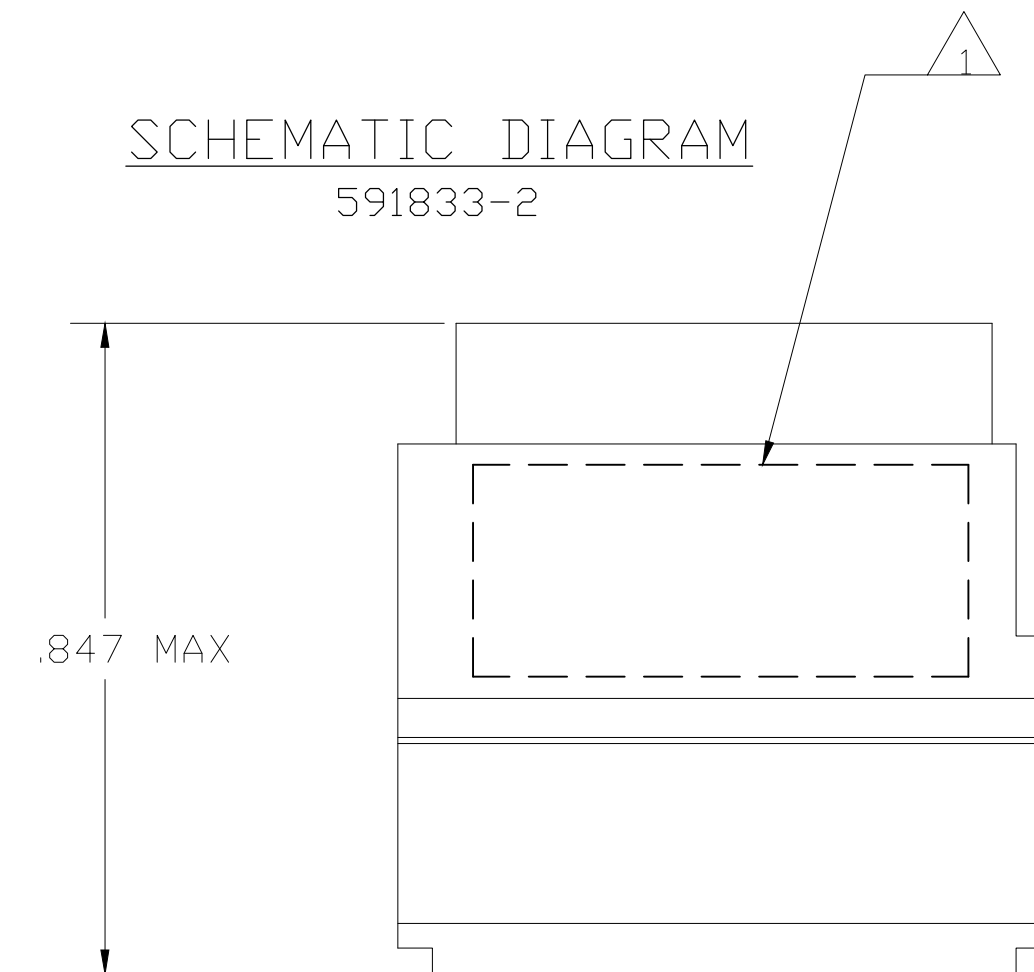
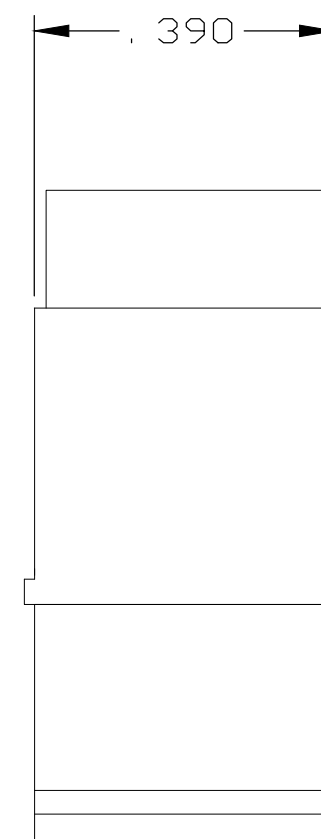
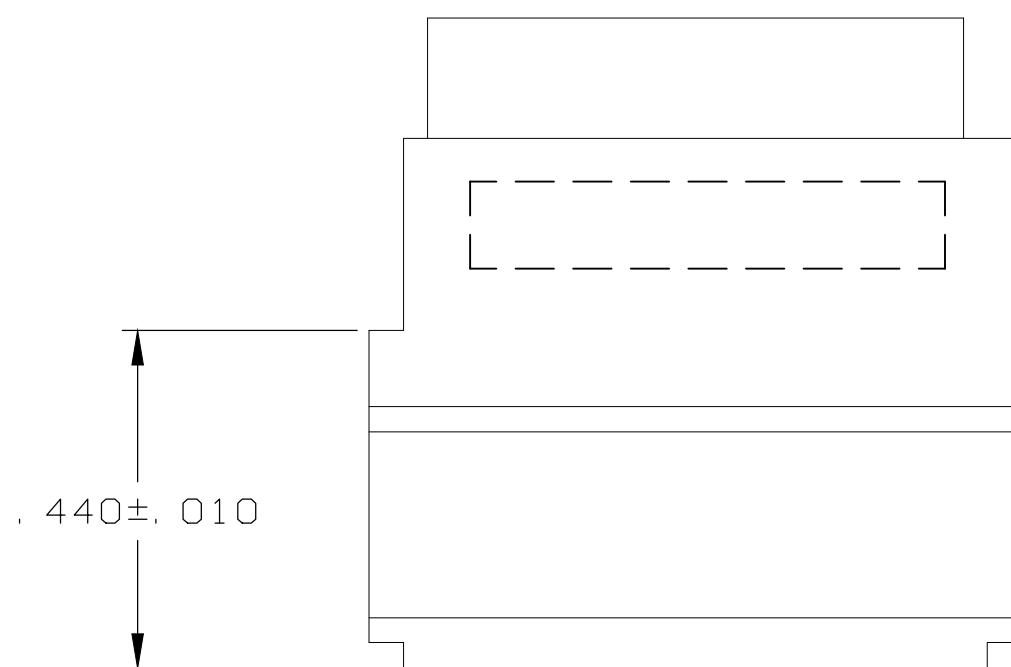
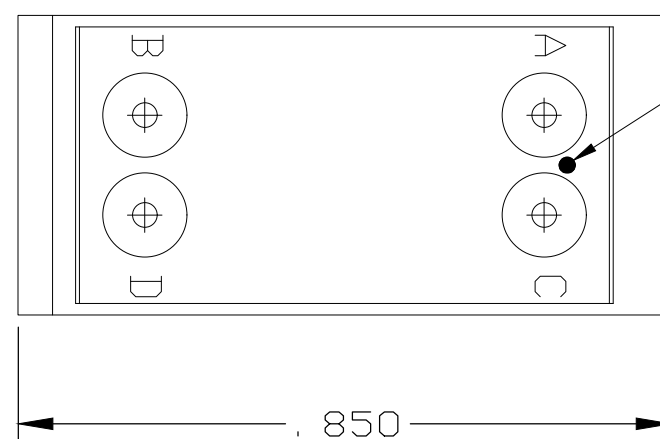
REVISIONS					
P	LTR	DESCRIPTION	DATE	DWN	APVD
F		REV PER ECO 20-001680	2-7-20	CT	VR



SCHMATIC DIAGRAM
591833-1



SCHMATIC DIAGRAM
591833-2



SCHMATIC DIAGRAM
591833-2

1 MARK MODULE ASSEMBLY WITH "TE", TE PART NO. AND DATE CODE

2. MODULE MEETS APPLICABLE REQUIREMENTS OF MIL-T-81714 CLASS "B". ENVIRONMENTS CREATED BY THE OPERATION OF INTERNAL ELECTRONIC COMPONENTS WHICH EXCEED THE MODULE RATED PERFORMANCE ARE THE RESPONSIBILITY OF THE USER. THE ELECTRONIC COMPONENT SPECIFICATION SHOULD BE CONSULTED.

591833-2
591833-1
PART NO.

THIS DRAWING IS A CONTROLLED DOCUMENT.		DWN N. FRITZ 7-31-95				
DIMENSIONS: INCHES		CHK J. HARMAN 7-31-95				
TOLERANCES UNLESS OTHERWISE SPECIFIED:		APVD J. HARMAN 7-31-95	NAME MODULE ASSY, FEED-BACK, SIZE 20 TJ WITH 1N4003 DIODE			
0 PLC ± -		PRODUCT SPEC	SIZE	CAGE CODE	DRAWING NO	RESTRICTED TO
1 PLC ± -		APPLICATION SPEC	A2	00779	C-591833	-
2 PLC ± -			SCALE	SHEET	REV	
3 PLC ± .005			4: 1	1 OF 1	F	
4 PLC ± -						
ANGLES ± -						
MATERIAL	FINISH	WEIGHT	CUSTOMER DRAWING			
-	-	0.000000				