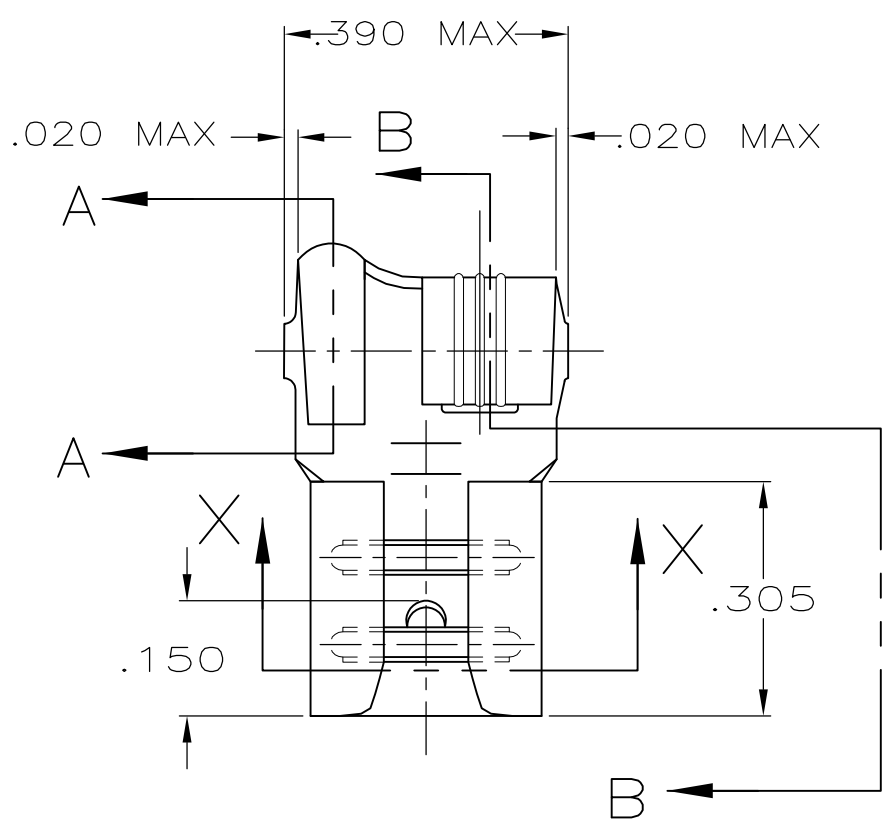


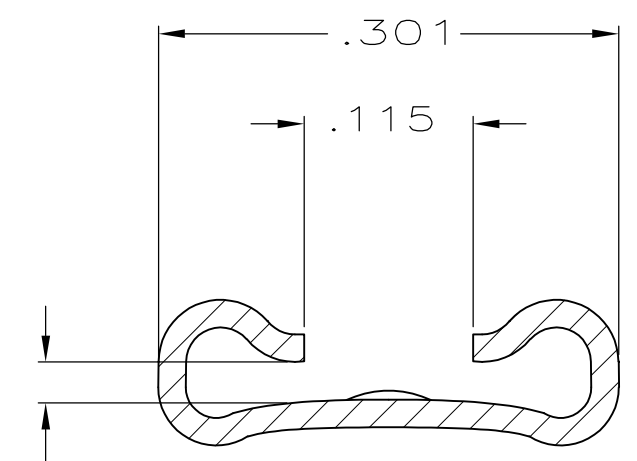
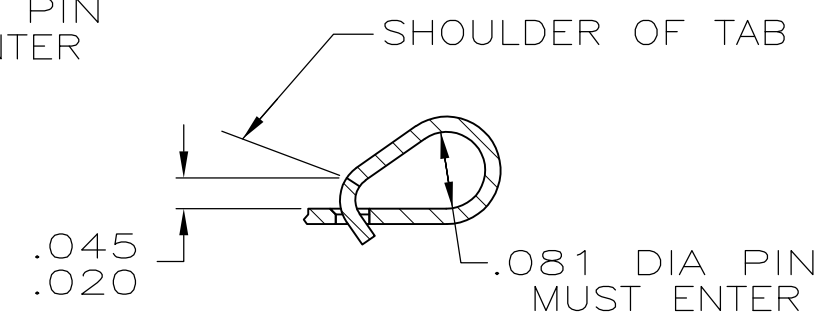
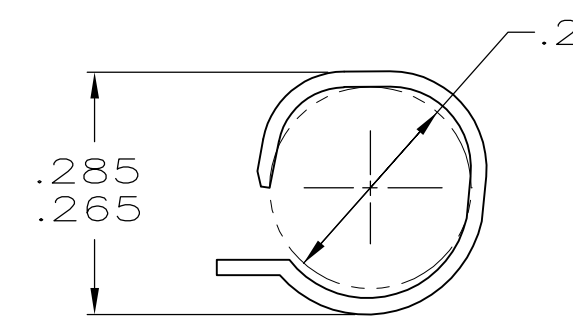
THIS DRAWING IS UNPUBLISHED. RELEASED FOR PUBLICATION  
 © COPYRIGHT - By - ALL RIGHTS RESERVED.

LOC	DIST	REVISIONS			
P	LTR	DESCRIPTION	DATE	DWN	APVD
AF	50	A	REVISED PER ECR-12-013445	18OCT12	KH PD



- 1 SUPPLIED IN LOOSE PIECE
- 2 WIRE SIZE IS #18-#12
- 3 INSULATION RANGE IS .110-.210 DIA.
- 4 MATING TAB THK TO BE .032±.002.

INSULATION SUPPORT AND WIRE BBL TO BE PRE-CRIMPED AS SHOWN IN CUT-OFF OPERATION.



SECTION X-X  
SCALE 8:1

THIS DRAWING IS A CONTROLLED DOCUMENT.		DWN	JR RUTH	11/12/96	42742-1		60102-1		
DIMENSIONS: INCHES		CHK	MS FEHER	11/12/96	STRIP NO.		PART NO		
TOLERANCES UNLESS OTHERWISE SPECIFIED:		APVD	J GILLESPIE	11/12/96	<b>TE Connectivity</b> RECEPTACLE, FASTON,™ FLAG, .250 SERIES				
0 PLC ± - 1 PLC ± - 2 PLC ± - 3 PLC ± .015 4 PLC ± - ANGLES ± -		PRODUCT SPEC	-						
MATERIAL: BRASS		FINISH	-	APPLICATION SPEC	-	SIZE	A3	CAGE CODE	00779
CUSTOMER DRAWING		WEIGHT	-	RESTRICTED TO	-	DRAWING NO	C-60102		
		SCALE		4:1	SHEET		1 OF 1		
						REV		A	