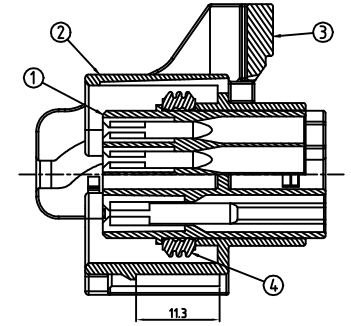
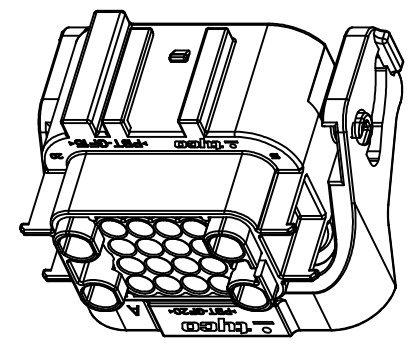
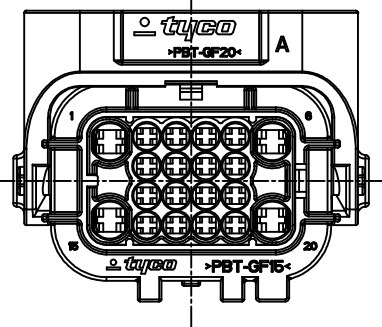
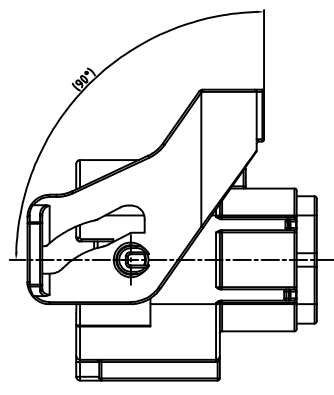
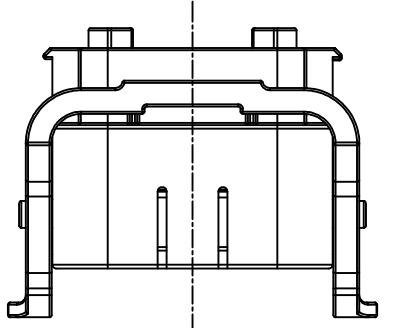


THIS DRAWING IS UNPUBLISHED. RELEASED FOR PUBLICATION
 © COPYRIGHT - TE Connectivity Ltd. ALL RIGHTS RESERVED.

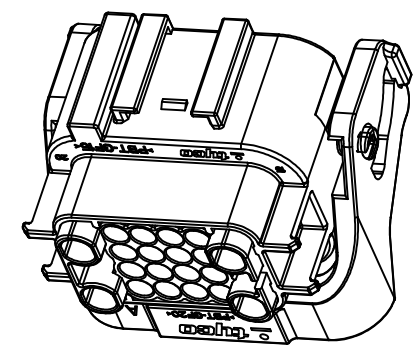
REVISIONS					
#	DATE	DESCRIPTION	BY	APP'D	REV
E1	29 JUN '18	REVISED (ECR-18-010181)	SY	YJ	



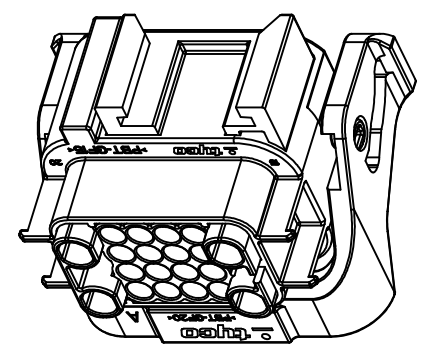
SECTION A-A



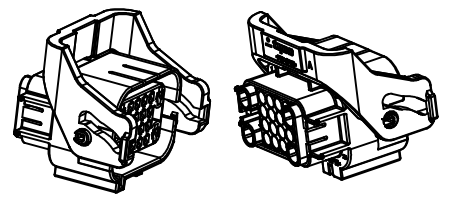
TYPE A
0-936777-2



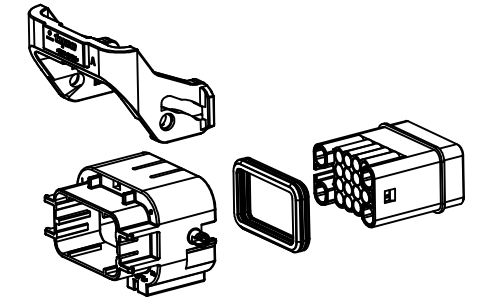
TYPE C (REVERSE CLIP MOUNTING TYPE)
② 2-936777-2



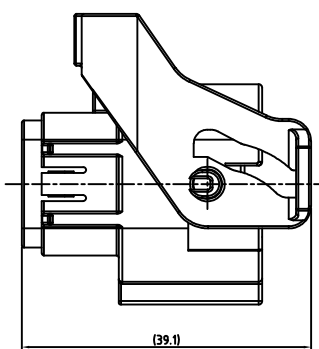
TYPE B (DELPHI CLIP MOUNTING TYPE)
1-936777-2
3D-VIEW Δ



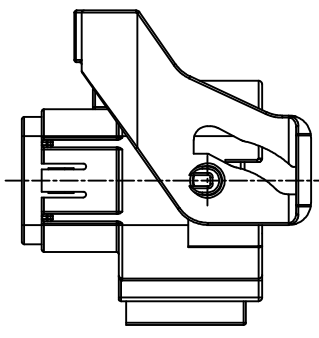
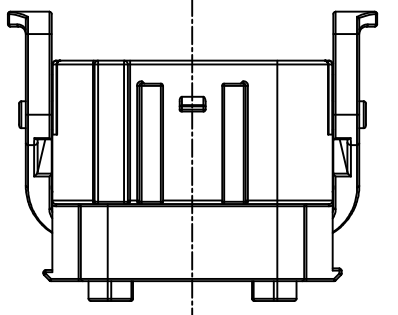
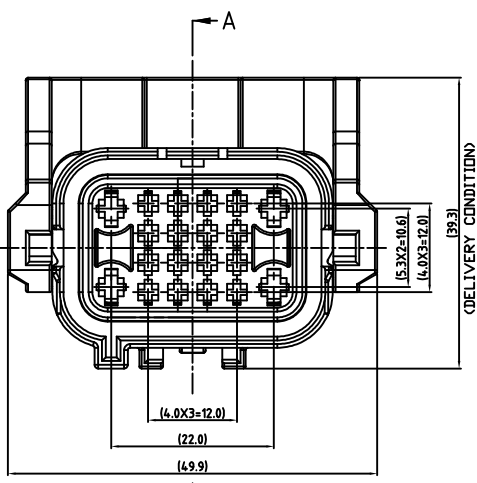
3D-VIEW
SCALE 1:1



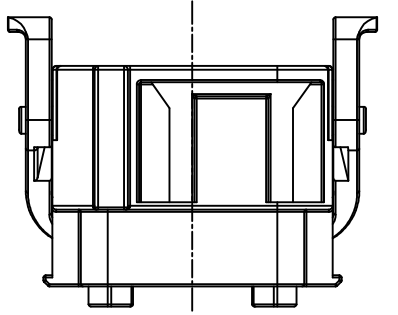
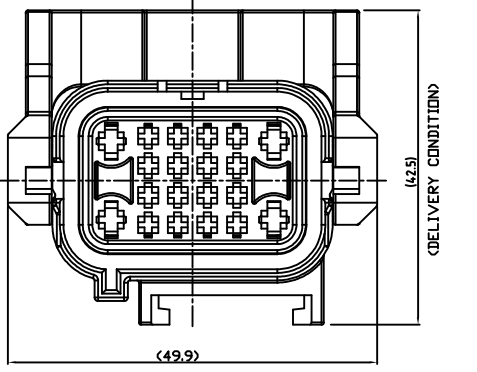
3D-EXPLODE VIEW
SCALE 1:1



TYPE A, C
0/2-936777-2



TYPE B
1-936777-2



<TABLE 1>

TYPE	Part NO.	WIRE SIZE(mm ²)	FINISH
MT II	0-962875-1	0.25-0.5	CuSn4
	0-962875-3		CuSn4(GOLD)
	0-962876-1	0.5-1.0	CuSn4
	0-962876-3		CuSn4(GOLD)
JPT	0-927770-3	0.5-0.85	CuSn4
	2-927770-1		CuSn4(GOLD)
	0-927766-3	1.25-2.0	CuSn4
	2-927766-1		CuSn4(GOLD)

- NOTE
- GENERAL TOLERANCE IS DECIMALS ± 0.3 , ANGLES $\pm 3^\circ$
 - CONDITION OF DELIVERY
 - APPLIED CAP ASS'Y P/N: X-936780-X
APPLIED WIRE COVER P/N: X-936782-X
 - APPLIED RECEPTACLE CONTACT P/N: TABLE 1

NO.	COLOR	MATERIAL	DESCRIPTION	Q'TY		
				ASSY P/N	2-936777-2	1-936777-2
④	-	SILICONE	INNER SEAL	1	1	1
③	GRAY(RAL 7004)	PBT-GF20	LEVER HSG	1	1	1
②	BLACK(RAL 9011)	PBT-GF15	MAIN BODY PLUG HSG (TYPE C)	1	-	-
②	BLACK(RAL 9011)	PBT-GF15	MAIN BODY PLUG HSG (TYPE B)	-	1	-
②	BLACK(RAL 9011)	PBT-GF15	MAIN BODY PLUG HSG (TYPE A)	-	-	1
①	BLACK(RAL 9011)	PBT-GF15	FRONT PLUG HSG	1	1	1

THIS DRAWING IS A CONTROLLED DOCUMENT.

DESIGNER: SY SONG	DATE: -	TE Connectivity Ltd.
CHECKER: DG JEONG	NAME: -	
APPROVER: YI YOUNG	PRODUCT SPEC: -	
APPLICATION SPEC: -	SIZE: A1	DRAWING NO: 00779
WEIGHT: 0	CAGE CODE: -	C=936777
CUSTOMER DRAWING	SCALE: 2:1	SHEET 1 OF 1 REV E1