

General Description

The BDE-WF3235 module, is a 802.11abgn, IPv4 & IPv6 Low Energy module based on CC3235SF SoC.

The module offers a unique combination of lower power, integration of all external components including dual band chip antenna at a very affordable cost.

Created for IoT , the BDE-WF3235 module is a wireless module that integrates two physically separated on-chip MCUs, application processor and network processor.

The BDE-WF3235 module is supported by easy to work with software to lower the threshold of using Wi-Fi technology or speeding up design time significantly.

The combination of affordable cost, lowest power and ease of use makes it an ideal product for the mass market, including the makers community.



Key Features

- Fully integrated and green and RoHS modules include all required clocks, SPI flash, and passives
- 802.11a/b/g/n: 2.4 GHz and 5 GHz
- FIPS 140-2 Level 1 validated IC inside
- Multilayered security features help developers protect identities, data, and software IP
- Low-power modes for battery-powered applications
- Coexistence with 2.4-GHz radios
- Industrial temperature: -40°C to +85°C
- BDE-WF3235 module includes a chip antenna for easy integration into the host system
- 1.27-mm pitch QFM package for easy assembly and low-cost PCB design
- Transferrable Wi-Fi Alliance® certification
- Application microcontroller subsystem:
 - Arm® Cortex®-M4 core at 80 MHz
 - User-dedicated memory:
 - 256KB of RAM
 - Optional 1MB of executable flash
 - Rich set of peripherals and timers:
 - McASP supports two I2S channels
 - SD, SPI, I2C, UART
 - 8-bit synchronous imager interface
 - 4-channel 12-bit ADCs
 - 4 general-purpose timers (GPT) with 16-bit PWM mode
 - Watchdog timer
 - Up to 27 GPIO pins
 - Debug interfaces: JTAG, cJTAG, SWD
- Wi-Fi network processor subsystem:
 - Wi-Fi® core:
 - 802.11 a/b/g/n 2.4 GHz and 5 GHz
 - Modes:
 - Access point (AP)
 - Station (STA)
 - Wi-Fi Direct® (only supported on 2.4GHz)
 - Security:
 - WEP
 - WPA™/ WPA2™ PSK
 - WPA2 Enterprise
 - WPA3™ Personal
 - Internet and application protocols:
 - HTTPs server, mDNS, DNS-SD, DHCP
 - IPv4 and IPv6 TCP/IP stack
 - 16 BSD sockets (fully secured TLS v1.2 and SSL 3.0)
 - Built-in power management subsystem:
 - Configurable low-power profiles (always on, intermittently connected, tag)
 - Advanced low-power modes
 - Integrated DC/DC regulators
- Multilayered security features:
 - Separate execution environments
 - Networking security
 - Device identity and key
 - Hardware accelerator cryptographic engines(AES, DES, SHA/MD5, CRC)
 - File system security (encryption, authentication, access control)
 - Initial secure programming
 - Software tamper detection
 - Secure boot
 - Certificate signing request (CSR)
- Unique per device key pair
- Application throughput
 - UDP: 16 Mbps
 - TCP: 13 Mbps

- Power-Management Subsystem:
 - Integrated DC/DC converters support a wide range of supply voltage:
 - Single wide-voltage supply
VBAT: 2.3 V to 3.6 V
 - Advanced low-power modes:
 - Shutdown: 1 μ A, Hibernate: 5.5 μ A
 - Low-power deep sleep (LPDS):
120 μ A
 - Idle connected (MCU in LPDS):
710 μ A
 - RX traffic (MCU active): 59 mA
 - TX traffic (MCU active): 223 mA
 - Wi-Fi TX power
 - 2.4 GHz: 16 dBm at 1 DSSS
 - 5 GHz: 15.1 dBm at 6 OFDM
- Wi-Fi RX sensitivity
 - 2.4 GHz: -94.5 dBm at 1 DSSS
 - 5 GHz: -89 dBm at 6 OFDM
- Additional integrated components
 - 40.0-MHz crystal
 - 32.768-kHz crystal (RTC)
 - 32Mbit SPI serial flash
 - RF filters, diplexer and passive components
- Footprint-compatible QFM package
 - 1.27-mm pitch, 63-pin, 23mm \times 20.5mm
- Module supports the TI SimpleLink Developer's Ecosystem

Applications

- For Internet of Things applications, such as:
 - Medical and Healthcare
 - Multiparameter Patient Monitor
 - Electrocardiogram (ECG)
 - Electronic Hospital Bed & Bed Control
 - Telehealth Systems
 - Building and Home Automation:
 - HVAC Systems & Thermostat
 - Video Surveillance, Video Doorbells, and Low-Power Camera
 - Building Security Systems and E-locks
 - Appliances
 - Asset Tracking
 - Factory Automation
 - Grid Infrastructure
- Device Family

Device Family

Table 0-1. BDE-WF3235 Device Family

Part Number	Core Chip	Description	Size (mm)	Package
BDE-WF3235SA32	CC3235S	With 32Mbit external flash, with chip antenna	20.5 × 23 × 2.4	SMD-63
BDE-WF3235SAU32	CC3235S	With 32Mbit external flash, with U.FL connector for external antenna	20.5 × 23 × 2.4	SMD-63
BDE-WF3235SN32	CC3235S	With 32Mbit external flash, without antenna	20.5 × 17.5 × 2.4	SMD-63
BDE-WF3235SFA0	CC3235SF	Without external flash, with chip antenna	20.5 × 23 × 2.4	SMD-63
BDE-WF3235SFAU0	CC3235SF	Without external flash, with U.FL connector for external antenna	20.5 × 23 × 2.4	SMD-63
BDE-WF3235SFA32	CC3235SF	With 32Mbit external flash, with chip antenna	20.5 × 23 × 2.4	SMD-63
BDE-WF3235SFAU32	CC3235SF	With 32Mbit external flash, with U.FL connector for external antenna	20.5 × 23 × 2.4	SMD-63
BDE-WF3235SFN0	CC3235SF	Without external flash, without antenna	20.5 × 17.5 × 2.4	SMD-63
BDE-WF3235SFN32	CC3235SF	With 32Mbit external flash, without antenna	20.5 × 17.5 × 2.4	SMD-63

Contents

- General Description 1
- Key Features 1
- Applications..... 2
- Device Family 3
- Contents..... 4
- 1. References..... 6
- 2. Block Diagram 7
- 3. Terminal Configuration and Functions 8
 - 3.1 Pin Diagram 8
 - 3.2 Pin Attributes and Pin Multiplexing 8
 - 3.3 Signal Descriptions 25
 - 3.4 Drive Strength and Reset States for Analog-Digital Multiplexed Pins 31
 - 3.5 Pad State After Application of Power to Chip, but Before Reset Release 31
 - 3.6 Connections for Unused Pins 32
- 4. Specifications 33
 - 4.1 Absolute Maximum Ratings 33
 - 4.2 ESD Ratings..... 34
 - 4.3 Recommended Operating Conditions 34
 - 4.4 Brownout and Blackout Conditions..... 35
 - 4.5 Electrical Characteristics for GPIO Pins 37
 - 4.5.1 Electrical Characteristics for Pin Internal Pullup and Pulldown (25°C)..... 38
 - 4.6 BLE and WLAN Coexistence Requirements 39
 - 4.7 Reset Requirement..... 39
 - 4.8 Timing and Switching Characteristics..... 39
 - 4.8.1 Power-Up Sequencing 39
 - 4.8.2 Power-Down Sequencing 40
 - 4.8.3 Device Reset 40
 - 4.8.4 Wake Up From Hibernate Timing 41
 - 4.8.5 Peripherals Timing..... 42
- 5. Detailed Description..... 55
 - 5.1 Overview 55
 - 5.2 Functional Block Diagram..... 55
 - 5.3 Arm Cortex-M4 Processor Core Subsystem..... 56
 - 5.4 Wi-Fi Network Processor Subsystem..... 57
 - 5.4.1 WLAN 57
 - 5.4.2 Network Stack 57
 - 5.5 Security 59
 - 5.6 Power-Management Subsystem 62
 - 5.6.1 VBAT Wide-Voltage Connection 62
 - 5.7 Low-Power Operating Mode 63
 - 5.8 Memory..... 65
 - 5.8.1 Internal Memory 65
 - 5.9 Restoring Factory Default Configuration 67
 - 5.10 Boot Modes..... 67
 - 5.11 Hostless Mode..... 69
- 6. Applications, Implementation, and Layout 70
 - 6.1 Typical Application..... 70
 - 6.1.1 BLE/2.4 GHz Radio Coexistence 70
 - 6.1.2 Typical Application Schematic..... 71
 - 6.2 Device Connection and Layout Fundamentals..... 73

6.2.1 Power Supply Decoupling and Bulk Capacitors	73
6.2.2 Reset.....	73
6.2.3 Unused Pins.....	73
6.3 PCB Layout Guidelines.....	73
7. Mechanical Specifications	75
7.1 Dimensions.....	75
7.2 PCB Footprint	76
7.3 Marking	76
8. Ordering Information	77
9. Revision History.....	77

1. References

[1] CC3235S resources: <https://www.ti.com/product/CC3235S>

[2] CC3235SF resources: <https://www.ti.com/product/CC3235SF>

2. Block Diagram

BDE-WF3235 module is based on the TI Instruments CC3235SF SoC. With an integrated 32Mbit flash, 40MHz XTAL and a dual band chip antenna, it allows faster time to market at reduced development cost.

The module, as seen in Figure 1, comprises of:

- 32 Mbit SPI Flash
- 40MHz XTAL
- 32.768kHz XTAL
- 2 filters
- a SPDT
- a diplexer
- a dual band chip antenna

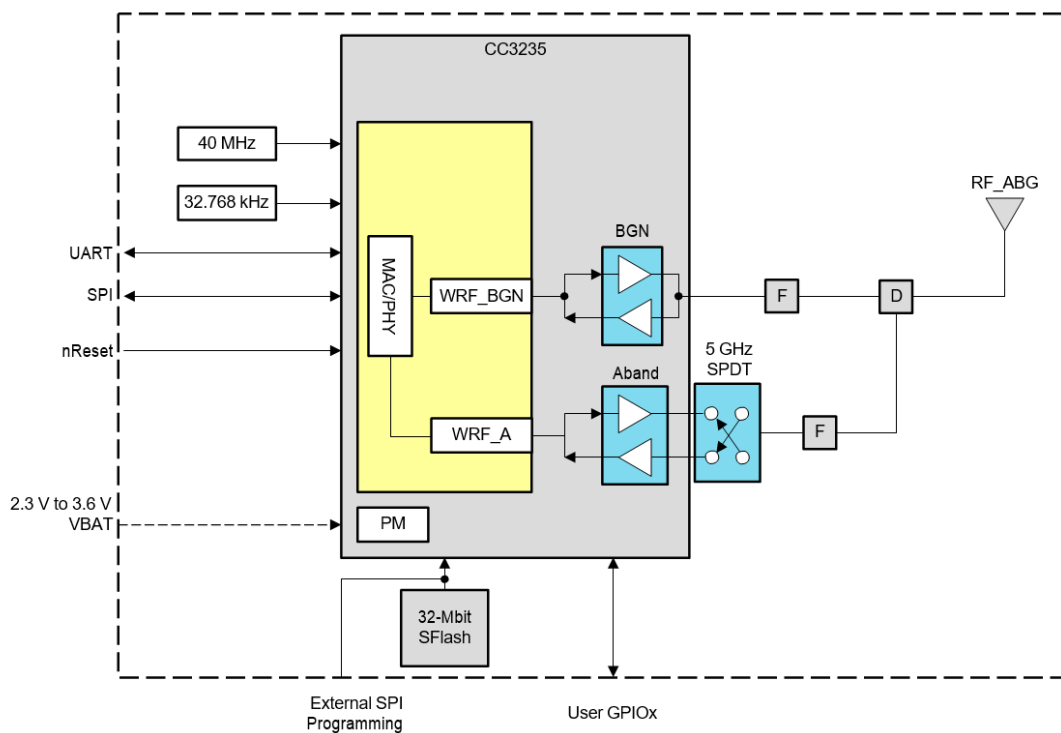


Figure 2-1. BDE-WF3235 Module Block Diagram

3. Terminal Configuration and Functions

3.1 Pin Diagram

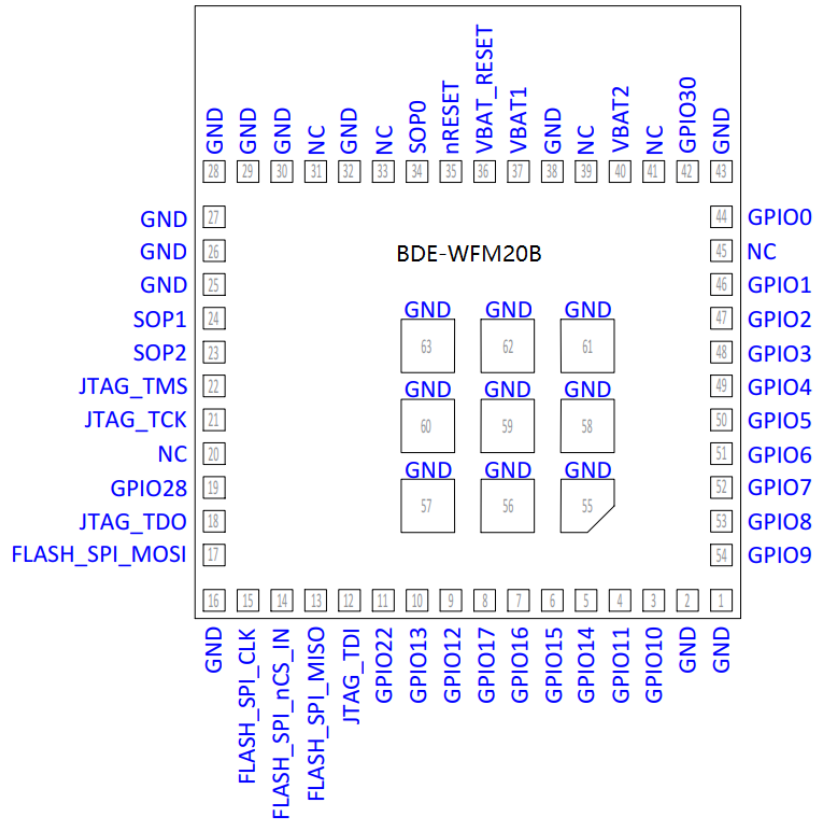


Figure 3-1. Pin Diagram Bottom View

3.2 Pin Attributes and Pin Multiplexing

Table 3-1. Pin Description

Pin #	Pin Name	Type ⁽¹⁾	Description
1	GND	–	Ground
2	GND	–	Ground
3	GPIO10	I/O	GPIO
4	GPIO11	I/O	GPIO ⁽²⁾
5	GPIO14	I/O	GPIO ⁽²⁾
6	GPIO15	I/O	GPIO ⁽²⁾
7	GPIO16	I/O	GPIO ⁽²⁾
8	GPIO17	I/O	GPIO ⁽²⁾
9	GPIO12	I/O	GPIO ⁽²⁾
10	GPIO13	I/O	GPIO ⁽²⁾
11	GPIO22	I/O	GPIO ⁽²⁾
12	JTAG_TDI	I/O	JTAG TDI input. Leave unconnected if not used on product ⁽²⁾

Pin #	Pin Name	Type ⁽¹⁾	Description
13	FLASH_SPI_MISO	I	External serial flash programming: SPI data in
14	FLASH_SPI_nCS_IN	I	External serial flash programming: SPI chip select (active low)
15	FLASH_SPI_CLK	I	External serial flash programming: SPI clock
16	GND	–	Ground
17	FLASH_SPI_MOSI	O	External serial flash programming: SPI data out
18	JTAG_TDO	I/O	JTAG TDO output. Leave unconnected if not used on product ⁽¹⁾
19	GPIO28	I/O	GPIO ⁽²⁾
20	NC	–	No Connect
21	JTAG_TCK	I/O	JTAG TCK input. Leave unconnected if not used on product. ⁽²⁾ An internal 100-kΩ pull-down resistor is tied to this pin.
22	JTAG_TMS	I/O	JTAG TMS input. Leave unconnected if not used on product. ⁽²⁾
23	SOP2	–	An internal 100-kΩ pull-down resistor is tied to this SOP pin. An external 10-kΩ resistor is required to pull this pin high. See Section 5.11 for SOP[2:0] configuration modes.
24	SOP1	–	An internal 100-kΩ pull-down resistor is tied to this SOP pin. An external 10-kΩ resistor is required to pull this pin high. See Section 5.11 for SOP[2:0] configuration modes.
25	GND	–	Ground
26	GND	–	Ground
27	GND	–	Ground
28	GND	–	Ground
29	GND	–	Ground
30	GND	–	Ground
31	NC	–	No Connect
32	GND	–	Ground
33	NC	–	No Connect
34	SOP0	–	An internal 100-kΩ pull-down resistor is tied to this SOP pin. An external 10-kΩ resistor is required to pull this pin high. See Section 5.11 for SOP[2:0] configuration modes.
35	nRESET	I	There is an internal, 100-kΩ pullup resistor option from the nRESET pin to VBAT_RESET. Note: VBAT_RESET is not connected to VBAT1 or VBAT2 within the module. The following connection schemes are recommended:
36	VBAT_RESET	–	<ul style="list-style-type: none"> Connect nRESET to a switch, external controller, or host, only if nRESET will be in a defined state under all operating conditions. Leave VBAT_RESET unconnected to save power. If nRESET cannot be in a defined state under all operating conditions, connect VBAT_RESET to the main module power supply (VBAT1 and VBAT2). Due to the internal pullup resistor a leakage current of 3.3 V / 100 kΩ is expected.
37	VBAT1	Power	Power supply for the module, must be connected to battery (2.3 V to 3.6 V)
38	GND	–	Ground
39	NC	–	No Connect
40	VBAT2	Power	Power supply for the module, must be connected to battery (2.3 V to 3.6 V)
41	NC	–	No Connect
42	GPIO30	I/O	GPIO ⁽²⁾
43	GND	–	Ground

Pin #	Pin Name	Type ⁽¹⁾	Description
44	GPIO0	I/O	GPIO ⁽²⁾
45	NC	–	No Connect
46	GPIO1	I/O	GPIO ⁽²⁾
47	GPIO2	I/O	GPIO ⁽²⁾
48	GPIO3	I/O	GPIO ⁽²⁾
49	GPIO4	I/O	GPIO ⁽²⁾
50	GPIO5	I/O	GPIO ⁽²⁾
51	GPIO6	I/O	GPIO ⁽²⁾
52	GPIO7	I/O	GPIO ⁽²⁾
53	GPIO8	I/O	GPIO ⁽²⁾
54	GPIO9	I/O	GPIO ⁽²⁾
55	GND	–	Thermal ground
56	GND	–	Thermal ground
57	GND	–	Thermal ground
58	GND	–	Thermal ground
59	GND	–	Thermal ground
60	GND	–	Thermal ground
61	GND	–	Thermal ground
62	GND	–	Thermal ground
63	GND	–	Thermal ground

(1) I = input; O = output; I/O = bidirectional

(2) For pin multiplexing details, see [Table 3-2](#).

The module makes extensive use of pin multiplexing to accommodate the large number of peripheral functions in the smallest possible package. To achieve this configuration, pin multiplexing is controlled using a combination of hardware configuration (at module reset) and register control.

The board and software designers are responsible for the proper pin multiplexing configuration. Hardware does not ensure that the proper pin multiplexing options are selected for the peripherals or interface mode used. [Table 3-2](#) describes the general pin attributes and presents an overview of pin multiplexing. All pin multiplexing options are configurable using the pin MUX registers. The following special considerations apply:

- All I/Os support drive strengths of 2, 4, and 6 mA. Drive strength is individually configurable for each pin.
- All I/Os support 10- μ A pullup and pulldown resistors.
- By default, all I/Os float in the Hibernate state. However, the default state can be changed by SW.
- All digital I/Os are non fail-safe.

Note

If an external device drives a positive voltage to the signal pads and the BDE-WF3235 module is not powered, DC is drawn from the other device. If the drive strength of the external device is adequate, an unintentional wakeup and boot of the BDE-WF3235 module can occur. To prevent current draw, we recommend any one of the following conditions:

- All devices interfaced to the BDE-WF3235 module must be powered from the same power rail as the chip.
- Use level shifters between the device and any external devices fed from other independent rails.
- The nRESET pin of the BDE-WF3235 module must be held low until the VBAT supply to the module is driven and stable.
- All GPIO pins default to high impedance unless programmed by the MCU. The bootloader sets the TDI, TDO, TCK, TMS, and Flash_SPI pins to mode 1. All the other pins are left in the Hi-Z state.

The ADC inputs are tolerant up to 1.8 V (see [Table 4-17](#) for more details about the usable range of the ADC). On the other hand, the digital pads can tolerate up to 3.6 V. Hence, take care to prevent accidental damage to the ADC inputs. We recommend first disabling the output buffers of the digital I/Os corresponding to the desired ADC channel (that is, converted to Hi-Z state), and thereafter disabling the respective pass switches (S7 [Pin 47], S8 [Pin 48], S9 [Pin 49], and S10 [Pin 50]). For more information, see [Table 3-4](#).

Table 3-2. Pin Attributes and Pin Multiplexing

GENERAL PIN ATTRIBUTES						FUNCTION					PAD STATES		
kg. Pin	Pin Alias	Use	Select as Wakeup Source	Config. Addl. Analog Mux	Muxed With JTAG	Dig. Pin Mux Config. Reg.	Dig. Pin Mux Config. Mode Value	Signal Name	Signal Description	Signal Direction	LPDS	Hib	nRESET = 0
1	GND	GND	N/A	N/A	N/A	N/A	N/A	GND	GND	N/A	N/A	N/A	N/A
2	GND	GND	N/A	N/A	N/A	N/A	N/A	GND	GND	N/A	N/A	N/A	N/A
3	GPIO10	I/O	No	No	No	GPIO_PAD_CONFIG_10 (0x4402 E0C8)	0	GPIO10	GPIO	I/O	Hi-Z, Pull, Drive	Hi-Z, Pull, Drive	Hi-Z
							1	I2C_SCL	I2C clock	I/O (open drain)	Hi-Z, Pull, Drive		
							3	GT_PWM06	Pulse-width modulated O/P	O	Hi-Z, Pull, Drive		
							7	UART1_TX	UART TX data	O	1		
							6	SDCARD_CLK	SD card clock	O	0		
							12	GT_CCP01	Timer capture port	I	Hi-Z, Pull, Drive		

GENERAL PIN ATTRIBUTES						FUNCTION					PAD STATES		
Pkg. Pin	Pin Alias	Use	Select as Wakeup Source	Config. Addl. Analog Mux	Muxed With JTAG	Dig. Pin Mux Config. Reg.	Dig. Pin Mux Config. Mode Value	Signal Name	Signal Description	Signal Direction	LPDS	Hib	nRESET = 0
4	GPIO11	I/O	Yes	No	No	GPIO_PAD_CONFIG_11 (0x4402 E0CC)	0	GPIO11	GPIO	I/O	Hi-Z, Pull, Drive	Hi-Z, Pull, Drive	Hi-Z
							1	I2C_SDA	I2C data	I/O (open drain)	Hi-Z, Pull, Drive		
							3	GT_PWM07	Pulse-width modulated O/P	O	Hi-Z, Pull, Drive		
							4	pXCLK (XVCLK)	Free clock to parallel camera	O	0		
							6	SDCARD_CMD	SD card command line	I/O (open drain)	Hi-Z, Pull, Drive		
							7	UART1_RX	UART RX data	I	Hi-Z, Pull, Drive		
							12	GT_CCP02	Timer capture port	I	Hi-Z, Pull, Drive		
							13	MCAFSX	I2S audio port frame sync	O	Hi-Z, Pull, Drive		
5	GPIO14	I/O	No	No	No	GPIO_PAD_CONFIG_14 (0x4402 E0D8)	0	GPIO14	GPIO	I/O	Hi-Z, Pull, Drive	Hi-Z, Pull, Drive	Hi-Z
							5	I2C_SCL	I2C clock	I/O (open drain)			
							7	GSPI_CLK	General SPI clock	I/O			
							4	pDATA8(CAM_D4)	Parallel camera data bit 4	I			
							12	GT_CCP05	Timer capture port	I			

GENERAL PIN ATTRIBUTES						FUNCTION					PAD STATES		
Pkg. Pin	Pin Alias	Use	Select as Wakeup Source	Config. Addl. Analog Mux	Muxed With JTAG	Dig. Pin Mux Config. Reg.	Dig. Pin Mux Config. Mode Value	Signal Name	Signal Description	Signal Direction	LPDS	Hib	nRESET = 0
6	GPIO15	I/O	No	No	No	GPIO_PAD_CONFIG_15 (0x4402 E0DC)	0	GPIO15	GPIO	I/O	Hi-Z, Pull, Drive	Hi-Z, Pull, Drive	Hi-Z
							5	I2C_SDA	I2C data	I/O (open drain)			
							7	GSPI_MISO	General SPI MISO	I/O			
							4	pDATA9 (CAM_D5)	Parallel camera data bit 5	I			
							13	GT_CCP06	Timer capture port	I			
							8	SDCARD_DATA0	SD card data	I/O			
7	GPIO16	I/O	No	No	No	GPIO_PAD_CONFIG_16 (0x4402 E0E0)	0	GPIO16	GPIO	I/O	Hi-Z, Pull, Drive	Hi-Z, Pull, Drive	Hi-Z
											Hi-Z, Pull, Drive		
											Hi-Z, Pull, Drive		
							7	GSPI_MOSI	General SPI MOSI	I/O	Hi-Z, Pull, Drive		
							4	pDATA10 (CAM_D6)	Parallel camera data bit 6	I	Hi-Z, Pull, Drive		
							5	UART1_TX	UART1 TX data	O	1		
					Hi-Z, Pull, Drive								
						8	SDCARD_CLK	SD card clock	O	Zero			

GENERAL PIN ATTRIBUTES						FUNCTION					PAD STATES		
Pkg. Pin	Pin Alias	Use	Select as Wakeup Source	Config. Addl. Analog Mux	Muxed With JTAG	Dig. Pin Mux Config. Reg.	Dig. Pin Mux Config. Mode Value	Signal Name	Signal Description	Signal Direction	LPDS	Hib	nRESET = 0
8	GPIO17	I/O	Yes	No	No	GPIO_PAD_CONFIG_17 (0x4402 E0E4)	0	GPIO17	GPIO	I/O	Hi-Z, Pull, Drive	Hi-Z, Pull, Drive	Hi-Z
							5	UART1_RX	UART1 RX data	I			
							7	GSPI_CS	General SPI chip select	I/O			
							4	pDATA11 (CAM_D7)	Parallel camera data bit 7	I			
							8	SDCARD_CMD	SD card command line	I/O			
9	GPIO12	I/O	No	No	No	GPIO_PAD_CONFIG_12 (0x4402 E0D0)	0	GPIO12	GPIO	I/O	Hi-Z, Pull, Drive	Hi-Z, Pull, Drive	Hi-Z
							3	McACLK	I ² S audio port clock output	O	Hi-Z, Pull, Drive		
							4	pVS (VSYNC)	Parallel camera vertical sync	I	Hi-Z, Pull, Drive		
							5	I2C_SCL	I ² C clock	I/O (open drain)	Hi-Z, Pull, Drive		
							7	UART0_TX	UART0 TX data	O	1		
							12	GT_CCP03	Timer capture port	I	Hi-Z, Pull, Drive		
10	GPIO13	I/O	Yes	No	No	GPIO_PAD_CONFIG_13 (0x4402 E0D4)	0	GPIO13	GPIO	I/O	Hi-Z, Pull, Drive	Hi-Z, Pull, Drive	Hi-Z
							5	I2C_SDA	I ² C data	I/O (open drain)			
							4	pHS (HSYNC)	Parallel camera horizontal sync	I			
							7	UART0_RX	UART0 RX data	I			

							12	GT_CCP04	Timer capture port	I			
--	--	--	--	--	--	--	----	----------	--------------------	---	--	--	--

GENERAL PIN ATTRIBUTES						FUNCTION					PAD STATES		
Pkg. Pin	Pin Alias	Use	Select as Wakeup Source	Config. Addl. Analog Mux	Muxed With JTAG	Dig. Pin Mux Config. Reg.	Dig. Pin Mux Config. Mode Value	Signal Name	Signal Description	Signal Direction	LPDS	Hib	nRESET = 0
11	GPIO22	I/O	No	No	No	GPIO_PAD_CONFIG_22 (0x4402 E0F8)	0	GPIO22	GPIO	I/O	Hi-Z, Pull, Drive	Hi-Z, Pull, Drive	Hi-Z
							7	McAFSX	I2S audio port frame sync	O			
							5	GT_CCP04	Timer capture port	I			
12	JTAG_TDI	I/O	No	No	Muxed with JTAG TDI	GPIO_PAD_CONFIG_23 (0x4402 E0FC)	1	TDI	JTAG TDI. Reset default pinout.	I	Hi-Z, Pull, Drive	Hi-Z, Pull, Drive	Hi-Z
							0	GPIO23	GPIO	I/O			
							2	UART1_TX	UART1 TX data	O	1		
							9	I2C_SCL	I2C clock	I/O (open drain)	Hi-Z, Pull, Drive		
13	FLASH_SPI_MISO	N/A	N/A	N/A	N/A	N/A	N/A	FLASH_SPI_MISO	Data from SPI serial flash (fixed default)	N/A	Hi-Z	Hi-Z	Hi-Z
14	FLASH_SPI_nCS_IN	N/A	N/A	N/A	N/A	N/A	N/A	FLASH_SPI_nCS_IN	Chip select to SPI serial flash (fixed default)	N/A	1	Hi-Z, Pull, Drive	Hi-Z
15	FLASH_SPI_CLK	N/A	N/A	N/A	N/A	N/A	N/A	FLASH_SPI_CLK	Clock to SPI serial flash (fixed default)	N/A	Hi-Z, Pull, Drive	Hi-Z, Pull, Drive	Hi-Z
16	GND	GND	N/A	N/A	N/A	N/A	N/A	GND	GND	N/A	N/A	N/A	N/A
17	FLASH_SPI_MOSI	N/A	N/A	N/A	N/A	N/A	N/A	FLASH_SPI_MOSI	Data to SPI serial flash (fixed default)	N/A	Hi-Z, Pull, Drive	Hi-Z, Pull, Drive	Hi-Z

GENERAL PIN ATTRIBUTES						FUNCTION					PAD STATES		
Pkg. Pin	Pin Alias	Use	Select as Wakeup Source	Config. Addl. Analog Mux	Muxed With JTAG	Dig. Pin Mux Config. Reg.	Dig. Pin Mux Config. Mode Value	Signal Name	Signal Description	Signal Direction	LPDS	Hib	nRESET = 0
18	JTAG_TDO	I/O	Yes	No	Muxed with JTAG TDO	GPIO_PAD_CONFIG_ 24 (0x4402 E100)	1	TDO	JTAG TDO. Reset default pinout.	O	Hi-Z, Pull, Drive	Driven high in SWD; driven low in 4-wire JTAG	Hi-Z
							0	GPIO24	GPIO	I/O			
							5	PWM0	Pulse-width modulated O/P	O			
							2	UART1_RX	UART1 RX data	I			
							9	I2C_SDA	I2C data	I/O (open drain)			
							4	GT_CCP06	Timer capture port	I			
							6	McAFSX	I2S audio port frame sync	O			
19	GPIO28	I/O	No	No	No	GPIO_PAD_CONFIG_ 40 (0x4402 E140)	0	GPIO28	GPIO	I/O	Hi-Z, Pull, Drive	Hi-Z, Pull, Drive	Hi-Z
20	NC	WLAN analog	N/A	N/A	N/A	N/A	N/A	NC	Reserved	N/A	N/A	N/A	N/A
21	JTAG_TCK	I/O	No	No	Muxed with JTAG/ SWD- TCK	GPIO_PAD_CONFIG_ 28 (0x4402 E110)	1	TCK	JTAG/SWD TCK. Reset default pinout.	I	Hi-Z, Pull, Drive	Hi-Z, Pull, Drive	Hi-Z
							8	GT_PWM03	Pulse-width modulated O/P	O			
22	JTAG_TMS	I/O	No	No	Muxed with JTAG/ SWD- TMSC	GPIO_PAD_CONFIG_ 29 (0x4402 E114)	1	TMS	JTAG/SWD TMS. Reset default pinout.	I/O	Hi-Z, Pull, Drive	Hi-Z, Pull, Drive	Hi-Z
							0	GPIO29	GPIO				

GENERAL PIN ATTRIBUTES						FUNCTION					PAD STATES		
Pkg. Pin	Pin Alias	Use	Select as Wakeup Source	Config. Addl. Analog Mux	Muxed With JTAG	Dig. Pin Mux Config. Reg.	Dig. Pin Mux Config. Mode Value	Signal Name	Signal Description	Signal Direction	LPDS	Hib	nRESET = 0
23	SOP2	O only	No	No	No	GPIO_PAD_CONFIG_25 (0x4402 E104)	0	GPIO25	GPIO	O	Hi-Z, Pull, Drive	Driven Low	Hi-Z
							9	GT_PWM02	Pulse-width modulated O/P	O	Hi-Z, Pull, Drive		
							2	McAFSX	I2S audio port frame sync	O	Hi-Z, Pull, Drive		
								TCXO_EN	Enable to optional external 40-MHz TCXO	O	0		
								SOP2	Sense-on-power 2	I	Hi-Z, Pull, Drive		
24	SOP1	Config sense	N/A	N/A	N/A	N/A	N/A	SOP1	Sense-on-power 1	N/A	N/A	N/A	N/A
25	GND	GND	N/A	N/A	N/A	N/A	N/A	GND	GND	N/A	N/A	N/A	N/A
26	GND	GND	N/A	N/A	N/A	N/A	N/A	GND	GND	N/A	N/A	N/A	N/A
27	GND	GND	N/A	N/A	N/A	N/A	N/A	GND	GND	N/A	N/A	N/A	N/A
28	GND	GND	N/A	N/A	N/A	N/A	N/A	GND	GND	N/A	N/A	N/A	N/A
29	GND	GND	N/A	N/A	N/A	N/A	N/A	GND	GND	N/A	N/A	N/A	N/A
30	GND	GND	N/A	N/A	N/A	N/A	N/A	GND	GND	N/A	N/A	N/A	N/A
31	NC	WLAN analog	N/A	N/A	N/A	N/A		NC	Reserved				
32	GND	GND	N/A	N/A	N/A	N/A	N/A	GND	GND	N/A	N/A	N/A	N/A
33	NC	WLAN analog	N/A	N/A	N/A	N/A		NC	Reserved				
34	SOP0	Config sense	N/A	N/A	N/A	N/A	N/A	SOP0	Sense-on-power 0	N/A	N/A	N/A	N/A

35	nRESET	Global reset	N/A	N/A	N/A	N/A	N/A	nRESET	Master chip reset. Active low.	N/A	N/A	N/A	N/A
36	VBAT_RESET	Global reset	N/A	N/A	N/A	N/A	N/A	VBAT_RESET	VBAT to nRESET pullup resistor	N/A	N/A	N/A	N/A

GENERAL PIN ATTRIBUTES						FUNCTION					PAD STATES		
Pkg. Pin	Pin Alias	Use	Select as Wakeup Source	Config. Addl. Analog Mux	Muxed With JTAG	Dig. Pin Mux Config. Reg.	Dig. Pin Mux Config. Mode Value	Signal Name	Signal Description	Signal Direction	LPDS	Hib	nRESET = 0
37	VBAT1	Supply input	N/A	N/A	N/A	N/A	N/A	VBAT1	Analog DC/DC input (connected to chip input supply [VBAT])	N/A	N/A	N/A	N/A
38	GND	GND	N/A	N/A	N/A	N/A	N/A	GND	GND	N/A	N/A	N/A	N/A
39	NC	WLAN analog	N/A	N/A	N/A	N/A	N/A	NC	Reserved	N/A	N/A	N/A	N/A
40	VBAT2	Supply input	N/A	N/A	N/A	N/A	N/A	VBAT2	Analog input supply VBAT	N/A	N/A	N/A	N/A
41	NC	WLAN analog	N/A	N/A	N/A	N/A	N/A	NC	Reserved	N/A	N/A	N/A	N/A
42	GPIO30	I/O	No	User config not required	No	GPIO_PAD_CONFIG_30 (0x4402 E118)	0	GPIO30	GPIO	I/O	Hi-Z, Pull, Drive	Hi-Z, Pull, Drive	Hi-Z
							9	UART0_TX	UART0 TX data	O	1		
							2	McACLK	I2S audio port clock	O	Hi-Z, Pull, Drive		
							3	McAFSX	I2S audio port frame sync	O	Hi-Z, Pull, Drive		
							4	GT_CCP05	Timer capture port	I	Hi-Z, Pull, Drive		
							7	GSPI_MISO	General SPI MISO	I/O	Hi-Z, Pull, Drive		
43	GND	GND	N/A	N/A	N/A	N/A	N/A	GND	GND	N/A	N/A	N/A	N/A

GENERAL PIN ATTRIBUTES						FUNCTION					PAD STATES		
Pkg. Pin	Pin Alias	Use	Select as Wakeup Source	Config. Addl. Analog Mux	Muxed With JTAG	Dig. Pin Mux Config. Reg.	Dig. Pin Mux Config. Mode Value	Signal Name	Signal Description	Signal Direction	LPDS	Hib	nRESET = 0
44	GPIO0	I/O	No	User config not required	No	GPIO_PAD_CONFIG_0 (0x4402 E0A0)	0	GPIO0	GPIO	I/O	Hi-Z, Pull, Drive	Hi-Z, Pull, Drive	Hi-Z
							12	UART0_CTS	UART0 Clear-to- Send input (active low)	I	Hi-Z, Pull, Drive	Hi-Z, Pull, Drive	Hi-Z
							6	McAXR1	I2S audio port data 1 (RX/TX)	I/O	Hi-Z, Pull, Drive		
							7	GT_CCP00	Timer capture port	I	Hi-Z, Pull, Drive		
							9	GSPI_CS	General SPI chip select	I/O	Hi-Z, Pull, Drive		
							10	UART1_RTS	UART1 Request-to-Send (active low)	O	1		
							3	UART0_RTS	UART0 Request-to-Send (active low)	O	1		
							4	McAXR0	I2S audio port data 0 (RX/TX)	I/O	Hi-Z, Pull, Drive		
45	NC	WLAN	N/A	N/A	N/A	N/A	NC	Reserved	N/A	N/A	N/A	N/A	
46	GPIO1	I/O	No	No	No	GPIO_PAD_CONFIG_1 (0x4402 E0A4)	0	GPIO1	GPIO	I/O	Hi-Z, Pull, Drive	Hi-Z, Pull, Drive	Hi-Z
							3	UART0_TX	UART0 TX data	O	1		

							4	pCLK (PIXCLK)	Pixel clock from parallel camera sensor	I	Hi-Z, Pull, Drive		
							6	UART1_TX	UART1 TX data	O	1		
							7	GT_CCP01	Timer capture port	I	Hi-Z, Pull, Drive		

GENERAL PIN ATTRIBUTES						FUNCTION					PAD STATES		
Pkg. Pin	Pin Alias	Use	Select as Wakeup Source	Config. Addl. Analog Mux	Muxed With JTAG	Dig. Pin Mux Config. Reg.	Dig. Pin Mux Config. Mode Value	Signal Name	Signal Description	Signal Direction	LPDS	Hib	nRESET = 0
47	GPIO2	Analog input (up to 1.8 V)/ digital I/O	Yes		No	GPIO_PAD_CONFIG_2 (0x4402 E0A8)		ADC_CH0	ADC channel 0 input (1.5-V max)	I	Hi-Z, Pull, Drive	Hi-Z, Pull, Drive	Hi-Z
							0	GPIO2	GPIO	I/O	Hi-Z, Pull, Drive		
							3	UART0_RX	UART0 RX data	I	Hi-Z, Pull, Drive		
							6	UART1_RX	UART1 RX data	I	Hi-Z, Pull, Drive		
							7	GT_CCP02	Timer capture port	I	Hi-Z, Pull, Drive		
48	GPIO3	Analog input (up to 1.8 V)/ digital I/O	No		No	GPIO_PAD_CONFIG_3 (0x4402 E0AC)		ADC_CH1	ADC channel 1 input (1.5-V max)	I	Hi-Z, Pull, Drive	Hi-Z, Pull, Drive	Hi-Z
							0	GPIO3	GPIO	I/O	Hi-Z, Pull, Drive		
							6	UART1_TX	UART1 TX data	O	1		
							4	pDATA7 (CAM_D3)	Parallel camera data bit 3	I	Hi-Z, Pull, Drive		

GENERAL PIN ATTRIBUTES						FUNCTION					PAD STATES		
Pkg. Pin	Pin Alias	Use	Select as Wakeup Source	Config. Addl. Analog Mux	Muxed With JTAG	Dig. Pin Mux Config. Reg.	Dig. Pin Mux Config. Mode Value	Signal Name	Signal Description	Signal Direction	LPDS	Hib	nRESET = 0
49	GPIO4	Analog input (up to 1.8 V)/ digital I/O	Yes		Yes	GPIO_PAD_CONFIG_4 (0x4402 E0B0)		ADC_CH2	ADC channel 2 input (1.5-V max)	I	Hi-Z, Pull, Drive	Hi-Z, Pull, Drive	Hi-Z
							0	GPIO4	GPIO	I/O	Hi-Z, Pull, Drive		
							6	UART1_RX	UART1 RX data	I	Hi-Z, Pull, Drive		
							4	pDATA6 (CAM_D2)	Parallel camera data bit 2	I	Hi-Z, Pull, Drive		
50	GPIO5	Analog input up to 1.5 V	No		No	GPIO_PAD_CONFIG_5 (0x4402 E0B4)		ADC_CH3	ADC channel 3 input (1.5 V max)	I	Hi-Z, Pull, Drive	Hi-Z, Pull, Drive	Hi-Z
							0	GPIO5	GPIO	I/O	Hi-Z, Pull, Drive		
							4	pDATA5 (CAM_D1)	Parallel camera data bit 1	I	Hi-Z, Pull, Drive		
							6	McAXR1	I2S audio port data 1 (RX, TX)	I/O	Hi-Z, Pull, Drive		
							7	GT_CCP05	Timer capture port	I	Hi-Z, Pull, Drive		

GENERAL PIN ATTRIBUTES						FUNCTION					PAD STATES		
Pkg. Pin	Pin Alias	Use	Select as Wakeup Source	Config. Addl. Analog Mux	Muxed With JTAG	Dig. Pin Mux Config. Reg.	Dig. Pin Mux Config. Mode Value	Signal Name	Signal Description	Signal Direction	LPDS	Hib	nRESET = 0
51	GPIO6	I/O	No	No	No	GPIO_PAD_CONFIG_6 (0x4402 E0B8)	0	GPIO6	GPIO	I/O	Hi-Z, Pull, Drive	Hi-Z, Pull, Drive	Hi-Z
							5	UART0_RTS	UART0 Request-to-Send (active low)	O	1		
							4	pDATA4 (CAM_D0)	Parallel camera data bit 0	I	Hi-Z, Pull, Drive		
							3	UART1_CTS	UART1 Clear to send (active low)	I	Hi-Z, Pull, Drive		
							6	UART0_CTS	UART0 Clear to send (active low)	I	Hi-Z, Pull, Drive		
							7	GT_CCP06	Timer capture port	I	Hi-Z, Pull, Drive		
52	GPIO7	I/O	No	No	No	GPIO_PAD_CONFIG_7 (0x4402 E0BC)	0	GPIO7	GPIO	I/O	Hi-Z, Pull, Drive	Hi-Z, Pull, Drive	Hi-Z
							13	McACLK	I2S audio port clock	O	Hi-Z, Pull, Drive		
							3	UART1_RTS	UART1 Request to send (active low)	O	1		
							10	UART0_RTS	UART0 Request to send (active low)	O	1		
							11	UART0_TX	UART0 TX data	O	1		
53	GPIO8	I/O	No	No	No	GPIO_PAD_CONFIG_8	0	GPIO8	GPIO	I/O	Hi-Z, Pull, Drive	Hi-Z, Pull,	Hi-Z

						(0x4402 E0C0)	6	SDCARD_IRQ	Interrupt from SD card (future support)	I	Drive	
							7	McAFSX	I2S audio port frame sync	O		
							12	GT_CCP06	Timer capture port	I		

GENERAL PIN ATTRIBUTES						FUNCTION					PAD STATES		
Pkg. Pin	Pin Alias	Use	Select as Wakeup Source	Config. Addl. Analog Mux	Muxed With JTAG	Dig. Pin Mux Config. Reg.	Dig. Pin Mux Config. Mode Value	Signal Name	Signal Description	Signal Direction	LPDS	Hib	nRESET = 0
54	GPIO9	I/O	No	No	No	GPIO_PAD_CONFIG_9 (0x4402 E0C4)	0	GPIO9	GPIO	I/O	Hi-Z, Pull, Drive	Hi-Z, Pull, Drive	Hi-Z
							3	GT_PWM05	Pulse-width modulated O/P	O			
							6	SDCARD_DATA0	SD card data	I/O			
							7	McAXR0	I2S audio port data (RX, TX)	I/O			
							12	GT_CCP00	Timer capture port	I			
55	GND	GND	N/A	N/A	N/A	N/A	N/A	GND	GND	N/A	N/A	N/A	N/A
56	GND	GND	N/A	N/A	N/A	N/A	N/A	GND	GND	N/A	N/A	N/A	N/A
57	GND	GND	N/A	N/A	N/A	N/A	N/A	GND	GND	N/A	N/A	N/A	N/A
58	GND	GND	N/A	N/A	N/A	N/A	N/A	GND	GND	N/A	N/A	N/A	N/A
59	GND	GND	N/A	N/A	N/A	N/A	N/A	GND	GND	N/A	N/A	N/A	N/A
60	GND	GND	N/A	N/A	N/A	N/A	N/A	GND	GND	N/A	N/A	N/A	N/A
61	GND	GND	N/A	N/A	N/A	N/A	N/A	GND	GND	N/A	N/A	N/A	N/A
62	GND	GND	N/A	N/A	N/A	N/A	N/A	GND	GND	N/A	N/A	N/A	N/A

BDE-WF3235SFA



Wi-Fi Dual-Band Module

[Datasheet](#)

63	GND	GND	N/A	N/A	N/A	N/A	N/A	GND	GND	N/A	N/A	N/A	N/A
----	-----	-----	-----	-----	-----	-----	-----	-----	-----	-----	-----	-----	-----

3.3 Signal Descriptions

Table 3-3. Signal Descriptions

FUNCTION	SIGNAL NAME	PIN NO.	PIN TYPE	SIGNAL DIRECTION	DESCRIPTION
ADC	ADC_CH0	47	I/O	I	ADC channel 0 input (maximum of 1.5 V)
	ADC_CH1	48	I/O	I	ADC channel 1 input (maximum of 1.5 V)
	ADC_CH2	49	I/O	I	ADC channel 2 input (maximum of 1.5 V)
	ADC_CH3	50	I	I	ADC channel 3 input (maximum of 1.5 V)
BLE/2.4 GHz radio coexistence ⁽²⁾	GPIO10	3	I/O	I/O	Coexistence inputs and outputs
	GPIO14	5	I/O	I/O	
	GPIO15	6	I/O	I/O	
	GPIO16	7	I/O	I/O	
	GPIO17	8	I/O	I/O	
	GPIO12	9	I/O	I/O	
	GPIO22	11	I/O	I/O	
	GPIO28	19 ⁽¹⁾	I/O	I/O	
	GPIO0	44	I/O	I/O	
	GPIO30	42 ⁽¹⁾	I/O	I/O	
	GPIO5	50	I/O	I/O	
	GPIO6	51	I/O	I/O	
GPIO8	53	I/O	I/O		
GPIO9	54	I/O	I/O		
Hostless mode	HM_IO	3	I/O	I/O	Hostless mode inputs and outputs
		4	I/O	O	
		5	I/O	I/O	
		6	I/O	I/O	
		7	I/O	I/O	
		8	I/O	I/O	
		9	I/O	I/O	
		10	I/O	O	
		11	I/O	I/O	
		19 ⁽¹⁾	I/O	I/O	
		23	O	O	
		42 ⁽¹⁾	I/O	I/O	
		44	I/O	I/O	
		48	O	O	
		49	O	O	
		50	I/O	I/O	
51	I/O	I/O			
53	I/O	I/O			
54	I/O	I/O			
JTAG / SWD	TDI	12	I/O	I	JTAG TDI. Reset default pinout.
	TDO	18	I/O	O	JTAG TDO. Reset default pinout.
	TCK	21	I/O	I	JTAG/SWD TCK. Reset default pinout.
	TMS	22	I/O	I/O	JTAG/SWD TMS. Reset default pinout.

FUNCTION	SIGNAL NAME	PIN NO.	PIN TYPE	SIGNAL DIRECTION	DESCRIPTION
I ² C	I2C_SCL	3	I/O	I/O (open drain)	I ² C clock data
		5			
		9			
		12			
	I2C_SDA	4	I/O	I/O (open drain)	I ² C data
		6			
		10			
		18			
Timers	GT_PWM06	3	I/O	O	Pulse-width modulated O/P
	GT_CCP01	46	I/O	I	Timer capture port
	GT_PWM07	4	I/O	O	Pulse-width modulated O/P
	GT_CCP02	47	I/O	I	Timer capture ports
	GT_CCP03	9	I/O	I	
	GT_CCP04	10	I/O	I	
		11	I/O	I	
	GT_CCP05	5	I/O	I	
	GT_CCP06	6	I/O	I	
		18	I/O	I	
		51	I/O	I	
		53	I/O	I	
	GT_CCP07	7	I/O	I	
	PWM0	18	I/O	O	
	GT_PWM03	21	I/O	O	
	GT_PWM02	23	O	O	
	GT_CCP00	44	I/O	I	Timer capture ports
		54	I/O	I	
	GT_CCP05	42	I/O	I	
	GT_CCP01	46	I/O	I	
GT_CCP02	47	I/O	I		
GT_CCP05	50	I	I	Timer capture port Input	
GT_PWM05	54	I/O	O	Pulse-width modulated output	

FUNCTION	SIGNAL NAME	PIN NO.	PIN TYPE	SIGNAL DIRECTION	DESCRIPTION
GPIO	GPIO10	3	I/O	I/O	General-purpose inputs or outputs
	GPIO11	4	I/O	I/O	
	GPIO14	5	I/O	I/O	
	GPIO15	6	I/O	I/O	
	GPIO16	7	I/O	I/O	
	GPIO17	8	I/O	I/O	
	GPIO12	9	I/O	I/O	
	GPIO13	10	I/O	I/O	
	GPIO22	11	I/O	I/O	
	GPIO23	12	I/O	I/O	
	GPIO24	18	I/O	I/O	
	GPIO28	19	I/O	I/O	
	GPIO29	22	I/O	I/O	
	GPIO25	23	O	O	
	GPIO0	44	I/O	I/O	
	GPIO30	42	I/O	I/O	
	GPIO1	46	I/O	I/O	
	GPIO2	47	I/O	I/O	
	GPIO3	48	I/O	I/O	
	GPIO4	49	I/O	I/O	
GPIO5	50	I/O	I/O		
GPIO6	51	I/O	I/O		
GPIO7	52	I/O	I/O		
GPIO8	53	I/O	I/O		
GPIO9	54	I/O	I/O		
McASP I ² S or PCM	MCAFSX	4	I/O	O	I ² S audio port frame sync
		11			
		18			
		23			
		42			
	McACLK	9	I/O	O	I ² S audio port clock outputs
		42	I/O	O	
	McAXR1	44	I/O	I/O	I ² S audio port data 1 (RX/TX)
		50	I	I/O	I ² S audio port data 1 (RX and TX)
	McAXR0	44	I/O	I/O	I ² S audio port data 0 (RX and TX)
54		I/O	I/O	I ² S audio port data (RX and TX)	
McACLKX	52	I/O	O	I ² S audio port clock	
Multimedia card (MMC or SD)	SDCARD_CLK	3	I/O	O	SD card clock data
		7			
	SDCARD_CMD	4	I/O	I/O (open drain)	SD card command line
		8	I/O	I/O	
	SDCARD_DATA0	6	I/O	I/O	SD card data
54					
SDCARD_IRQ	53	I/O	I	Interrupt from SD card ⁽³⁾	

FUNCTION	SIGNAL NAME	PIN NO.	PIN TYPE	SIGNAL DIRECTION	DESCRIPTION
Parallel interface (8-bit π)	pXCLK (XVCLK)	4	I/O	O	Free clock to parallel camera
	pVS (VSYNC)	9	I/O	I	Parallel camera vertical sync
	pHS (HSYNC)	10	I/O	I	Parallel camera horizontal sync
	pDATA8 (CAM_D4)	5	I/O	I	Parallel camera data bit 4
	pDATA9 (CAM_D5)	6	I/O	I	Parallel camera data bit 5
	pDATA10 (CAM_D6)	7	I/O	I	Parallel camera data bit 6
	pDATA11 (CAM_D7)	8	I/O	I	Parallel camera data bit 7
	pCLK (PIXCLK)	46	I/O	I	Pixel clock from parallel camera sensor
	pDATA7 (CAM_D3)	48	I/O	I	Parallel camera data bit 3
	pDATA6 (CAM_D2)	49	I/O	I	Parallel camera data bit 2
	pDATA5 (CAM_D1)	50	I	I	Parallel camera data bit 1
pDATA4 (CAM_D0)	51	I/O	I	Parallel camera data bit 0	
Power	VBAT1	37	—	—	Power supply for the module
	VBAT2	40	—	—	Power supply for the module
SPI	GSPI_CLK	5	I/O	I/O	General SPI clock
	GSPI_MISO	6	I/O	I/O	General SPI MISO
		42	I/O	I/O	
	GSPI_CS	8	I/O	I/O	General SPI device select
		44	I/O	I/O	
GSPI_MOSI	7	I/O	I/O	General SPI MOSI	
FLASH SPI	FLASH_SPI_CLK	15	O	O	Clock to SPI serial flash (fixed default)
	FLASH_SPI_DOUT	17	O	O	Data to SPI serial flash (fixed default)
	FLASH_SPI_DIN	13	I	I	Data from SPI serial flash (fixed default)
	FLASH_SPI_CS	14	O	O	Device select to SPI serial flash (fixed default)

FUNCTION	SIGNAL NAME	PIN NO.	PIN TYPE	SIGNAL DIRECTION	DESCRIPTION	
UART	UART1_TX	3	I/O	O	UART TX data	
		7	I/O	O		
		12	I/O	O		
		46	I/O	O		
		48	I/O	O		
	UART1_RX	UART1_RX	4	I/O	I	UART RX data
			8	I/O	I	
			18	I/O	I	UART1 RX data
			47	I/O	I	
			49	I/O	I	
	UART1_RTS	UART1_RTS	44	I/O	O	UART1 request-to-send (active low)
			52	I/O	O	
	UART1_CTS	UART1_CTS	51	I/O	I	UART1 clear-to-send (active low)
	UART0_TX	UART0_TX	9	I/O	O	UART0 TX data
			42	I/O	O	
			46	I/O	O	
			52	I/O	O	
	UART0_RX	UART0_RX	10	I/O	I	UART0 RX data
			47	I/O	I	UART0 RX data
	UART0_CTS	UART0_CTS	44	I/O	I	UART0 clear-to-send input (active low)
51						
UART0_RTS	UART0_RTS	44	I/O	O	UART0 request-to-send (active low)	
		51	I/O	O		
		52	I/O	O		
Sense-On-Power	SOP2	23 ⁽⁴⁾	O	I	Sense-on-power 2	
	SOP1	24	I	I	Configuration sense-on-power 1	
	SOP0	34	I	I	Configuration sense-on-power 0	

- (1) LPDS retention unavailable.
- (2) The BDE-WF3235 module is compatible with TI BLE modules using an external RF switch.
- (3) Future support.
- (4) This pin has dual functions: as a SOP[2] (device operation mode), and as an external TCXO enable. As a TCXO enable, the pin is an output on power up and driven logic high. During hibernate low-power mode, the pin is in a Hi-Z state but is pulled down for SOP mode to disable TCXO. Because of the SOP functionality, the pin must be used as an output only.

3.4 Drive Strength and Reset States for Analog-Digital Multiplexed Pins

Table 3-4 describes the use, drive strength, and default state of analog- and digital-multiplexed pins at first-time power up and reset (nRESET pulled low).

Table 3-4. Drive Strength and Reset States for Analog-Digital Multiplexed Pins

PIN	BOARD LEVEL CONFIGURATION AND USE	DEFAULT STATE AT FIRST POWER UP OR FORCED RESET	STATE AFTER CONFIGURATION OF ANALOG SWITCHES (ACTIVE, LPDS, and HIB POWER MODES)	MAXIMUM EFFECTIVE DRIVE STRENGTH (mA)
42	Generic I/O	Analog is isolated. The digital I/O cell is also isolated.	Determined by the I/O state, as are other digital I/Os.	4
44	Generic I/O	Analog is isolated. The digital I/O cell is also isolated.	Determined by the I/O state, as are other digital I/Os.	4
47	Analog signal (1.8-V absolute, 1.46-V full scale)	ADC is isolated. The digital I/O cell is also isolated.	Determined by the I/O state, as are other digital I/Os.	4
48	Analog signal (1.8-V absolute, 1.46-V full scale)	ADC is isolated. The digital I/O cell is also isolated.	Determined by the I/O state, as are other digital I/Os.	4
49	Analog signal (1.8-V absolute, 1.46-V full scale)	ADC is isolated. The digital I/O cell is also isolated.	Determined by the I/O state, as are other digital I/Os.	4
50	Analog signal (1.8-V absolute, 1.46-V full scale)	ADC is isolated. The digital I/O cell is also isolated.	Determined by the I/O state, as are other digital I/Os.	4

3.5 Pad State After Application of Power to Chip, but Before Reset Release

When a stable power is applied to the BDE-WF3235 module for the first time or when supply voltage is restored to the proper value following a prior period with supply voltage below 1.5V, the level of the digital pads are undefined in the period starting from the release of nRESET and until the DIG_DCDC of the CC3235SF chip powers up. This period is less than approximately 10ms. During this period, pads can be internally pulled weakly in either direction. If a certain set of pins are required to have a definite value during this pre-reset period, an appropriate pullup or pulldown must be used at the board level. The recommended value of these external pullup or pulldown resistors is 2.7kΩ.

3.6 Connections for Unused Pins

All unused pin should be configured as stated in [Table 3-5](#).

Table 3-5. Connections for Unused Pins

FUNCTION	SIGNAL DESCRIPTION	PIN NUMBER	ACCEPTABLE PRACTICE
GPIO	General-purpose input or output		Wake up I/O source should not be floating during hibernate. All the I/O pins will float while in Hibernate and Reset states. Ensure pullup and pulldown resistors are available on board to maintain the state of the I/O. Leave unused GPIOs as NC
No Connect	NC	20, 31, 33, 39, 41, 45	Unused pin, leave as NC.
SOP	Configuration sense-on-power	23, 24, 34	Leave as NC (Modules contain internal 100-kΩ pulldown resistors on the SOP lines). An external 10-kΩ pullup resistor is required to pull these pins high. See Section 5.11 for SOP[2:0] configuration modes.
Reset	RESET input for the device		Never leave the reset pin floating
JTAG	JTAG interface		Leave as NC if unused

4. Specifications

All measurements are referenced at the module pins unless otherwise indicated. All specifications are over process and voltage unless otherwise indicated.

Over operating free-air temperature range (unless otherwise noted)^{(1) (2)}

4.1 Absolute Maximum Ratings

Table 4-1. Absolute Maximum Ratings

PARAMETER	MIN	MAX	UNIT
V _{BAT}	-0.5	3.8	V
Digital I/O	-0.5	V _{BAT} + 0.5	V
Analog pins	-0.5	2.1	V
Operating temperature (T _A)	-40	85	°C
Storage temperature (T _{stg})	-40	85	°C
Junction temperature (T _j) ⁽³⁾		120	°C

(1) Stresses beyond those listed under *Absolute Maximum Ratings* may cause permanent damage to the device. These are stress ratings only, and functional operation of the device at these or any other conditions beyond those indicated under *Recommended Operating Conditions* is not implied. Exposure to absolute-maximum-rated conditions for extended periods may affect device reliability.

(2) All voltage values are with respect to V_{SS}, unless otherwise noted.

(3) Junction temperature is for the CC3235SF device that is contained within the module.

4.2 ESD Ratings

			VALUE	UNIT
VESD	Electrostatic discharge	Human body model (HBM), per ANSI/ESDA/JEDEC JS001 ⁽¹⁾	±2000	V
		Charged device model (CDM), per JESD22-C101 ⁽²⁾	±500	

- (1) JEDEC document JEP155 states that 500-V HBM allows safe manufacturing with a standard ESD control process.
- (2) JEDEC document JEP157 states that 250-V CDM allows safe manufacturing with a standard ESD control process.

4.3 Recommended Operating Conditions

Over operating free-air temperature range (unless otherwise noted) ^{(2) (1) (3)}

PARAMETER	MIN	TYP	MAX	UNIT
V _{BAT}	2.3	3.3	3.6	V
Operating temperature	-40	25	85	°C
Ambient thermal slew	-20		20	°C/minute

- (1) When operating at an ambient temperature of over 75°C, the transmit duty cycle must remain below 50% to avoid the auto-protect feature of the power amplifier. If the auto-protect feature triggers, the device takes a maximum of 60 seconds to restart the transmission.
- (2) To ensure WLAN performance, the ripple on the power supply must be less than ±300 mV. The ripple should not cause the supply to fall below the brownout voltage.
- (3) The minimum voltage specified includes the ripple on the supply voltage and all other transient dips. The brownout condition is also 2.1 V, and care must be taken when operating at the minimum specified voltage.

4.4 Brownout and Blackout Conditions

The module enters a brownout condition whenever the input voltage dips below $V_{BROWNOUT}$ (see Figure 4-1 and Figure 4-2). This condition must be considered during design of the power supply routing, especially if operating from a battery. High-current operations, such as a TX packet or any external activity (not necessarily related directly to networking) can cause a drop in the supply voltage, potentially triggering a brownout. The resistance includes the internal resistance of the battery, contact resistance of the battery holder (four contacts for a 2x AA battery), and the wiring and PCB routing resistance.

Note

When the module is in HIBERNATE state, brownout is not detected. Only blackout is in effect during HIBERNATE state.

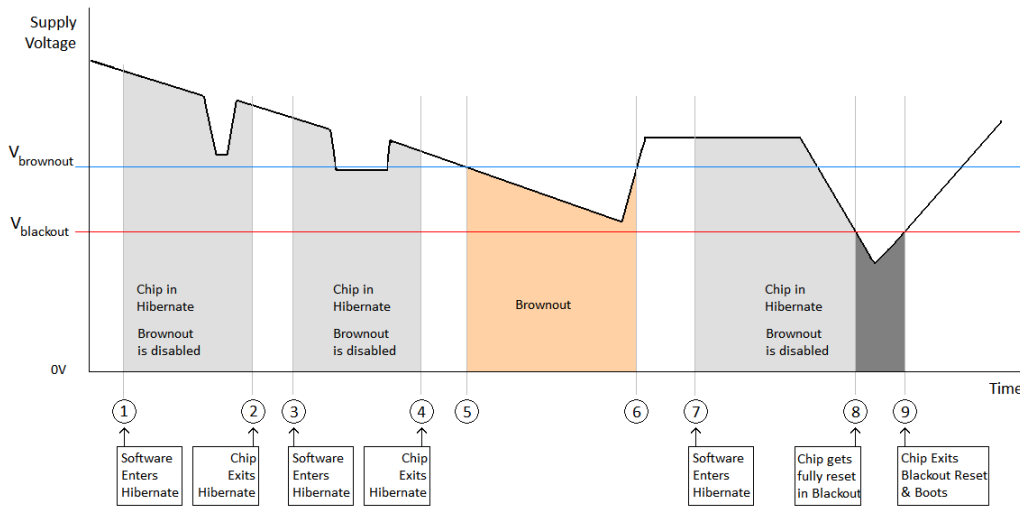


Figure 4-1. Brownout and Blackout Levels (1 of 2)

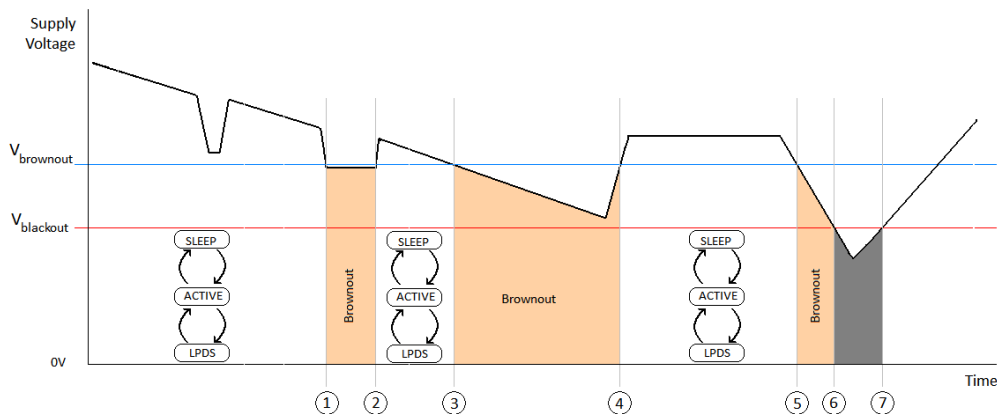


Figure 4-2. Brownout and Blackout Levels (2 of 2)

In the brownout condition, all sections of the device shut down within the module except for the Hibernate block (including the 32-kHz RTC clock), which remains on. The current in this state can reach approximately 400 μ A.

The blackout condition is equivalent to a hardware reset event in which all states within the module are lost.

$V_{\text{brownout}} = 2.1 \text{ V}$ and $V_{\text{blackout}} = 1.67 \text{ V}$

Table 4-2 lists the brownout and blackout voltage levels.

Table 4-2. Brownout and Blackout Voltage Levels

CONDITION	VOLTAGE LEVEL	UNIT
V_{brownout}	2.1	V
V_{blackout}	1.67	V

4.5 Electrical Characteristics for GPIO Pins

Table 4-3. GPIO Pins Except 25, 26, 42, and 44 (25°C) ⁽¹⁾

T_A = 25°C, V_{BAT} = 3.3 V

PARAMETER		TEST CONDITIONS	MIN	NOM	MAX	UNIT
C _{IN}	Pin capacitance			4		pF
V _{IH}	High-level input voltage		0.65 × V _{DD}		V _{DD} + 0.5 V	V
V _{IL}	Low-level input voltage		-0.5		0.35 × V _{DD}	V
I _{IH}	High-level input current			5		nA
I _{IL}	Low-level input current			5		nA
V _{OH}	High-level output voltage	IL = 2 mA; configured I/O drive strength = 2 mA;			V _{DD} × 0.8	V
		IL = 4 mA; configured I/O drive strength = 4 mA;			V _{DD} × 0.7	
		IL = 6 mA; configured I/O drive strength = 6 mA;			V _{DD} × 0.7	
		IL = 2 mA; configured I/O drive strength = 2 mA;			V _{DD} × 0.75	
V _{OL}	Low-level output voltage	IL = 2 mA; configured I/O drive strength = 2 mA;	V _{DD} × 0.2			V
		IL = 4 mA; configured I/O drive strength = 4 mA;	V _{DD} × 0.2			
		IL = 6 mA; configured I/O drive strength = 6 mA;	V _{DD} × 0.2			
		IL = 2 mA; configured I/O drive strength = 2 mA;	V _{DD} × 0.25			
I _{OH}	High-level source current	2-mA drive		2		mA
		4-mA drive		4		
		6-mA drive		6		
I _{OL}	Low-level sink current	2-mA drive		2		mA
		4-mA drive		4		
		6-mA drive		6		

(1) We recommend using the lowest possible drive strength that is adequate for the applications. This recommendation minimizes the risk of interference to the WLAN radio and reduces any potential degradation of RF sensitivity and performance. The default drive strength setting is 6 mA.

Table 4-4. GPIO Pins 25, 26, 42, and 44 (25°C) ⁽¹⁾

PARAMETER		TEST CONDITIONS	MIN	NOM	MAX	UNIT
C _{IN}	Pin capacitance			7		p
V _{IH}	High-level input voltage		0.65 × V _{DD}	V _{DD} + 0.5 V		V
V _{IL}	Low-level input voltage		-0.5	0.35 × V _{DD}		V
I _{IH}	High-level input current			50		nA
I _{IL}	Low-level input current			50		nA
V _{OH}	High-level output voltage	IL = 2 mA; configured I/O drive strength = 2 mA; 2.4 V ≤ V _{DD} < 3.6 V			V _{DD} × 0.8	V
		IL = 4 mA; configured I/O drive strength = 4 mA; 2.4 V ≤ V _{DD} < 3.6 V			V _{DD} × 0.7	
		IL = 6 mA; configured I/O drive strength = 6 mA; 2.4 V ≤ V _{DD} < 3.6 V			V _{DD} × 0.7	
		IL = 2 mA; configured I/O drive strength = 2 mA; 2.3 V ≤ V _{DD} < 2.4 V			V _{DD} × 0.75	
V _{OL}	Low-level output voltage	IL = 2 mA; configured I/O drive strength = 2 mA; 2.4 V ≤ V _{DD} < 3.6 V	V _{DD} × 0.2			V
		IL = 4 mA; configured I/O drive strength = 4 mA; 2.4 V ≤ V _{DD} < 3.6 V	V _{DD} × 0.2			
		IL = 6 mA; configured I/O drive strength = 6 mA; 2.4 V ≤ V _{DD} < 3.6 V	V _{DD} × 0.2			
		IL = 2 mA; configured I/O drive strength = 2 mA; 2.3 V ≤ V _{DD} < 2.4 V	V _{DD} × 0.25			
I _{OH}	High-level source current, V _{OH} = 2.4	2-mA drive		1.5		mA
		4-mA drive		2.5		
		6-mA drive		3.5		
I _{OL}	Low-level sink current	2-mA drive		1.5		mA
		4-mA drive		2.5		
		6-mA drive		3.5		
V _{IL}	nRESET			0.6		V

(1) We recommend using the lowest possible drive strength that is adequate for the applications. This recommendation minimizes the risk of interference to the WLAN radio and reduces any potential degradation of RF sensitivity and performance. The default drive strength setting is 6 mA.

4.5.1 Electrical Characteristics for Pin Internal Pullup and Pulldown (25°C)

PARAMETER		TEST CONDITIONS	MIN	NOM	MAX	UNIT
I _{OH}	Pullup current (V _{DD} = 3.0 V)			10		μA
I _{OL}	Pulldown current (V _{DD} = 3.0 V)			10		μA

4.6 BLE and WLAN Coexistence Requirements

For proper BLE and WLAN 2.4 GHz radio coexistence, the following requirements must be met:

Table 4-5. BLE/WLAN Coex Isolation Requirement

PARAMETER	Band	MIN	TYP	MAX	UNIT
Port-to-port isolation	Dual antenna configuration ⁽¹⁾	20 ⁽²⁾			dB

- (1) A single antenna configuration is possible using the CC3x35 devices.
- (2) For dual antenna configuration, the antenna placement must be such that isolation between the BLE and WLAN ports is at least 20 dB.

4.7 Reset Requirement

PARAMETER	MIN	TYP	MAX	UNIT
V _{IH} Operation mode level		0.65 × V _{BAT}		V
V _{IL} Shutdown mode level ⁽¹⁾	0	0.6		V
Minimum time for nReset low for resetting the module	5			ms
T _r and T _f Rise and fall times		20		µs

- (1) The nRESET pin must be held below 0.6 V for the module to register a reset.

4.8 Timing and Switching Characteristics

4.8.1 Power-Up Sequencing

For proper start-up of the BDE-WF3235 module, perform the recommended power-up sequencing as follows:

1. Tie V_{BAT1} (pin 37) and V_{BAT2} (pin 40) together on the board.
2. Hold the nRESET pin low while the supplies are ramping up.

Figure 4-3 shows the reset timing diagram for the first-time power-up and reset removal.

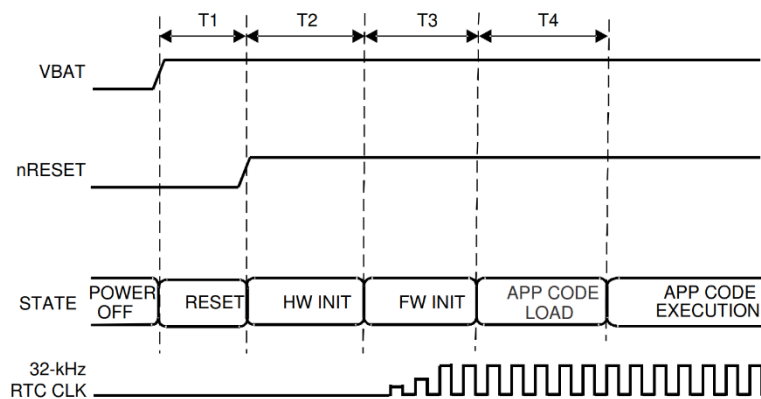


Figure 4-3. First-Time Power-Up and Reset Removal Timing Diagram

Table 4-6 lists the timing requirements for the first-time power-up and reset removal.

Table 4-6. First-Time Power-Up and Reset Removal Timing Requirements

ITEM	NAME	DESCRIPTION	MIN	TYP	MAX	UNIT
T1	nReset time	nReset timing after VBAT supplies are stable		1		ms
T2	Hardware wake-up time			25		ms
T3	Time taken by ROM firmware to initialize hardware	Includes internal 32-kHz XOSC settling time		1.1		s
T4	App code load time for BDE-WF3235	BDE-WF3235		Image size (KB) × 0.06		ms

4.8.2 Power-Down Sequencing

For proper power down of the BDE-WF3235 module, ensure that the nRESET (pin 35) and nHIB (pin 4) pins have remained in a known state for a minimum of 200 ms before removing power from the module.

4.8.3 Device Reset

When a device restart is required, issue a negative pulse to the nRESET pin. Ensure the reset is properly applied: A negative reset pulse (on pin 35) of at least 200-mS duration.

4.8.4 Wake Up From Hibernate Timing

Table 4-7 lists the software hibernate timing requirements.

Note

The internal 32.768-kHz crystal is kept enabled by default when the module goes to hibernate.

Table 4-7. Software Hibernate Timing Requirements

ITEM	NAME	DESCRIPTION	MIN	TYP	MAX	UNIT
T _{HIB_MIN}	Minimum hibernate time		10			ms
T _{wake_from_hib} ⁽¹⁾	Hardware wakeup time plus firmware initialization time			50 ⁽²⁾		ms
T _{APP_CODE_LOAD}	App code load time for BDE-WF3235	BDE-WF3235		Image size (KB) × 0.06		ms

- (1) T_{wake_from_hib} can be 200ms on rare occasions when calibration is performed. Calibration is performed sparingly, typically when exiting Hibernate and only if temperature has changed by more than 20°C or more than 24 hours have elapsed since a prior calibration.
- (2) Wake-up time can extend to 75ms if a patch is downloaded from the serial flash.

Figure 4-4 shows the timing diagram for wake up from the hibernate state.

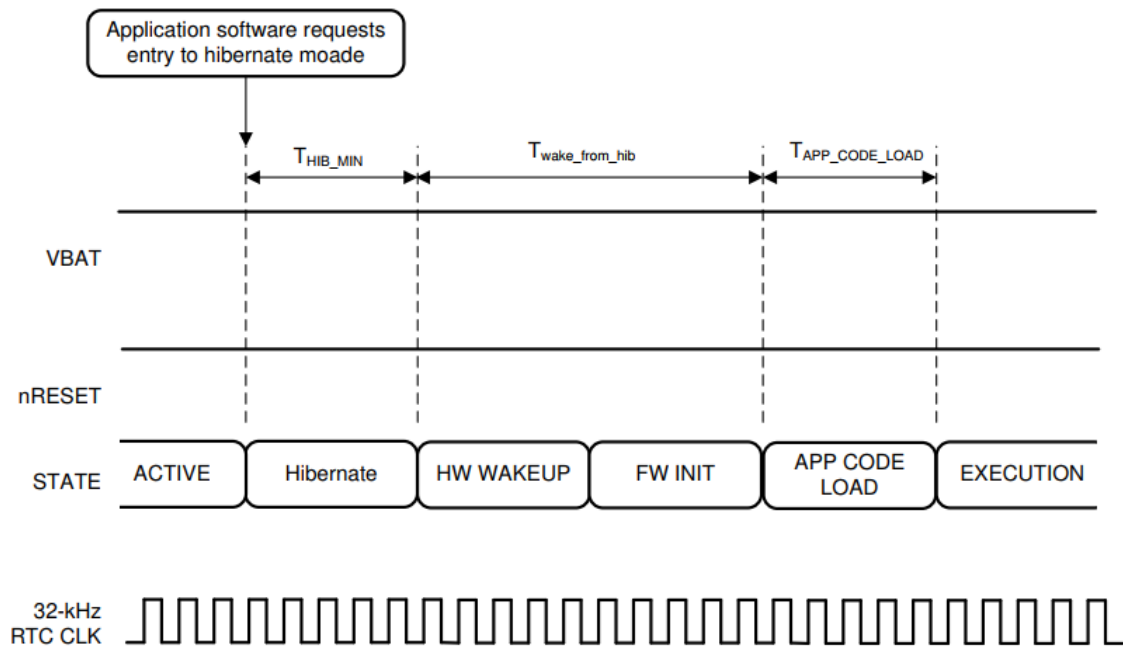


Figure 4-4. Wake Up From Hibernate Timing Diagram

4.8.5 Peripherals Timing

This section describes the peripherals that are supported by the BDE-WF3235 module, as follows:

- SPI
- I²S
- GPIOs
- I²C
- IEEE 1149.1 JTAG
- ADC
- Camera parallel port
- External flash
- UART
- SD Host
- Timers

4.8.5.1 SPI

➤ SPI Master

The BDE-WF3235 MCU includes one SPI module, which can be configured as a master or slave device. The SPI includes a serial clock with programmable frequency, polarity, and phase; a programmable timing control between chip select and external clock generation; and a programmable delay before the first SPI word is transmitted. Slave mode does not include a dead cycle between two successive words.

Figure 4-5 shows the timing diagram for the SPI master.

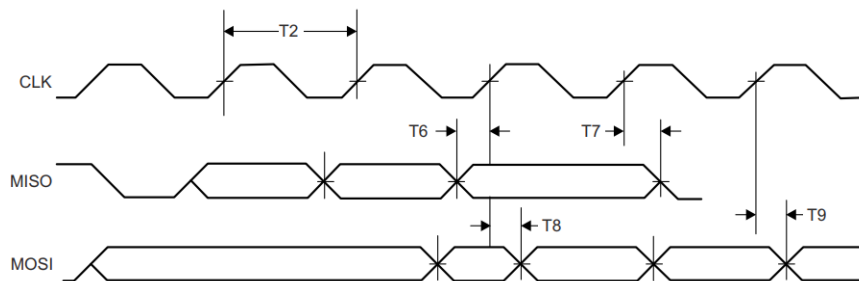


Figure 4-5. SPI Master Timing Diagram

Table 4-8 lists the timing parameters for the SPI master.

Table 4-8. SPI Master Timing Parameters

ITEM	NAME	DESCRIPTION	MIN	MAX	UNIT
	$F^{(1)}$	Clock frequency		20	MHz
T2	$T_{clk}^{(1)}$	Clock period	50		ns
	$D^{(1)}$	Duty cycle	45%	55%	
T6	$t_{IS}^{(1)}$	RX data setup time	1		ns
T7	$t_{IH}^{(1)}$	RX data hold time	2		ns
T8	$t_{OD}^{(1)}$	TX data output delay		8.5	ns
T9	$t_{OH}^{(1)}$	TX data hold time		8	ns

- (1) Timing parameter assumes a maximum load of 20 pF.

➤ SPI Slave

Figure 4-6 shows the timing diagram for the SPI slave.

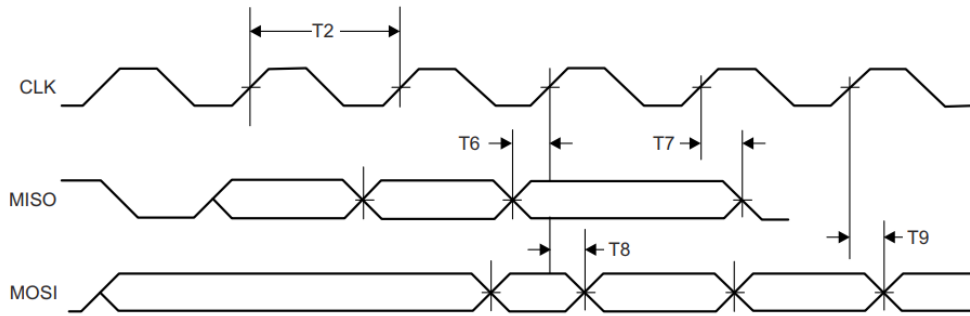


Figure 4-6. SPI Slave Timing Diagram

Table 4-9 lists the timing parameters for the SPI slave.

Table 4-9. SPI Slave Timing Parameters

ITEM	NAME	DESCRIPTION	MIN	MAX	UNIT
	$F^{(1)}$	Clock frequency @ VBAT = 3.3 V		20	MHz
		Clock frequency @ VBAT ≤ 2.3 V		12	
T2	$T_{clk}^{(1)}$	Clock period	50		ns
	$D^{(1)}$	Duty cycle	45%	55%	
T6	$t_{IS}^{(1)}$	RX data setup time	4		ns
T7	$t_{IH}^{(1)}$	RX data hold time	4		ns
T8	$t_{OD}^{(1)}$	TX data output delay		20	ns
T9	$t_{OH}^{(1)}$	TX data hold time		24	ns

(1) Timing parameter assumes a maximum load of 20pF at 3.3V.

4.8.5.2 I2S

The McASP interface functions as a general-purpose audio serial port optimized for multichannel audio applications and supports transfer of two stereo channels over two data pins. The McASP consists of transmit and receive sections that operate synchronously and have programmable clock and frame-sync polarity. A fractional divider is available for bit-clock generation.

➤ **I2S Transmit Mode**

Figure 4-7 shows the timing diagram for the I2S transmit mode.

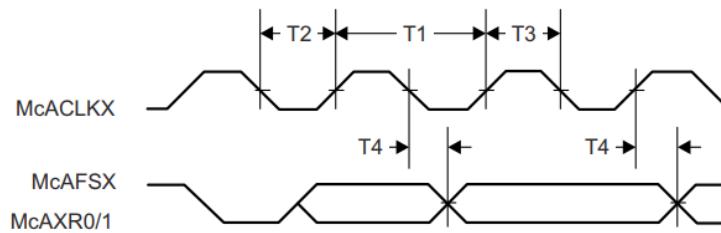


Figure 4-7. I2S Transmit Mode Timing Diagram

Table 4-10 lists the timing parameters for the I2S transmit mode.

Table 4-10. I2S Transmit Mode Timing Parameters

ITEM	NAME	DESCRIPTION	MIN	MAX	UNIT
T1	$f_{clk}^{(1)}$	Clock frequency		9.216	MHz
T2	$t_{LP}^{(1)}$	Clock low period		1/2 fclk	ns
T3	$t_{HT}^{(1)}$	Clock high period		1/2 fclk	ns
T4	$t_{OH}^{(1)}$	TX data hold time		22	ns

(1) Timing parameter assumes a maximum load of 20 pF.

➤ **I2S Receive Mode**

Figure 4-8 shows the timing diagram for the I2S receive mode.

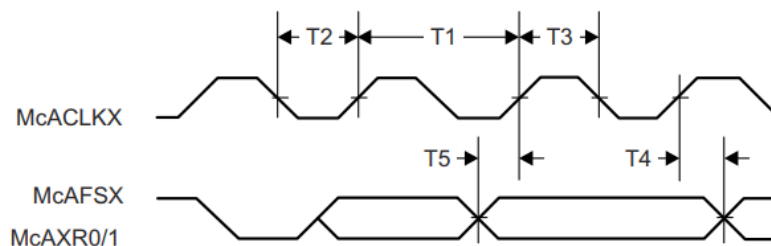


Figure 4-8. I2S Receive Mode Timing Diagram

Table 4-11 lists the timing parameters for the I2S receive mode.

Table 4-11. I2S Receive Mode Timing Parameters

ITEM	NAME	DESCRIPTION	MIN	MAX	UNIT
T1	$f_{clk}^{(1)}$	Clock frequency		9.216	MHz
T2	$t_{LP}^{(1)}$	Clock low period		1/2 fclk	ns
T3	$t_{HT}^{(1)}$	Clock high period		1/2 fclk	ns
T4	$t_{OH}^{(1)}$	RX data hold time		0	ns
T5	$t_{OS}^{(1)}$	RX data setup time		15	ns

(1) Timing parameter assumes a maximum load of 20 pF.

4.8.5.3 GPIOs

All digital pins of the module can be used as general-purpose input/output (GPIO) pins. The GPIO module consists of four GPIO blocks, each of which provides eight GPIOs. The GPIO module supports 24 programmable GPIO pins, depending on the peripheral used. Each GPIO has configurable pullup and pulldown strength (weak 10 μ A), configurable drive strength (2, 4, and 6 mA), and open-drain enable.

Figure 4-9 shows the GPIO timing diagram.

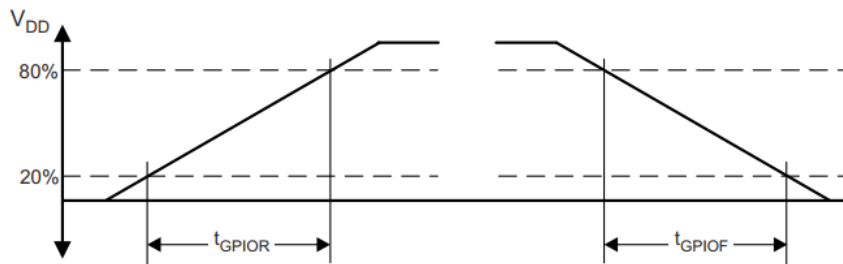


Figure 4-9. GPIO Timing Diagram

Table 4-12 lists the GPIO output transition times for V_{BAT} = 2.3 V.

Table 4-12. GPIO Output Transition Times (V_{BAT} = 2.3 V)^{(1) (2)}

DRIVE STRENGTH (mA)	DRIVE STRENGTH CONTROL BITS	T _r			T _f			UNIT
		MIN	NOM	MAX	MIN	NOM	MAX	
2	2MA_EN=1	11.7	13.9	16.3	11.5	13.9	16.7	ns
	4MA_EN=0							
4	2MA_EN=0	13.7	15.6	18.0	9.9	11.6	13.6	ns
	4MA_EN=1							
6	2MA_EN=1	5.5	6.4	7.4	3.8	4.7	5.8	ns
	4MA_EN=1							

(1) V_{BAT} = 2.3 V, T = 25°C, total pin load = 30 pF

(2) The transition data applies to the pins other than the multiplexed analog-digital pins 25, 26, 42, and 44.

Table 4-13 lists the GPIO output transition times for V_{BAT} = 3.3 V.

Table 4-13. GPIO Output Transition Times (V_{BAT} = 3.3 V)^{(1) (2)}

DRIVE STRENGTH (mA)	DRIVE STRENGTH CONTROL BITS	T _r			T _f			UNIT
		MIN	NOM	MAX	MIN	NOM	MAX	
2	2MA_EN=1	8.0	9.3	10.7	8.2	9.5	11.0	ns
	4MA_EN=0							
4	2MA_EN=0	6.6	7.1	7.6	4.7	5.2	5.8	ns
	4MA_EN=1							
6	2MA_EN=1	3.2	3.5	3.7	2.3	2.6	2.9	ns
	4MA_EN=1							

(1) V_{BAT} = 3.3 V, T = 25°C, total pin load = 30 pF

(2) The transition data applies to the pins except the multiplexed analog-digital pins 29, 30, 45, 50, 52 and 53.

Table 4-14 lists the input transition time parameters.

Table 4-14. GPIO Input Transition Time Parameters

		MIN	MAX	UNIT
t_r	Input transition time (t_r, t_f), 10% to 90%	1	3	ns
t_f		1	3	ns

4.8.5.4 I²C

The BDE-WF3235 MCU includes one I²C module operating with standard (100 kbps) or fast (400 kbps) transmission speeds.

Figure 4-10 shows the I²C timing diagram.

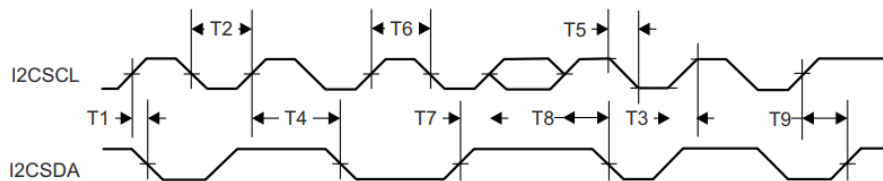


Figure 4-10. I²C Timing Diagram

Table 4-15 lists the I²C timing parameters.

Table 4-15. I²C Timing Parameters⁽³⁾

ITEM	NAME	DESCRIPTION	MIN	MAX	UNIT
T2	t_{LP}	Clock low period	See ⁽¹⁾		System clock
T3	t_{SRT}	SCL/SDA rise time		See ⁽²⁾	ns
T4	t_{DH}	Data hold time	NA		
T5	t_{SFT}	SCL/SDA fall time	3		ns
T6	t_{HT}	Clock high time	See ⁽¹⁾		System clock
T7	t_{DS}	Data setup time	$t_{LP}/2$		System clock
T8	t_{SCSR}	Start condition setup time	36		System clock
T9	t_{SCS}	Stop condition setup time	24		System clock

- (1) This value depends on the value programmed in the clock period register of I²C. Maximum output frequency is the result of the minimal value programmed in this register.
- (2) Because I²C is an open-drain interface, the controller can drive logic 0 only. Logic is the result of external pullup. Rise time depends on the value of the external signal capacitance and external pullup register.
- (3) All timing is with 6-mA drive and 20-pF load.

4.8.5.5 IEEE 1149.1 JTAG

The Joint Test Action Group (JTAG) port is an IEEE standard that defines a test access port (TAP) and boundary scan architecture for digital integrated circuits and provides a standardized serial interface to control the associated test logic. For detailed information on the operation of the JTAG port and TAP controller, see the IEEE Standard 1149.1, *Test Access Port and Boundary-Scan Architecture*.

Figure 4-11 shows the JTAG timing diagram.

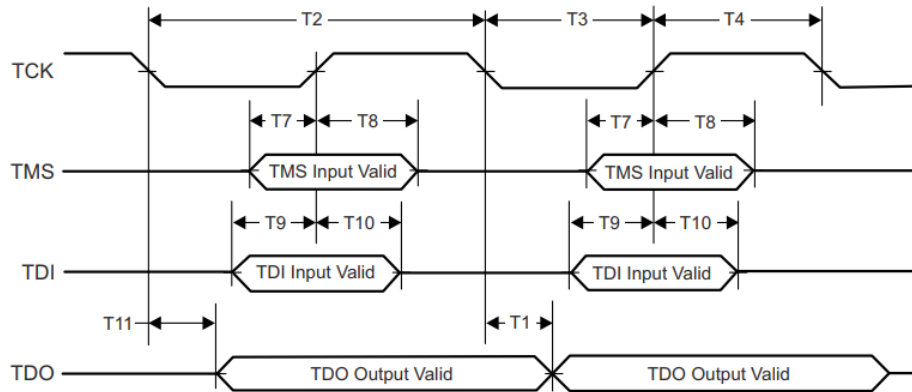


Figure 4-11. JTAG Timing Diagram

Table 4-16 lists the JTAG timing parameters.

Table 4-16. JTAG Timing Parameters

ITEM	NAME	DESCRIPTION	MIN	MAX	UNIT
T1	f_{TCK}	Clock frequency		15	MHz
T2	t_{TCK}	Clock period		$1 / f_{TCK}$	ns
T3	t_{CL}	Clock low period		$t_{TCK} / 2$	ns
T4	t_{CH}	Clock high period		$t_{TCK} / 2$	ns
T7	t_{TMS_SU}	TMS setup time	1		ns
T8	t_{TMS_HO}	TMS hold time	16		ns
T9	t_{TDI_SU}	TDI setup time	1		ns
T10	t_{TDI_HO}	TDI hold time	16		ns
T11	t_{TDO_HO}	TDO hold time		15	ns

4.8.5.6 ADC

Table 4-17 lists the ADC electrical specifications. See [CC32xx ADC Appnote](#) for further information on using the ADC and for application-specific examples.

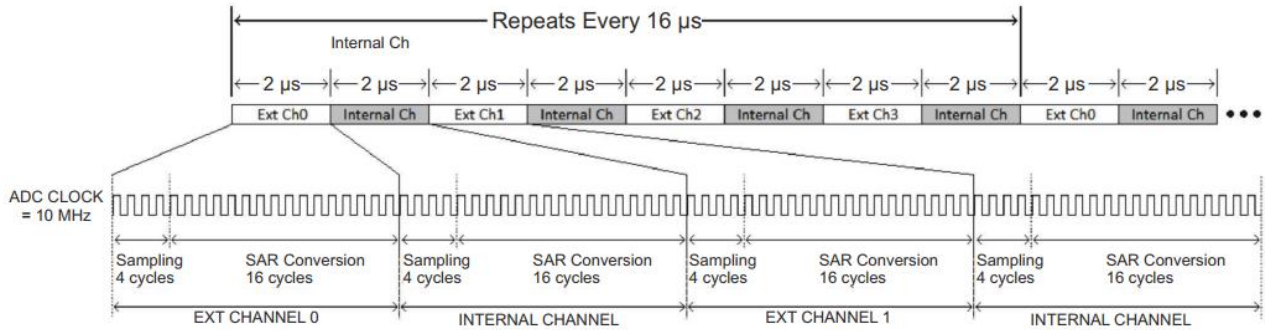


Figure 4-12. ADC Clock Timing Diagram

Figure 4-12 shows the ADC clock timing diagram.

Table 4-17. ADC Electrical Specifications

PARAMETER	DESCRIPTION	TEST CONDITIONS / ASSUMPTIONS	MIN	TYP	MAX	UNIT
Nbits	Number of bits			12		Bits
INL	Integral nonlinearity	Worst-case deviation from histogram method over full scale (not including first and last three LSB levels)	-2.5		2.5	LSB
DNL	Differential nonlinearity	Worst-case deviation of any step from ideal	-1		4	LSB
Input range			0		1.4	V
Driving source impedance					100	Ω
FCLK	Clock rate	Successive approximation input clock rate		10		MHz
Input capacitance				12		pF
Input impedance		ADC Pin 57		2.15		kΩ
		ADC Pin 58		0.7		
		ADC Pin 59		2.12		
		ADC Pin 60		1.17		
Number of channels			4			
F _{sample}	Sampling rate of each pin			62.5		KSPS
F _{input_max}	Maximum input signal frequency				31	kHz
SINAD	Signal-to-noise and distortion	Input frequency DC to 300 Hz and 1.4 V _{pp} sine wave input	55	60		dB
I _{active}	Active supply current	Average for analog-to-digital during conversion without reference current		1.5		mA
I _{PD}	Power-down supply current for core supply	Total for analog-to-digital when not active (this must be the SoC level test)		1		µA

Absolute offset error		FCLK = 10 MHz	±2	mV
-----------------------	--	---------------	----	----

Table 4-17. ADC Electrical Specifications (continued)

PARAMETER	DESCRIPTION	TEST CONDITIONS /	MIN	TYP	MAX	UNIT
Gain error				±2%		
V _{ref}	ADC reference voltage			1.467		V

4.8.5.7 Camera Parallel Port

The fast camera parallel port interfaces with a variety of external image sensors, stores the image data in a FIFO, and generates DMA requests. The camera parallel port supports 8 bits.

Figure 4-13 shows the timing diagram for the camera parallel port.

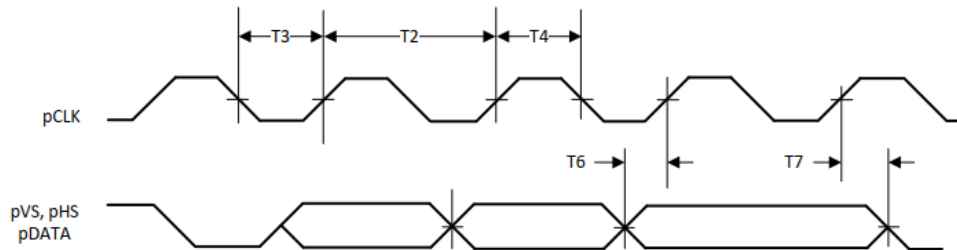


Figure 4-13. Camera Parallel Port Timing Diagram

Table 4-18 lists the timing parameters for the camera parallel port.

Table 4-18. Camera Parallel Port Timing Parameters

ITEM	NAME	DESCRIPTION	MIN	MAX	UNIT
	pCLK	Clock frequency		2	MHz
T2	T_{clk}	Clock period		$1/pCLK$	ns
T3	t_{LP}	Clock low period		$T_{clk}/2$	ns
T4	t_{HT}	Clock high period		$T_{clk}/2$	ns
T6	t_{IS}	RX data setup time		2	ns
T7	t_{IH}	RX data hold time		2	ns

4.8.5.8 UART

The BDE-WF3235 MCU includes two UARTs with the following features:

- Programmable baud-rate generator allowing speeds up to 3 Mbps
- Separate 16-bit x 8-bit TX and RX FIFOs to reduce CPU interrupt service loading
- Programmable FIFO length, including a 1-byte-deep operation providing conventional double-buffered interface
- FIFO trigger levels of 1/8, 1/4, 1/2, 3/4, and 7/8
- Standard asynchronous communication bits for start, stop, and parity
- Generation and detection of line-breaks
- Fully programmable serial interface characteristics:
 - 5, 6, 7, or 8 data bits
 - Generation and detection of even, odd, stick, or no-parity bits
 - Generation of 1 or 2 stop-bits
- RTS and CTS hardware flow support
- Standard FIFO-level and end-of-transmission interrupts
- Efficient transfers using μ DMA:
 - Separate channels for transmit and receive
 - Receive single request asserted when data is in the FIFO; burst request asserted at programmed FIFO level
 - Transmit single request asserted when there is space in the FIFO; burst request asserted at programmed FIFO level
- System clock is used to generate the baud clock.

4.8.5.9 External Flash Interface

The BDE-WF3235 MCU includes the Macronix™ 32-Mbit serial flash. The serial flash can be programmed directly using the external flash interface (pins 13, 14, 15, and 17). During normal operation, the external flash interface should remain unconnected.

For timing details, see the [MX25R3235F](#) data sheet.

4.8.5.10 SD Host

The BDE-WF3235 MCU provides an interface between a local host (LH), such as an MCU and an SD memory card, and handles SD transactions with minimal LH intervention.

The SD host does the following:

- Provides SD card access in 1-bit mode
- Deals with SD protocol at the transmission level
- Handles data packing
- Adds cyclic redundancy checks (CRC)
- Start and end bit
- Checks for syntactical correctness

The application interface sends every SD command and either polls for the status of the adapter or waits for an interrupt request. The result is then sent back to the application interface in case of exceptions or to warn of end-of-operation. The controller can be configured to generate DMA requests and work with minimum CPU intervention. Given the nature of integration of this peripheral on the CC3235x platform, we recommend that developers use peripheral library APIs to control and operate the block. This section emphasizes understanding the SD host APIs provided in the peripheral library of the [CC3235x Software Development Kit \(SDK\)](#).

The SD host features are as follows:

- Full compliance with SD command and response sets, as defined in the SD memory card
 - Specifications, v2.0
 - Includes high-capacity (size >2 GB) cards HC SD
- Flexible architecture, allowing support for new command structure.
- 1-bit transfer mode specifications for SD cards
- Built-in 1024-byte buffer for read or write
 - 512-byte buffer for both transmit and receive
 - Each buffer is 32-bits wide by 128-words deep
- 32-bit-wide access bus to maximize bus throughput
- Single interrupt line for multiple interrupt source events
- Two slave DMA channels (1 for TX, 1 for RX)
- Programmable clock generation
- Integrates an internal transceiver that allows a direct connection to the SD card without external transceiver
- Supports configurable busy and response timeout
- Support for a wide range of card clock frequency with odd and even clock ratio
- Maximum frequency supported is 24 MHz

4.8.5.11 Timers

Programmable timers can be used to count or time external events that drive the timer input pins. The general-purpose timer module (GPTM) of the BDE-WF3235 MCU contains 16- or 32-bit GPTM blocks. Each 16- or 32-bit GPTM block provides two 16-bit timers or counters (referred to as Timer A and Timer B) that can be configured to operate independently as timers or event counters, or they can be concatenated to operate as one 32-bit timer. Timers can also be used to trigger μ DMA transfers.

The GPTM contains four 16- or 32-bit GPTM blocks with the following functional options:

- Operating modes:
 - 16- or 32-bit programmable one-shot timer
 - 16- or 32-bit programmable periodic timer
 - 16-bit general-purpose timer with an 8-bit prescaler
 - 16-bit input-edge count- or time-capture modes with an 8-bit prescaler
 - 16-bit PWM mode with an 8-bit prescaler and software-programmable output inversion of the PWM signal
- Counts up or counts down
- Sixteen 16- or 32-bit capture compare pins (CCP)
- User-enabled stalling when the microcontroller asserts CPU Halt flag during debug
- Ability to determine the elapsed time between the assertion of the timer interrupt and entry into the interrupt service routine
- Efficient transfers using micro direct memory access controller (μ DMA):
 - Dedicated channel for each timer
 - Burst request generated on timer interrupt
- Runs from system clock (80 MHz)

5. Detailed Description

5.1 Overview

The BDE-WF3235 MCU is a Dual-Band Wi-Fi internet-on-a chip module that consists of an Arm Cortex-M4 processor with a rich set of peripherals for diverse application requirements, a Wi-Fi network processor, and power-management subsystems.

5.2 Functional Block Diagram

Figure 5-1 shows the functional block diagram of the BDE-WF3235 solution.

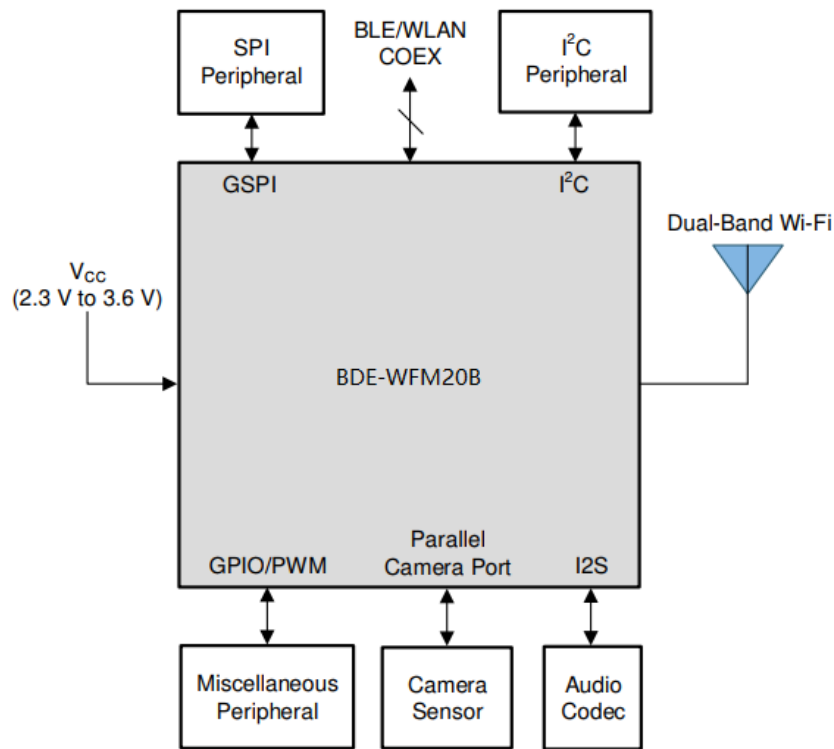


Figure 5-1. Functional Block Diagram

5.3 Arm Cortex-M4 Processor Core Subsystem

The high-performance Arm Cortex-M4 processor provides a low-cost platform that meets the needs of minimal memory implementation, reduced pin count, and low power consumption, while delivering outstanding computational performance and exceptional system response to interrupts.

- The Cortex-M4 core has low-latency interrupt processing with the following features:
 - A 32-bit Arm Thumb® instruction set optimized for embedded applications
 - Handler and thread modes
 - Low-latency interrupt handling by automatic processor state saving and restoration during entry and exit
 - Support for ARMv6 unaligned accesses
- Nested vectored interrupt controller (NVIC) closely integrated with the processor core to achieve low-latency interrupt processing. The NVIC includes the following features:
 - Bits of priority configurable from 3 to 8
 - Dynamic reprioritization of interrupts
 - Priority grouping that enables selection of preempting interrupt levels and nonpreempting interrupt levels
 - Support for tail-chaining and late arrival of interrupts, which enables back-to-back interrupt processing without the overhead of state saving and restoration between interrupts
 - Processor state automatically saved on interrupt entry and restored on interrupt exit with no instruction overhead
 - Wake-up interrupt controller (WIC) providing ultra-low-power sleep mode support
- Bus interfaces:
 - Advanced high-performance bus (AHB-Lite) interfaces: system bus interfaces
 - Bit-band support for memory and select peripheral that includes atomic bit-band write and read operations
- Low-cost debug solution featuring:
 - Debug access to all memory and registers in the system, including access to memory-mapped devices, access to internal core registers when the core is halted, and access to debug control registers even while SYSRESETn is asserted
 - Serial wire debug port (SW-DP) or serial wire JTAG debug port (SWJ-DP) debug access
 - Flash patch and breakpoint (FPB) unit to implement breakpoints and code patches

5.4 Wi-Fi Network Processor Subsystem

The Wi-Fi network processor subsystem includes a dedicated Arm MCU to completely offload the host MCU along with an 802.11 a/b/g/n radio, baseband, and MAC with a powerful crypto engine for a fast, secure WLAN and Internet connections with 256-bit encryption. The BDE-WF3235 MCU supports station, AP, and Wi-Fi Direct modes. The module also supports WPA2 personal and enterprise security, WPS 2.0, and WPA3 personal ¹. The Wi-Fi network processor includes an embedded IPv6, IPv4 TCP/IP stack, TLS stack, and network applications such as HTTPS server.

5.4.1 WLAN

The WLAN features are as follows:

- 802.11 a/b/g/n integrated radio, modem, and MAC supporting WLAN communication as a BSS station, AP, Wi-Fi Direct client and group owner with CCK and OFDM rates in the 2.4 GHz ISM band, channels 1 to 13, and 5 GHz U-NII band.

Note

802.11n is supported only in Wi-Fi station, Wi-Fi Direct, and P2P client modes.

- Autocalibrated radio with a single-ended 50-Ω interface enables easy connection to the antenna without requiring expertise in radio circuit design.
- Advanced connection manager with multiple user-configurable profiles stored in serial-flash allows automatic fast connection to an access point without user or host intervention.
- Supports all common Wi-Fi security modes for personal and enterprise networks with on-chip security accelerators, including: WEP, WPA/WPA2 PSK, WPA2 Enterprise (802.1x), WPA3 Personal .
- Smart provisioning options deeply integrated within the module providing a comprehensive end-to-end solution. With elaborate events notification to the host, enabling the application to control the provisioning decision flow. The wide variety of Wi-Fi provisioning methods include:
 - Access Point using HTTPS
 - SmartConfig Technology: a 1-step, 1-time process to connect a BDE-WF3235-enabled module to the home wireless network, removing dependency on the I/O capabilities of the host MCU; thus, it is usable by deeply embedded applications
- 802.11 transceiver mode allows transmitting and receiving of proprietary data through a socket without adding MAC or PHY headers. The 802.11 transceiver mode provides the option to select the working channel, rate, and transmitted power. The receiver mode works with the filtering options.

5.4.2 Network Stack

The Network Stack features are as follows:

- Integrated IPv4, IPv6 TCP/IP stack with BSD socket APIs for simple Internet connectivity with any MCU, microprocessor, or ASIC

Note

Not all APIs are 100% BSD compliant. Not all BSD APIs are supported.

- Support of 16 simultaneous TCP, UDP, RAW, SSL/TLS sockets
- Built-in network protocols:
 - Static IP, LLA, DHCPv4, DHCPv6 with DAD and stateless autoconfiguration
 - ARP, ICMPv4, IGMP, ICMPv6, MLD, ND
 - DNS client for easy connection to the local network and the Internet

¹ See CC3x35 SDK v3.40 or newer for details. Limited to STA mode only.

- Built-in network application and utilities:
 - HTTP/HTTPS
 - Web page content stored on serial flash
 - RESTful APIs for setting and configuring application content
 - Dynamic user callbacks
 - Service discovery: Multicast DNS service discovery lets a client advertise its service without a centralized server. After connecting to the access point, the BDE-WF3235 MCU provides critical information, such as device name, IP, vendor, and port number.
 - DHCP server
 - Ping

Table 5-1 describes the NWP features.

Table 5-1. NWP Features

Feature	Description
Wi-Fi standards	802.11a/b/g/n station 802.11a/b/g AP supporting up to four stations Wi-Fi Direct client and group owner
Wi-Fi channels	2.4 GHz ISM and 5 GHz U-NII Channels
Channel Bandwidth	20 MHz
Wi-Fi security	WEP, WPA/WPA2 PSK, WPA2 enterprise (802.1x), WPA3 personal ⁽¹⁾
Wi-Fi provisioning	SmartConfig technology, Wi-Fi protected setup (WPS2), AP mode with internal HTTP web server
IP protocols	IPv4/IPv6
IP addressing	Static IP, LLA, DHCPv4, DHCPv6 with DAD
Cross layer	ARP, ICMPv4, IGMP, ICMPv6, MLD, NDP
Transport	UDP, TCP SSLv3.0/TLSv1.0/TLSv1.1/TLSv1.2 RAW
Network applications and utilities	Ping HTTP/HTTPS web server mDNS DNS-SD DHCP server
Host interface	UART/SPI
Security	Device identity Trusted root-certificate catalog TI root-of-trust public key The CC3235S and CC3235SF variants also support: <ul style="list-style-type: none"> • Secure key storage • Online certificate status protocol (OCSP) • Certificate signing request (CSR) • Unique per device Key-Pair • File system security • Software tamper detection • Cloning protection • Secure boot • Validate the integrity and authenticity of the run-time binary during boot • Initial secure programming

Table 5-1. NWP Features (continued)

Feature	Description
Power management	Enhanced power policy management uses 802.11 power save and deep-sleep power modes
Other	Transceiver Programmable RX filters with event-trigger mechanism Rx Metrics for tracking the surrounding RF

(1) See CC3x35 SDK v3.40 or newer for details. Limited to STA mode only.

5.5 Security

The BDE-WF3235 internet-on-a chip module enhances the security capabilities available for development of IoT devices, while completely offloading these activities from the MCU to the networking subsystem. The security capabilities include the following key features:

Wi-Fi and Internet Security:

- Personal and enterprise Wi-Fi security
 - Personal standards
 - AES (WPA2-PSK)
 - TKIP (WPA-PSK)
 - WEP
 - Enterprise standards
 - EAP Fast
 - EAP PEAPv0/1
 - EAP PEAPv0 TLS
 - EAP PEAPv1 TLS EAP LS
 - EAP TLS
 - EAP TTLS TLS
 - EAP TTLS MSCHAPv2
- Secure sockets
 - Protocol versions: SSL v3, TLS 1.0, TLS 1.1, TLS 1.2
 - Powerful crypto engine for fast, secure Wi-Fi and internet connections with 256-bit AES encryption for TLS and SSL connections
 - Ciphers suites
 - SL_SEC_MASK_SSL_RSA_WITH_RC4_128_SHA
 - SL_SEC_MASK_SSL_RSA_WITH_RC4_128_MD5
 - SL_SEC_MASK_TLS_RSA_WITH_AES_256_CBC_SHA
 - SL_SEC_MASK_TLS_DHE_RSA_WITH_AES_256_CBC_SHA
 - SL_SEC_MASK_TLS_ECDHE_RSA_WITH_AES_256_CBC_SHA
 - SL_SEC_MASK_TLS_ECDHE_RSA_WITH_RC4_128_SHA
 - SL_SEC_MASK_TLS_RSA_WITH_AES_128_CBC_SHA256
 - SL_SEC_MASK_TLS_RSA_WITH_AES_256_CBC_SHA256
 - SL_SEC_MASK_TLS_ECDHE_RSA_WITH_AES_128_CBC_SHA256
 - SL_SEC_MASK_TLS_ECDHE_ECDSA_WITH_AES_128_CBC_SHA256
 - SL_SEC_MASK_TLS_ECDHE_ECDSA_WITH_AES_128_CBC_SHA
 - SL_SEC_MASK_TLS_ECDHE_ECDSA_WITH_AES_256_CBC_SHA

- SL_SEC_MASK_TLS_RSA_WITH_AES_128_GCM_SHA256
- SL_SEC_MASK_TLS_RSA_WITH_AES_256_GCM_SHA384

- SL_SEC_MASK_TLS_DHE_RSA_WITH_AES_128_GCM_SHA256
- SL_SEC_MASK_TLS_DHE_RSA_WITH_AES_256_GCM_SHA384
- SL_SEC_MASK_TLS_ECDHE_RSA_WITH_AES_128_GCM_SHA256
- SL_SEC_MASK_TLS_ECDHE_RSA_WITH_AES_256_GCM_SHA384
- SL_SEC_MASK_TLS_ECDHE_ECDSA_WITH_AES_128_GCM_SHA256
- SL_SEC_MASK_TLS_ECDHE_ECDSA_WITH_AES_256_GCM_SHA384
- SL_SEC_MASK_TLS_ECDHE_ECDSA_WITH_CHACHA20_POLY1305_SHA256
- SL_SEC_MASK_TLS_ECDHE_RSA_WITH_CHACHA20_POLY1305_SHA256
- SL_SEC_MASK_TLS_DHE_RSA_WITH_CHACHA20_POLY1305_SHA256
- Server authentication
- Client authentication
- Domain name verification
- Runtime socket upgrade to secure socket – STARTTLS
- Secure HTTP server (HTTPS)
- Trusted root-certificate catalog – Verifies that the CA used by the application is trusted and known secure content delivery
- TI root-of-trust public key – Hardware-based mechanism that allows authenticating TI as the genuine origin of a given content using asymmetric keys
- Secure content delivery – Allows encrypted file transfer to the system using asymmetric keys created by the device

Code and Data Security:

- Network passwords and certificates are encrypted and signed
- Cloning protection – Application and data files are encrypted by a unique key per device
- Access control – Access to application and data files only by using a token provided in file creation time. If an unauthorized access is detected, a tamper protection lockdown mechanism takes effect
- Encrypted and authenticated file system
- Secured boot – Authentication of the application image on every boot
- Code and data encryption – User application and data files are encrypted in sFlash
- Code and data authentication – User Application and data files are authenticated with a public key certificate
- Offloaded crypto library for asymmetric keys, including the ability to create key-pair, sign and verify data buffer
- Recovery mechanism

Device Security:

- Separate execution environments – Application processor and network processor run on separate Arm cores
- Initial secure programming – Allows for keeping the content confidential on the production line
- Debug security
 - JTAG lock
 - Debug ports lock
- True random number generator

Figure 5-2 shows the high-level structure of the CC3235SF device that is contained within the BDE-WF3235 module. The application image, user data, and network information files (passwords, certificates) are encrypted

using a device-specific key.

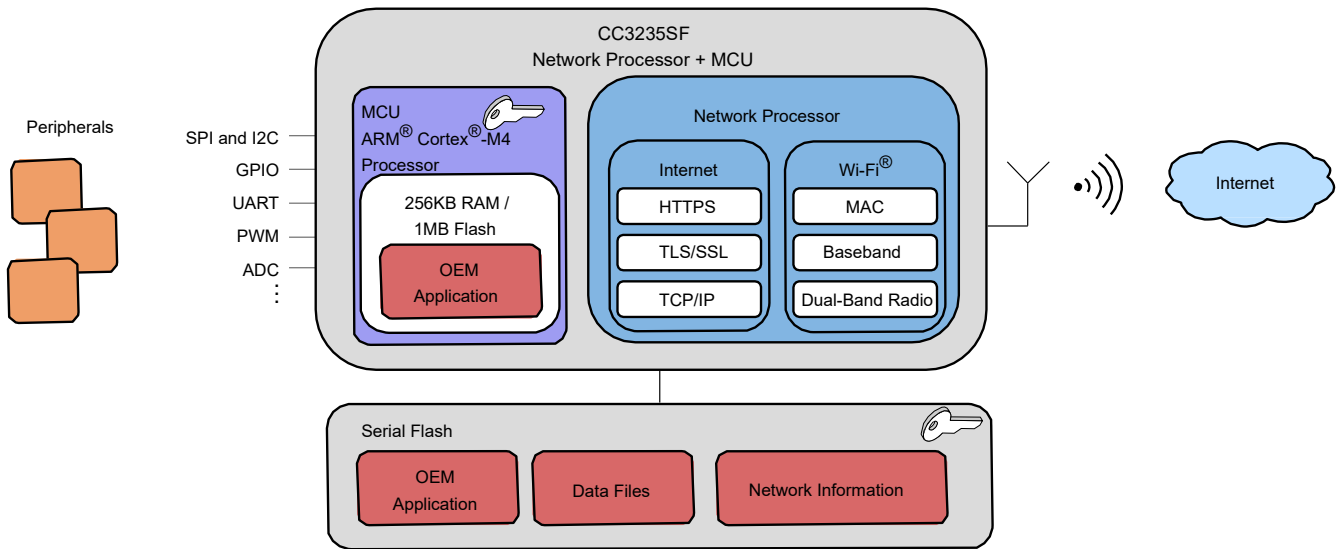


Figure 5-2. CC3235SF High-Level Structure

5.6 Power-Management Subsystem

The BDE-WF3235 power-management subsystem contains DC/DC converters to accommodate the differing voltage or current requirements of the system.

The BDE-WF3235 MCU is a fully integrated module-based WLAN radio solution used on an embedded system with a wide-voltage supply range. The internal power management, including DC/DC converters and LDOs, generates all of the voltages required for the module to operate from a wide variety of input sources. For maximum flexibility, the module can operate in the modes described in the following sections.

5.6.1 VBAT Wide-Voltage Connection

In the wide-voltage battery connection, the module can be directly connected to two AA alkaline batteries. All other voltages required to operate the module are generated internally by the DC/DC converters. This scheme is the most common mode for the module because it supports wide-voltage operation from 2.3 to 3.6 V.

5.7 Low-Power Operating Mode

From a power-management perspective, the BDE-WF3235 MCU comprises the following two independent subsystems:

- Arm Cortex-M4 application processor subsystem
- Networking subsystem

Each subsystem operates in one of several power states.

The Arm Cortex-M4 application processor runs the user application loaded from an internal serial flash, or on-module XIP flash. The networking subsystem runs preprogrammed TCP/IP and Wi-Fi data link layer functions.

The user program controls the power state of the application processor subsystem and can be in one of the five modes described in [Table 5-2](#).

Table 5-2. User Program Modes

APPLICATION PROCESSOR (MCU) MODE ⁽¹⁾	DESCRIPTION
MCU active mode	MCU executing code at 80-MHz state rate.
MCU sleep mode	The MCU clocks are gated off in sleep mode and the entire state of the device is retained. Sleep mode offers instant wakeup. The MCU can be configured to wake up by an internal fast timer or by activity from any GPIO line or peripheral.
MCU LPDS mode	State information is lost and only certain MCU-specific register configurations are retained. The MCU can wake up from external events or by using an internal timer. (The wake-up time is less than 3ms.) Certain parts of memory can be retained while the MCU is in LPDS mode. The amount of memory retained is configurable. Users can choose to preserve code and the MCU-specific setting. The MCU can be configured to wake up using the RTC timer or by an external event on specific GPIOs as the wake-up source.
MCU hibernate mode	The lowest power mode in which all digital logic is power-gated. Only a small section of the logic directly powered by the input supply is retained. The RTC keeps running and the MCU supports wakeup from an external event or from an RTC timer expiry. Wake-up time is longer than LPDS mode at about 15 ms plus the time to load the application from serial flash, which varies according to code size. In this mode, the MCU can be configured to wake up using the RTC timer or external event on a GPIO.
MCU shutdown mode	The lowest power mode system-wise. All device logics are off, including the RTC. The wake-up time in this mode is longer than hibernate at about 1.1 s. To enter or exit the shutdown mode, the state of the nRESET line is changed (low to shut down, high to turn on).

(1) Modes are listed in order of power consumption, with highest power modes listed first.

The NWP can be active or in LPDS mode and takes care of its own mode transitions. When there is no network activity, the NWP sleeps most of the time and wakes up only for beacon reception (see [Table 5-3](#)).

Table 5-3. Networking Subsystem Modes

NETWORK PROCESSOR MODE	DESCRIPTION
Network active mode (processing layer 3, 2, and 1)	Transmitting or receiving IP protocol packets
Network active mode (processing layer 2 and 1)	Transmitting or receiving MAC management frames; IP processing not required.
Network active listen mode	Special power optimized active mode for receiving beacon frames (no other frames supported)
Network connected Idle	A composite mode that implements 802.11 infrastructure power save operation. The BDE-WF3235 NWPs automatically go into LPDS mode between beacons and then wakes to active listen mode to receive a beacon and determine if there is pending traffic at the AP. If not, the NWP returns to LPDS mode and the cycle repeats.
Network LPDS mode	Low-power state between beacons in which the state is retained by the NWP, allowing for a rapid wake up.
Network disabled	The network is disabled

The operation of the application and network processor ensures that the module remains in the lowest power mode most of the time to preserve battery life.

The following examples show the use of the power modes in applications:

- A product that is continuously connected to the network in the 802.11 infrastructure power-save mode but sends and receives little data spends most of the time in connected idle, which is a composite of receiving a beacon frame and waiting for the next beacon.
- A product that is not continuously connected to the network but instead wakes up periodically (for example, every 10 minutes) to send data, spends most of the time in hibernate mode, jumping briefly to active mode to transmit data.

5.8 Memory

5.8.1 Internal Memory

The CC3235SF device within the BDE-WF3235 module includes on-chip SRAM to which application programs are downloaded and executed. The application developer must share the SRAM for code and data. The micro direct memory access (μ DMA) controller can transfer data to and from SRAM and various peripherals. The CC3235SF device ROM holds the rich set of peripheral drivers, which saves SRAM space. For more information on drivers, see the CC3235SF API list.

5.8.1.1 SRAM

The BDE-WF3235 MCU family provides 256KB of on-chip SRAM. Internal RAM is capable of selective retention during LPDS mode. This internal SRAM is at offset 0x2000 0000 of the device memory map.

Use the μ DMA controller to transfer data to and from the SRAM.

When the device enters low-power mode, the application developer can choose to retain a section of memory based on need. Retaining the memory during low-power mode provides a faster wakeup. The application developer can choose the amount of memory to retain in multiples of 64KB. For more information, see the API guide.

5.8.1.2 ROM

The internal zero-wait-state ROM of the BDE-WF3235 module is at address 0x0000 0000 of the device memory and is programmed with the following components:

- Bootloader
- Peripheral driver library (DriverLib) release for product-specific peripherals and interfaces

The bootloader is used as an initial program loader (when the serial flash memory is empty). The DriverLib software library of the BDE-WF3235 MCU controls on-chip peripherals with a bootloader capability. The library performs peripheral initialization and control functions, with a choice of polled or interrupt-driven peripheral support. The DriverLib APIs in ROM can be called by applications to reduce flash memory requirements and free the flash memory to be used for other purposes.

5.8.1.3 Flash Memory

The CC3235SF device within the BDE-WF3235 modules comes with an on-chip flash memory of 1MB that allows application code to execute in place while freeing SRAM exclusively for read-write data. The flash memory is used for code and constant data sections and is directly attached to the ICODE/ DCODE bus of the Arm Cortex-M4 core. A 128-bit-wide instruction prefetch buffer allows maintenance of maximum performance for linear code or loops that fit inside the buffer.

The flash memory is organized as 2-KB sectors that can be independently erased. Reads and writes can be performed at word (32-bit) level.

5.8.1.4 Memory Map

[Table 5-4](#) describes the various MCU peripherals and how they are mapped to the processor memory. For more information on peripherals, see the API document.

Table 5-4. Memory Map

START ADDRESS	END ADDRESS	DESCRIPTION	COMMENT
0x0000 0000	0x0007 FFFF	On-chip ROM (bootloader + DriverLib)	
0x0100 0000	0x010F FFFF	On-chip flash (for user application code)	SF devices only
0x2000 0000	0x2003 FFFF	Bit-banded on-chip SRAM	
0x2200 0000	0x23FF FFFF	Bit-band alias of 0x2000 0000 to 0x200F FFFF	
0x4000 0000	0x4000 0FFF	Watchdog timer A0	
0x4000 4000	0x4000 4FFF	GPIO port A0	
0x4000 5000	0x4000 5FFF	GPIO port A1	
0x4000 6000	0x4000 6FFF	GPIO port A2	
0x4000 7000	0x4000 7FFF	GPIO port A3	
0x4000 C000	0x4000 CFFF	UART A0	
0x4000 D000	0x4000 DFFF	UART A1	
0x4002 0000	0x4000 07FF	I ² C A0 (master)	
0x4002 4000	0x4002 4FFF	GPIO group 4	
0x4002 0800	0x4002 0FFF	I ² C A0 (slave)	
0x4003 0000	0x4003 0FFF	General-purpose timer A0	
0x4003 1000	0x4003 1FFF	General-purpose timer A1	
0x4003 2000	0x4003 2FFF	General-purpose timer A2	
0x4003 3000	0x4003 3FFF	General-purpose timer A3	
0x400F7000	0x400F 7FFF	Configuration registers	
0x400F E000	0x400F EFFF	System control	
0x400F F000	0x400F FFFF	μDMA	
0x4200 0000	0x43FF FFFF	Bit band alias of 0x4000 0000 to 0x400F FFFF	
0x4401 0000	0x4401 0FFF	SDIO master	
0x4401 8000	0x4401 8FFF	Camera Interface	
0x4401 C000	0x4401 DFFF	McASP	
0x4402 0000	0x4402 0FFF	SSPI	Used for external serial flash
0x4402 1000	0x4402 1FFF	GSPI	Used by application processor
0x4402 5000	0x4402 5FFF	MCU reset clock manager	
0x4402 6000	0x4402 6FFF	MCU configuration space	
0x4402 D000	0x4402 DFFF	Global power, reset, and clock manager (GPRCM)	
0x4402 E000	0x4402 EFFF	MCU shared configuration	
0x4402 F000	0x4402 FFFF	Hibernate configuration	
0x4403 0000	0x4403 FFFF	Crypto range (includes apertures for all crypto-related blocks as follows)	
0x4403 0000	0x4403 0FFF	DTHE registers and TCP checksum	
0x4403 5000	0x4403 5FFF	MD5/SHA	
0x4403 7000	0x4403 7FFF	AES	
0x4403 9000	0x4403 9FFF	DES	
0xE000 0000	0xE000 0FFF	Instrumentation trace Macrocell™	
0xE000 1000	0xE000 1FFF	Data watchpoint and trace (DWT)	
0xE000 2000	0xE000 2FFF	Flash patch and breakpoint (FPB)	
0xE000 E000	0xE000 EFFF	NVIC	
0xE004 0000	0xE004 0FFF	Trace port interface unit (TPIU)	
0xE004 1000	0xE004 1FFF	Reserved for embedded trace macrocell (ETM)	
0xE004 2000	0xE00F FFFF	Reserved	

5.9 Restoring Factory Default Configuration

The module has an internal recovery mechanism that rolls back the file system to its predefined factory image or restoring the factory default parameters of the device. The factory image is kept in a separate sector on the sFLASH in a secure manner and cannot be accessed from the host processor. The following restore modes are supported:

- None—no factory restore settings
- Enable restore of factory default parameters
- Enable restore of factory image and factory default parameters

The restore process is performed by calling software APIs, or by pulling or forcing SOP[2:0] = 011 pins and toggling the nRESET pin from low to high.

The process is fail-safe and resumes operation if a power failure occurs before the restore is finished. The restore process typically takes about 8 seconds, depending on the attributes of the serial flash vendor.

5.10 Boot Modes

The BDE-WF3235 MCU implements a sense-on-power (SoP) scheme to determine the device operation mode.

SoP values are sensed from the module pin during power up. This encoding determines the boot flow. Before the device is taken out of reset, the SoP values are copied to a register and used to determine the device operation mode while powering up. These values determine the boot flow as well as the default mapping for some of the pins (JTAG, SWD, UART0). [Table 5-5](#) lists the pull configurations.

BDE-WF3235 contains internal pulldown resistors on the SOP[2:0] lines. The application can use SOP2 for other functions after chip has powered up. However, to avoid spurious SOP values from being sensed at power up, we strongly recommends using the SOP2 pin only for output signals. The SOP0 and SOP1 pins are multiplexed with the WLAN analog test pins and are not available for other functions.

Table 5-5. BDE-WF3235 Functional Configurations

NAME	SOP[2]	SOP[1]	SOP[0]	SoP MODE	COMMENT
UARTLOAD	Pullup	Pulldown	Pulldown	LDfrUART	Factory, lab flash, and SRAM loads through the UART. The device waits indefinitely for the UART to load code. The SOP bits then must be toggled to configure the device in functional mode. Also puts JTAG in 4-wire mode.
FUNCTIONAL_2WJ	Pulldown	Pulldown	Pullup	Fn2WJ	Functional development mode. In this mode, 2-pin SWD is available to the developer. TMS and TCK are available for debugger connection.
FUNCTIONAL_4WJ	Pulldown	Pulldown	Pulldown	Fn4WJ	Functional development mode. In this mode, 4-pin JTAG is available to the developer. TDI, TMS, TCK, and TDO are available for debugger connection. The default configuration for BDE-WF3235 MCU.

Table 5-5. BDE-WF3235 Functional Configurations (continued)

NAME	SOP[2]	SOP[1]	SOP[0]	SoP MODE	COMMENT
UARTLOAD_FUNCTIONAL_4WJ	Pulldown	Pullup	Pulldown	LDfrUART_FnWJ	Supports flash and SRAM load through UART and functional mode. The MCU bootloader tries to detect a UART break on UART receive line. If the break signal is present, the device enters the UARTLOAD mode, otherwise, the device enters the functional mode. TDI, TMS, TCK, and TDO are available for debugger connection.
RET_FACTORY_IMAGE	Pulldown	Pullup	Pullup	RetFactDef	When module reset is toggled, the MCU bootloader kickstarts the procedure to restore factory default images.

5.11 Hostless Mode

The BDE-WF3235 device incorporates a scripting ability that enables offloading of simple tasks from the host processor. Using simple and conditional scripts, repetitive tasks can be handled internally, which allows the host processor to remain in a low-power state. In some cases where the scripter is being used to send packets, it reduces code footprint and memory consumption. The *if-this-then-that* style conditioning can include anything from GPIO toggling to transmitting packets.

The conditional scripting abilities can be divided into conditions and actions. The conditions define when to trigger actions. Only one action can be defined per condition, but multiple instances of the same condition may be used, so in effect multiple actions can be defined for a single condition. In total, 16 condition and action pairs can be defined. The conditions can be simple, or complex using sub-conditions (using a combinatorial AND condition between them). The actions are divided into two types, those that can occur during runtime and those that can occur only during the initialization phase.

The following actions can only be performed when triggered by the pre-initialization condition:

- Set roles AP, station, P2P, and Tag modes
- Delete all stored profiles
- Set connection policy
- Hardware GPIO indication allows an I/O to be driven directly from the WLAN core hardware to indicate internal signaling

The following actions may be activated during runtime:

- Send transceiver packet
- Send UDP packet
- Send TCP packet
- Increment counter increments one of the user counters by 1
- Set counter allows setting a specific value to a counter
- Timer control
- Set GPIO allows GPIO output from the device using the internal networking core
- Enter Hibernate state

Note

Consider the following limitations:

- Timing cannot be ensured when using the network scripter because some variable latency will apply depending on the utilization of the networking core.
 - The scripter is limited to 16 pairs of conditions and reactions.
 - Both timers and counters are limited to 8 instances each. Timers are limited to a resolution of 1 second. Counters are 32 bits wide.
 - Packet length is limited to the size of one packet and the number of possible packet tokens is limited to 8.
-

6. Applications, Implementation, and Layout

6.1 Typical Application

6.1.1 BLE/2.4 GHz Radio Coexistence

The BDE-WF3235 device is designed to support BLE/2.4 GHz radio coexistence. Because WLAN is inherently more tolerant to time-domain disturbances, the coexistence mechanism gives priority to the Bluetooth® low energy entity over the WLAN. Bluetooth® low energy operates in the 2.4 GHz band, therefore the coexistence mechanism does not affect the 5 GHz band. The BDE-WF3235 device can operate normally on the 5 GHz band, while the Bluetooth® low energy works on the 2.4 GHz band without mutual interference.

The following coexistence modes can be configured by the user:

- Off mode or intrinsic mode
 - No BLE/2.4 GHz radio coexistence, or no synchronization between WLAN and Bluetooth® low energy— in case Bluetooth® low energy exists in this mode, collisions can randomly occur.
- Time Division Multiplexing (TDM, Dual Antenna)
 - Dual-band Wi-Fi (see [Figure 6-1](#))
 - In this mode, the WLAN can operate on either a 2.4 or 5 GHz band and Bluetooth® low energy operates on the 2.4 GHz band.

[Figure 6-1](#) shows the dual antenna implementation of a complete Bluetooth® low energy and WLAN coexistence network with the WLAN operating on either a 2.4- or a 5 GHz band. Note in this implementation a Coex switch is not required and only a single GPIO from the BLE device to the BDE-WF3235 device is needed.

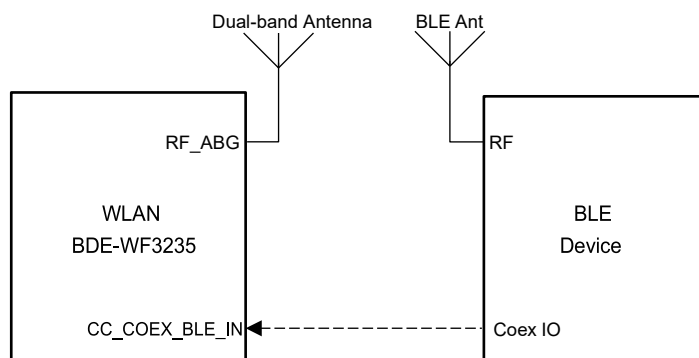


Figure 6-1. Dual-Antenna Coexistence Mode Block Diagram

6.1.2 Typical Application Schematic

Figure 6-2 shows the typical application schematic using the BDE-WF3235 module.

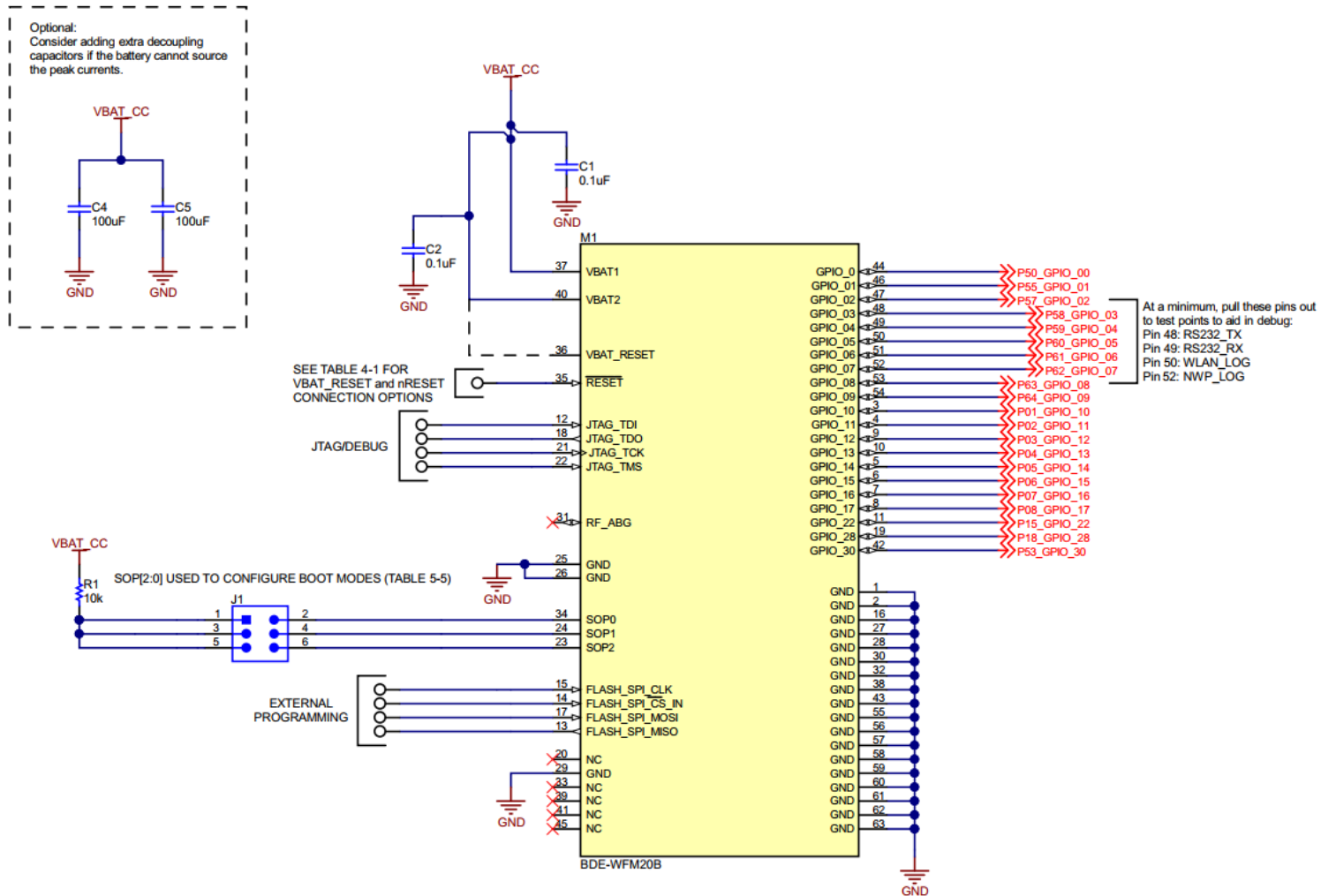


Figure 6-2. BDE-WF3235 Typical Application Schematic

Table 6-1 provides the bill of materials for a typical application using the BDE-WF3235 module in Figure 6-2.

Table 6-1. Bill of Materials

QTY	PART REFERENCE	VALUE	MANUFACTURER	PART NUMBER	DESCRIPTION
2	C1, C2	0.1 μ F	Murata	GRM155R61A104KA01D	Capacitor, ceramic, 0.1 μ F, 10 V, \pm 10%, X5R, 0402
2	C4, C5	100 μ F	Murata	LMK325ABJ107MMHT	Capacitor, ceramic, 100 μ F, 10 V, \pm 20%, X5R, AEC-Q200 Grade 3, 1210
1	R1	10 k	Vishay-Dale	CRCW040210K0JNED	RES, 10k, 5%, 0.063 W, AEC-Q200 Grade 0, 0402
1	M1	BDE-WF3235	BDE	BDE-WF3235	Wi-Fi [®] and Internet-of-Things Module Solution, a Single-Chip Wireless Dual-Band MCU

6.2 Device Connection and Layout Fundamentals

6.2.1 Power Supply Decoupling and Bulk Capacitors

Depending upon routing resistors and battery type, we recommend adding two 100- μ F ceramic capacitors to help provide the peak current drawn by the BDE-WF3235 module.

Note

The module enters a brown-out condition whenever the input voltage dips below VBROWN (see [Figure 4-1](#) and [Figure 4-2](#)). This condition must be considered during design of the power supply routing specifically if operating from a battery. For more details on brown-out consideration, see [Section 4.5](#).

6.2.2 Reset

The module features an internal RC circuit to reset the device during power ON. The nRESET pin must be held below 0.6 V for at least 5 ms for the device to successfully reset.

6.2.3 Unused Pins

All unused pins can be left unconnected without the concern of having leakage current.

6.3 PCB Layout Guidelines

This section details the PCB guidelines to speed up the PCB design using the BDE-WF3235. We recommend customers follow the guidelines described in this section to achieve similar performance to that obtained with the our reference design.

Ensure that the following general layout recommendations are followed:

- Have a solid ground plane and ground vias under the module for stable system and thermal dissipation.
- Do not run signal traces underneath the module on a layer where the module is mounted.

Use the following guidelines to lay out the BDE-WF3235 module with a chip antenna, as shown in [Figure 6-3](#).

- The module must have a 6.2mm clearance on all layers (no copper) to the left and right of the module placement.
- There must be at least one ground-reference plane under the module on the main PCB.



Figure 6-3. BDE-WF3235 Layout Guidelines

7. Mechanical Specifications

7.1 Dimensions

The module dimensions are presented in the following figure:

Note: All dimensions are in mm

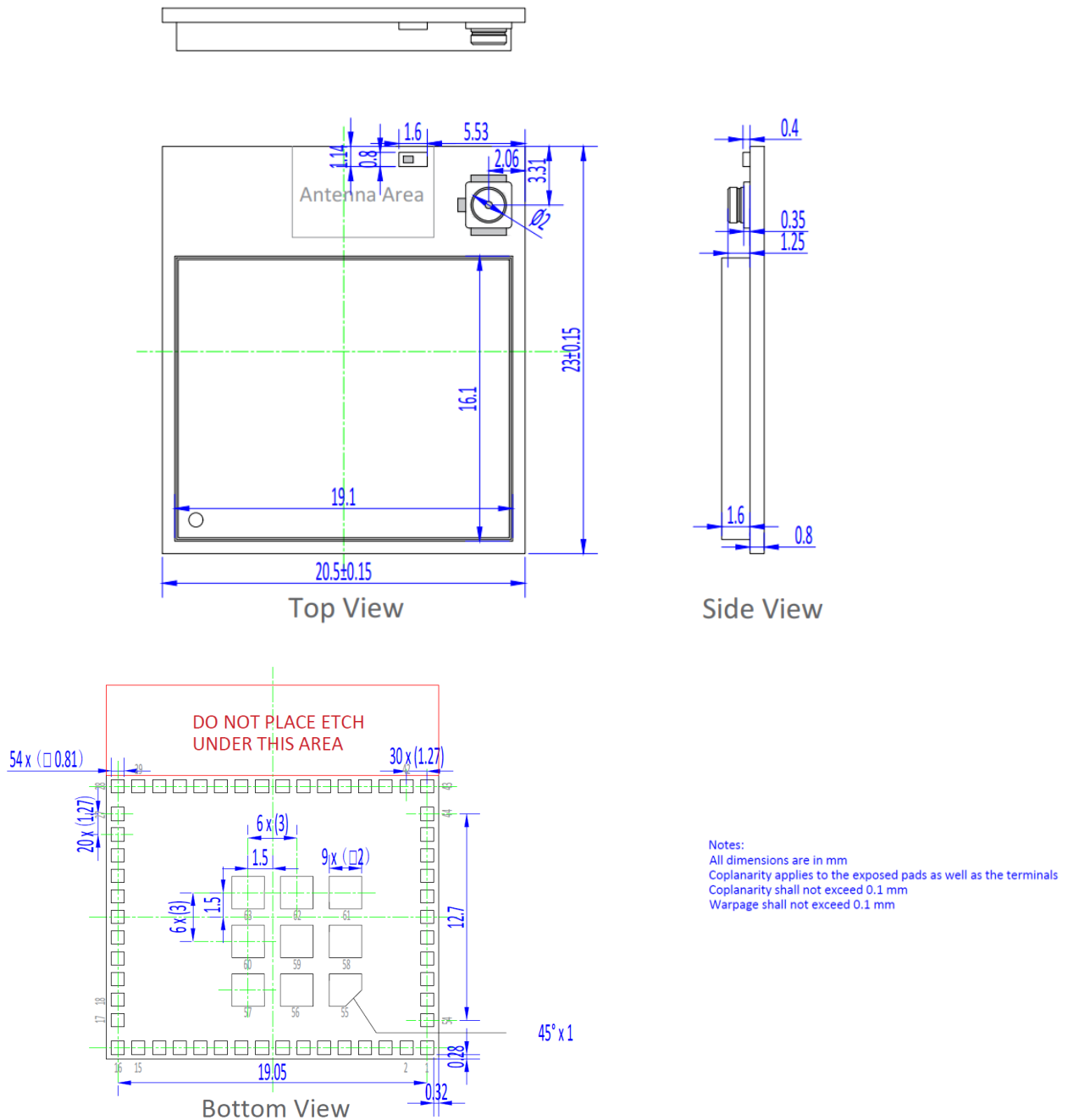


Figure 7-1: Mechanical Drawing

7.2 PCB Footprint

The footprint for the PCB is presented in the following figure:

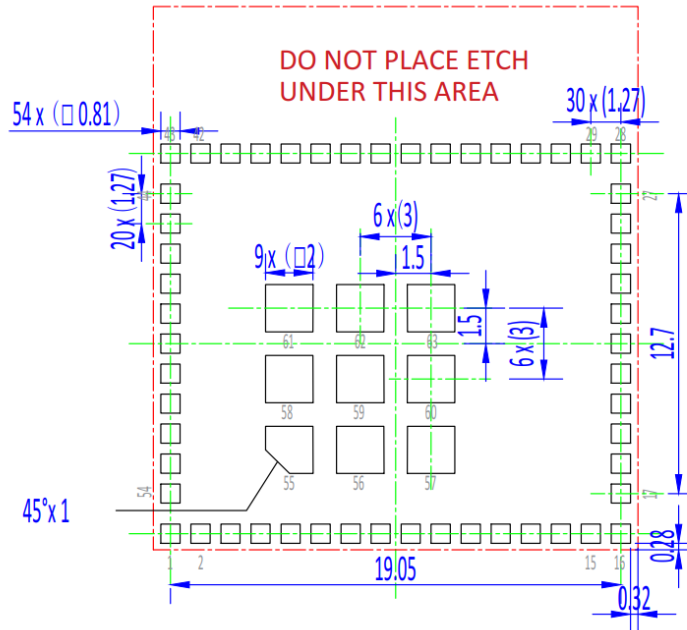


Figure 7-2: Module Footprint Top View

7.3 Marking

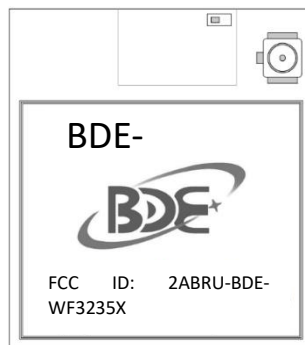


Figure 7-3: Indicative Module Shield Marking

8. Ordering Information

Table 10-1: Ordering Information

Part Number	Size (mm)	Shipping Form	MOQ
BDE-WF3235	20.5 x 23 x 2.4	Tape & Reel	1000

9. Revision History

Revision	Date	Description
V1.0	27-July-2020	Initial Released
V2.0	28-Dec-2021	Changing the module name

Contacts

BDE Technology Inc.

USA: 67 E Madison St, # 1603A, Chicago, IL 60603, US

Tel: +1-312-379-9589

Website: <http://www.bdecomm.com> Email: info@bdecomm.com

China: B2-403, 162 Science Avenue, Huangpu District, Guangzhou 510663, China

Tel: +86-20-28065335

Website: <http://www.bdecomm.com> Email: sales@bdecomm.com