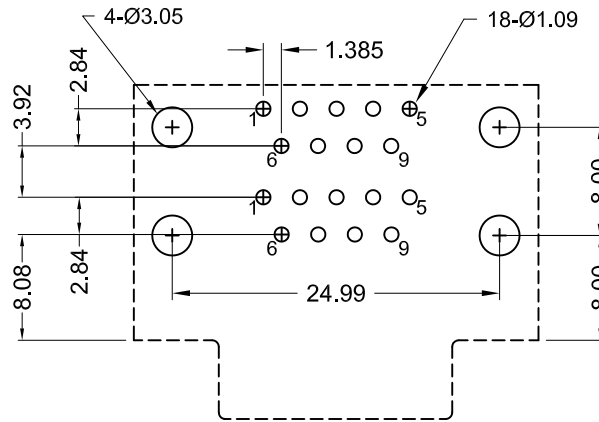
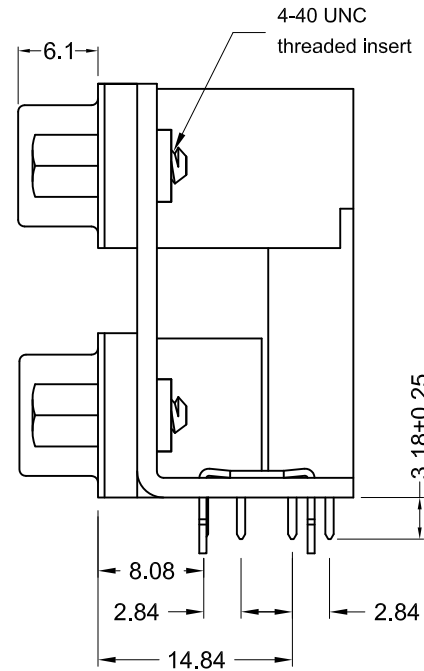
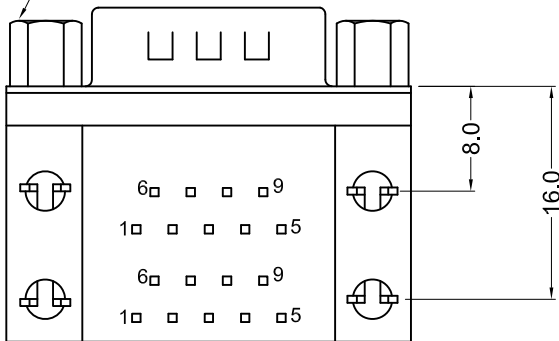


(4) #4-40 UNC jackscrews installed
(Kycon P/N JS-1000)



Recommended PC Board Layout
(Top Front View)

Material and Finish

Shell: Steel, nickel plated

Insulator:

PBT Thermoplastic
UL 94V-0 rated
color: black

Contact Material-

Plug- Brass

Contact Plating Options:

Standard: gold flash on contact area, tin on soldertails with entire contact nickel underplated

15 Option: 15u" gold on contact area, tin on soldertails with entire contact nickel underplated

30 Option: 30u" gold on contact area, tin on soldertails with entire contact nickel underplated

Electrical Specifications

Rated Current: 1.2A

Rated Voltage: 30V RMS

Insulation Resistance:
more than 1000 megohms at 500V DC

Contact Resistance:
13 milliohms max.

Dielectric Withstanding Voltage:
1000V for 1 minute

Operating Temperature:
-55°C to +105°C

Part Number	Contact Area Plating Finish
K42X-E9P/P-A4NJ	Gold Flash (standard)
K42X-E9P/P-A4NJ15	15u" Gold (15 option)
K42X-E9P/P-A4NJ30	30u" Gold (30 option)

Tolerances

X.X ± 0.25
X.XX ± 0.15
Unless Stated
Otherwise



REV.	DATE	DESCRIPTION	REV. BY	CHK. BY	DRAWN BY	DATE
A1	12/20/05	New Drawing	R. Aguirre	H. MA	R. Aguirre	12/20/05
A2	6/14/07	ECO #07-018	A. Frederick	H. MA		
A3	03/14/08	ECO #07-049	S. Vien	H. MA		
A4	12/31/17	ECO #17-037	J. Elbanna	C. Furumasu		
A5	03/26/19	ECO #19-020	H. MA	D. Shehan		

K42X-E9P/P-A4NJ

9 Male / 9 Male D-Sub, 0.750" Spacing

4 Gnd. Brackets w/ jackscrews, RoHS Compliant

