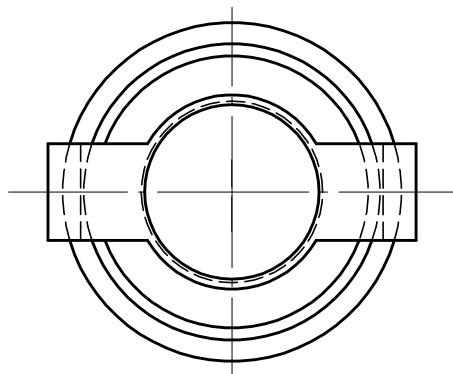
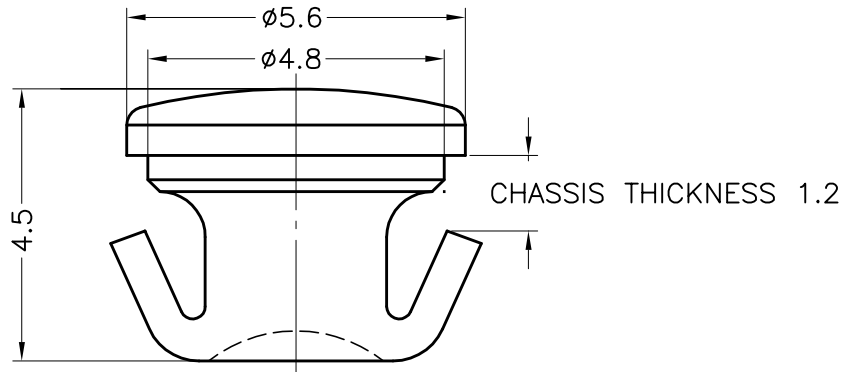


成型尺寸	公差
5mm 以下	±0.2
5~20mm	±0.3
20~40mm	±0.4
40~60mm	±0.5
60~100mm	±0.8
100mm 以上	±1.0

REVISIONS			
REV	DESCRIPTION	DATE	BY



MOUNTING HOLE  $\phi 5$

QMFZ2 Component - Plastics

Tuesday, June 08, 2004

E5007:

**TEIJIN CHEMICALS LTD**

HIBIYA DAIBIRU BLDG 2-2 UCHISAIWAI-CHO 1-CHOME CHIYODA-KU TOKYO 100-0011 JAPAN

Material Designation: **L-1225(#)(I2)**

Product Description: Polycarbonate (PC), designated "Panlite" furnished as pellets, powder.

Color	Min. Thick. (mm)	Flame Class	HWI	HAI	RTI Elec	RTI Imp	RTI Str	IEC GWIT	IEC GWI
ALL	0.4	V-2	4	3	80	80	80	-	-
	0.75	V-2	3	1	80	80	80	-	-
	1.5	V-2	3	1	125	115	125	-	-
	1.9	HB	3	1	125	115	125	-	-
	3	HB	2	1	125	115	125	-	-
	6	HB	1	1	125	115	125	-	-

CTI: 2 HVTR: 4 D495: 5

Dielectric Strength (kV/mm): 30

ISO Tensile Strength (MPa): -

ISO Tensile Impact (kJ/m<sup>2</sup>): -

(#)

(I2)

Volume Resistivity (10<sup>11</sup>ohm-cm): 16

ISO Flexural Strength (MPa): -

ISO Izod Impact (kJ/m<sup>2</sup>): -

Dimensional Stability (%): 0

ISO Heat Deflection (C): -

ISO Charpy Impact (kJ/m<sup>2</sup>): -

Material designation may be suffixed with any one or two letters.

Subjected to one or more of the following tests: Ultraviolet Light, Water Exposure or Immersion accordance with UL 746C, where the acceptability for outdoor use is to be determined by UL In



康揚企業股份有限公司

KANG YANG HARDWARE ENTERPRISE CO., LTD.

康揚塑膠(東莞)有限公司

KANG YANG PLASTIC(DONG GUAN) CO., LTD.

康哲電腦配件(吳江)有限公司

KANG CHE COMPUTER COMPONENTS(WUJIANG) CO., LTD.

TITLE	LED導光柱	產品規格圖面
MATERIAL	PC UL94V-2	DATE 2006.09.11
FINISH		DRAWN JOHNNY
COLOR	NATURAL	CHECK
UNLESS OTHERWISE SPECIFIED TOLERANCE	SEE ABOVE	APPROVED

PART NUMBER	LEM-7S	DRAWING NUMBER	LEM-7S
SIZE	A4	SCALE	8:1
UNIT	mm	REV	B