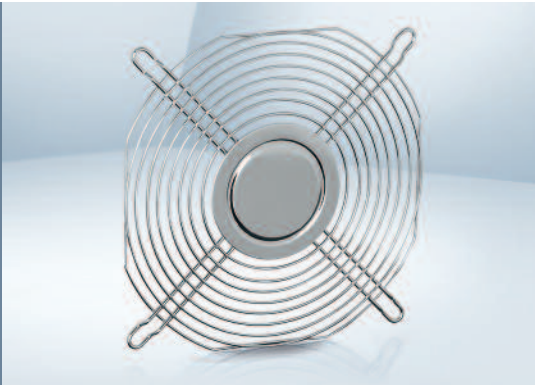


Finger guards



- **Material:** Galvanized or nickel-plated steel wire
 - **Note:** Finger guard according to DIN EN ISO 13857 (previously EN 294). Additional finger guards that do not satisfy DIN EN ISO 13857 available on request.
- Our finger guards are designed specifically to be used with ebm-papst fans. They combine the highest degree of safety with minimum effect on the operating noise. Please note that the safety-related clearances cannot be guaranteed when finger guards made by other manufacturers are used.

Fan series	Part no.
400	LZ29-1
420 J	LZ29-1
500	LZ31
600	LZ28-1
3000	LZ23-1
8000	LZ32-4 / LZ22-2
9000	LZ30-4 / LZ 30 / LZ 30-3
4000	LZ30-4 / LZ 30 / LZ 30-3

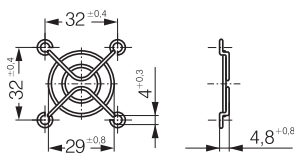
Fan series	Part no.
5100	LZ25
5600	LZ25
5200	LZ35
5300	LZ53
5900	LZ35
7000	LZ36
6300	LZ37
6400	LZ38

Fan series	Part no.	Side
2200 F	LZ22	
DV 4100	LZ30-4	Intake/outlet
DV 5200	LZ35	Intake/outlet
DV 6300 TD	LZ37	Intake side
DV 6300 TD	LZ52	Outlet side
DV 6400	LZ38	Intake side
DV 6400	LZ39	Outlet side

Subject to change

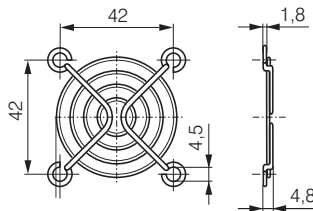
LZ29-1

Fan size 40 x 40



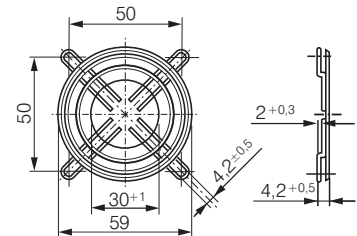
LZ31

Fan size 50 x 50



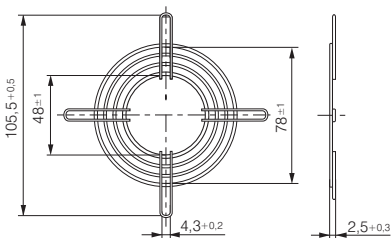
LZ28-1

Fan size 60 x 60



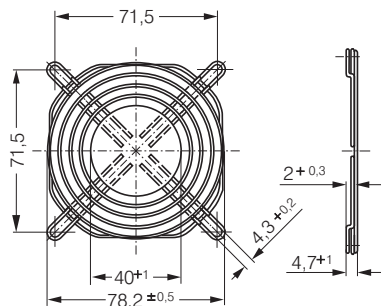
LZ22-2

Fan size 80 x 80



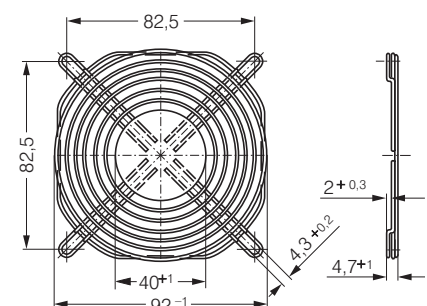
LZ32-4

Fan size 80 x 80

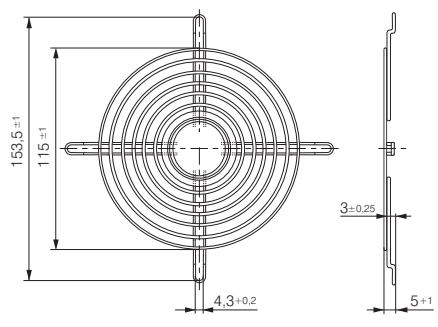


LZ23-1

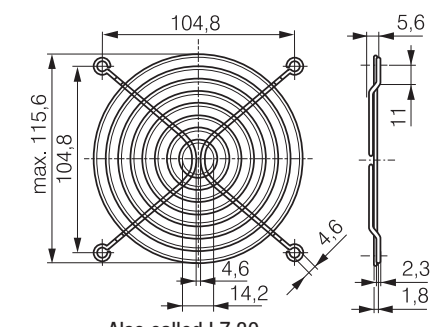
Fan size 92 x 92



LZ30 Fan size 119 x 119

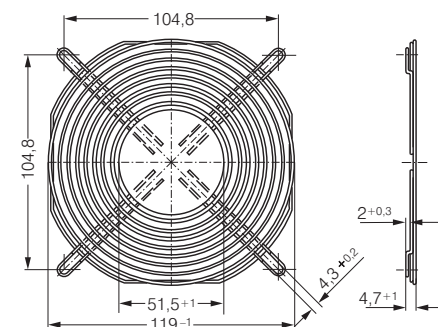


LZ30-3 Fan size 119 x 119

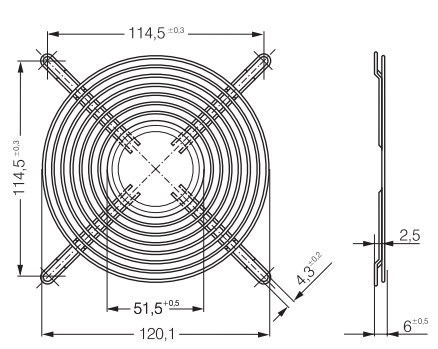


Also called LZ 30 for North America only.

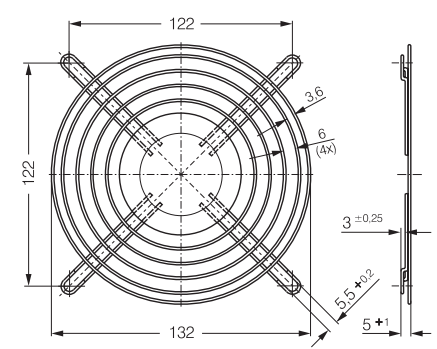
LZ30-4 Fan size 119 x 119



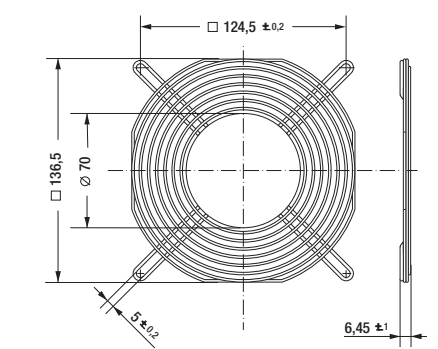
LZ35 Fan size 127 x 127



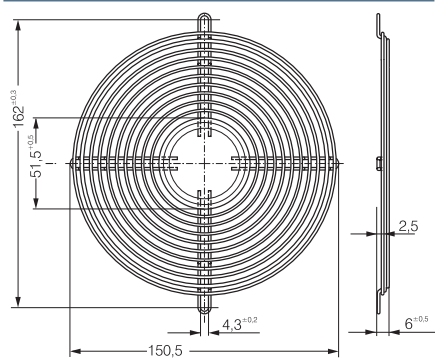
LZ25 Fan size 135 x 135



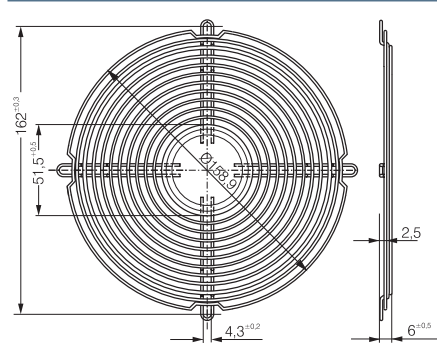
LZ53 Fan size 140 x 140



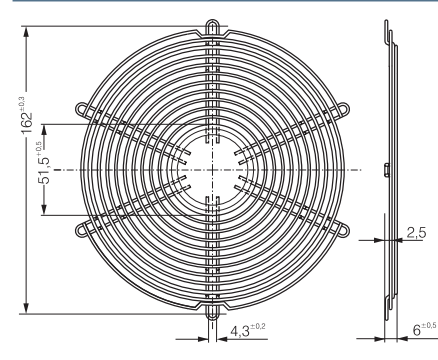
LZ36 Fan size 150 x 172



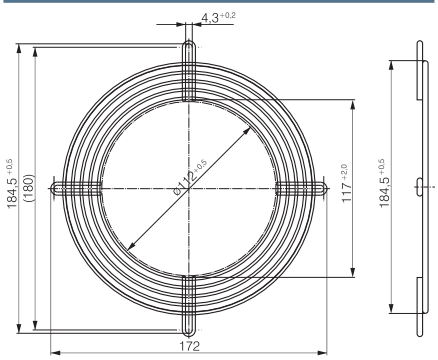
LZ37 Fan size 172 x 51



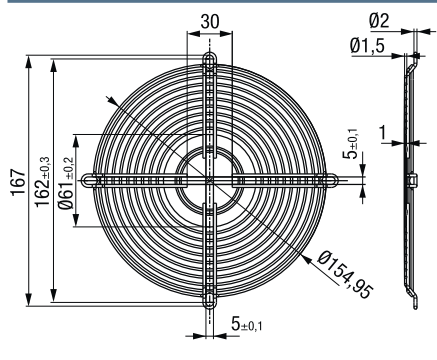
LZ38 Fan size 172 x 51



LZ39 Fan size 172 x 51



LZ52 Fan size 172 x 51



LZ22 Fan size 200 x 51

