

Customer Information Sheet

DRAWING No.: M80-713XXXX

SHEET 2 OF 2

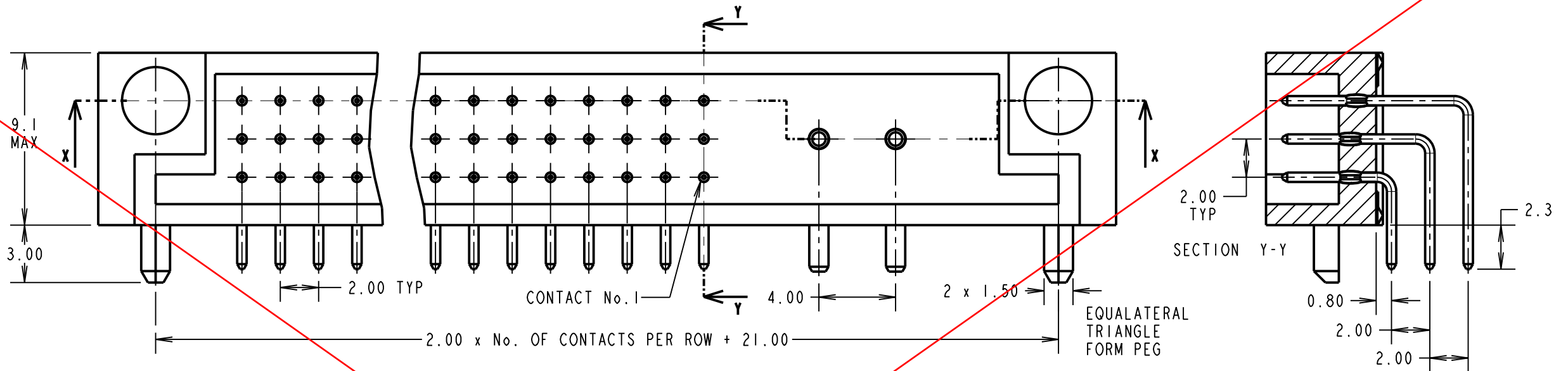
IF IN DOUBT - ASK

©

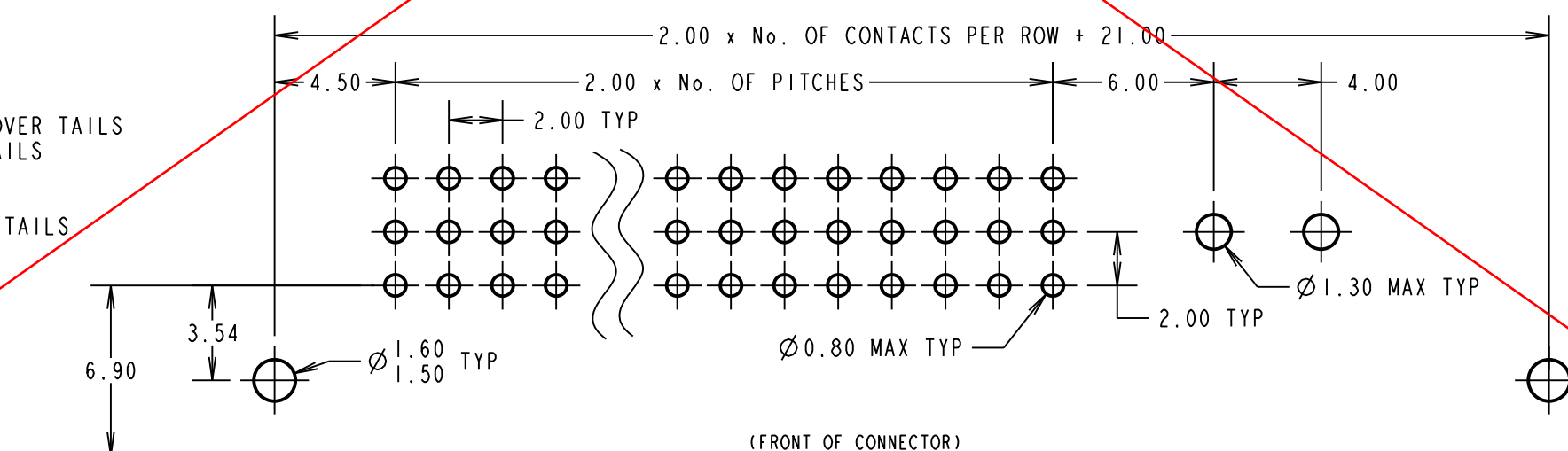
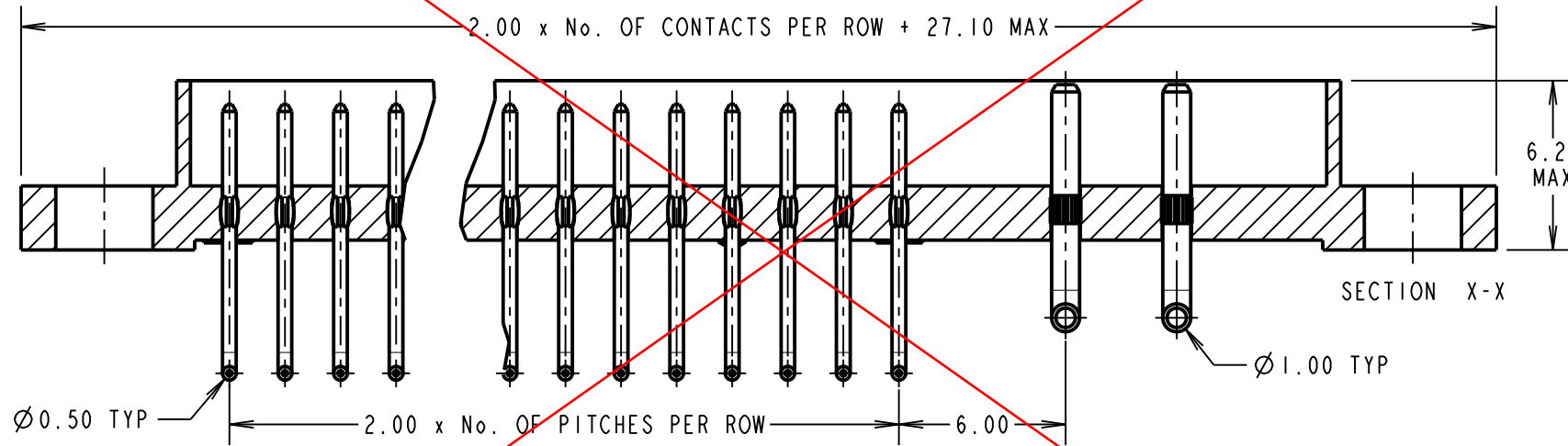
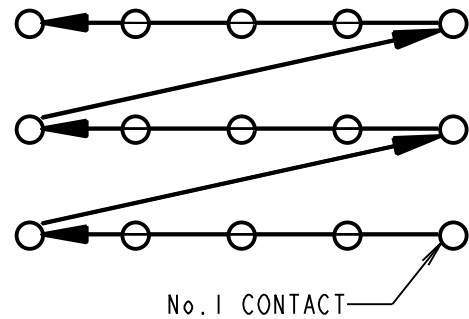
NOT TO SCALE

THIRD ANGLE PROJECTION

ALL DIMENSIONS IN mm



NOTES:
1. FROM No. 1 POSITION, CONTACTS NUMBERED IN SEQUENCE FROM RIGHT TO LEFT, BOTTOM ROW TO TOP ROW (LOOKING ON MATING FACE)



OBSOLETE

SPECIFICATION

MATERIALS:
MOULDING - POLYIMIDE 46 UL94V-0
CONTACTS (POWER) - BRASS
CONTACTS (SIGNAL) - PHOSPHOR BRONZE

FINISH:
POWER CONTACTS -
05 - 0.25 - 0.3µ GOLD
22 - 0.75µ GOLD, 90/10 TIN/LEAD SOLDER OVER TAILS
42 - 0.75µ GOLD, 100% TIN SOLDER OVER TAILS
SIGNAL CONTACTS -
05 - 0.25 - 0.3µ GOLD
22 - 0.75µ GOLD, 3.0µ 90/10 TIN/LEAD ON TAILS
42 - 0.75µ GOLD, 3.0µ 100% TIN ON TAILS

ELECTRICAL:
CURRENT RATING AT 25°C - 3.0A MAX.
CURRENT RATING AT 85°C - 2.2A MAX.
VOLTAGE PROOF - 360V AC/DC
CONTACT RESISTANCE:
INITIAL - 20mΩ MAX.
AFTER CONDITIONING - 25mΩ MAX.
INSULATION RESISTANCE:
INITIAL - 1000MΩ MIN.
AFTER CONDITIONING - 100MΩ MIN.

MECHANICAL:
DURABILITY - 500 OPERATIONS
ENVIRONMENTAL:
TEMPERATURE RANGE - -55°C TO +125°C
PACKING: TRAY
FOR COMPLETE SPECIFICATION SEE COMPONENT SPECIFICATION C017XX (LATEST ISSUE)

ORDER CODE:
M80-713XXXX

TOTAL No. OF CONTACTS (EXCLUDING POWER CONTACTS)
06, 15, 24, 30, 42

FINISH:
05 - GOLD
22 - SELECTIVE GOLD, TIN//LEAD
42 - SELECTIVE GOLD, 100% TIN

SM	10	05.12.11	11576
NAME	ISS.	DATE	C/NOTE
APPROVED: S. MCCULLAGH			
CHECKED: M. G. PLESTED			
DRAWN: S.FLOWER			
CUSTOMER REF.:			
ASSEMBLY DRG:			

 www.harwin.com technical@harwin.com	THIS DRAWING AND ANY INFORMATION OR DESCRIPTIVE MATTER SET OUT HEREON ARE CONFIDENTIAL AND COPYRIGHT PROPERTY OF THE HARWIN GROUP AND MUST NOT BE DISCLOSED, LOANED, COPIED OR USED FOR MANUFACTURING, TENDERING OR FOR ANY OTHER PURPOSE WITHOUT THEIR WRITTEN PERMISSION.	TOLERANCES X. = ±1mm X.X = ±0.25mm X.XX = ±0.10mm X.XXX = ±0.01mm ANGLES = ±5° UNLESS STATED	MATERIAL: SEE ABOVE	TITLE: DATAMATE MIX-TEK 3-ROW MALE HORIZONTAL PC TAIL ASSY (WITH POWER CONTACTS)
		FINISH: SEE ABOVE	S/AREA: mm ²	DRAWING NUMBER: M80-713XXXX