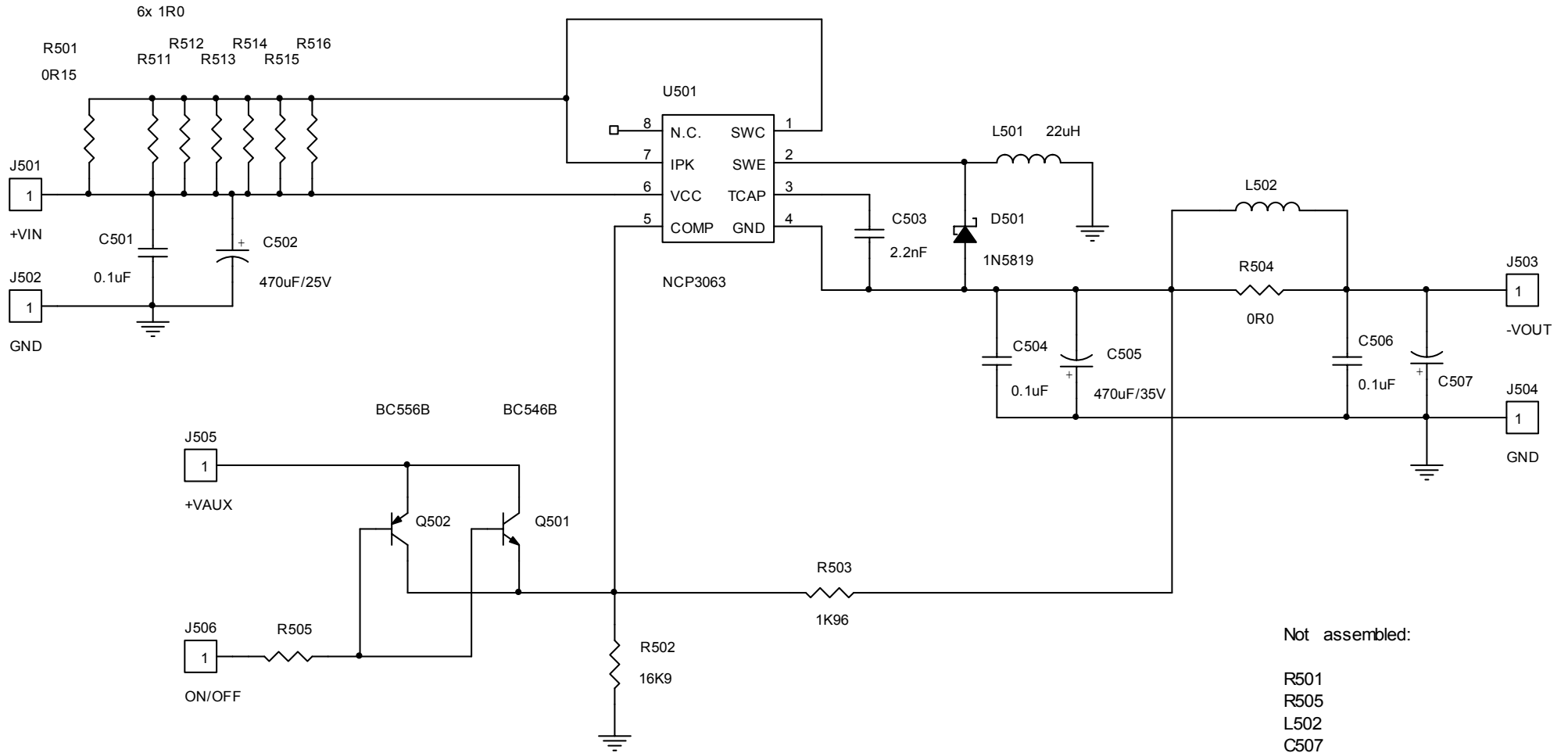




Schematic for the NCP3063 (PDIP-8) Voltage Inverting Evaluation Board

8/3/2006



Not assembled:

- R501
- R505
- L502
- C507
- Q501, Q502