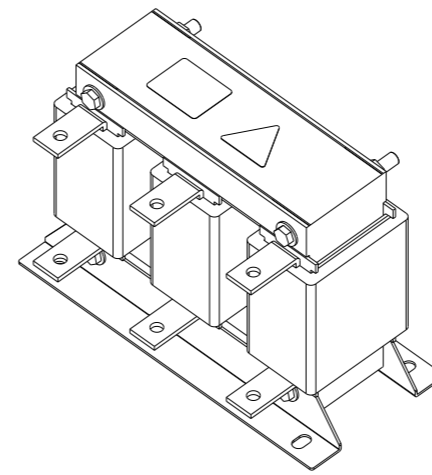
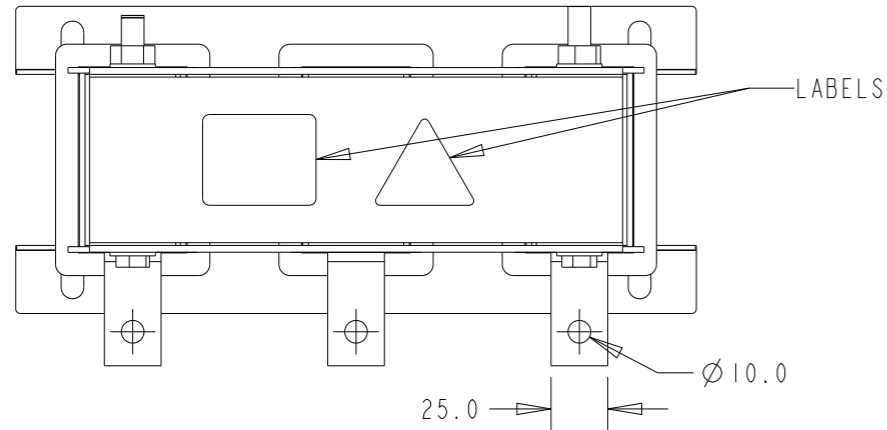
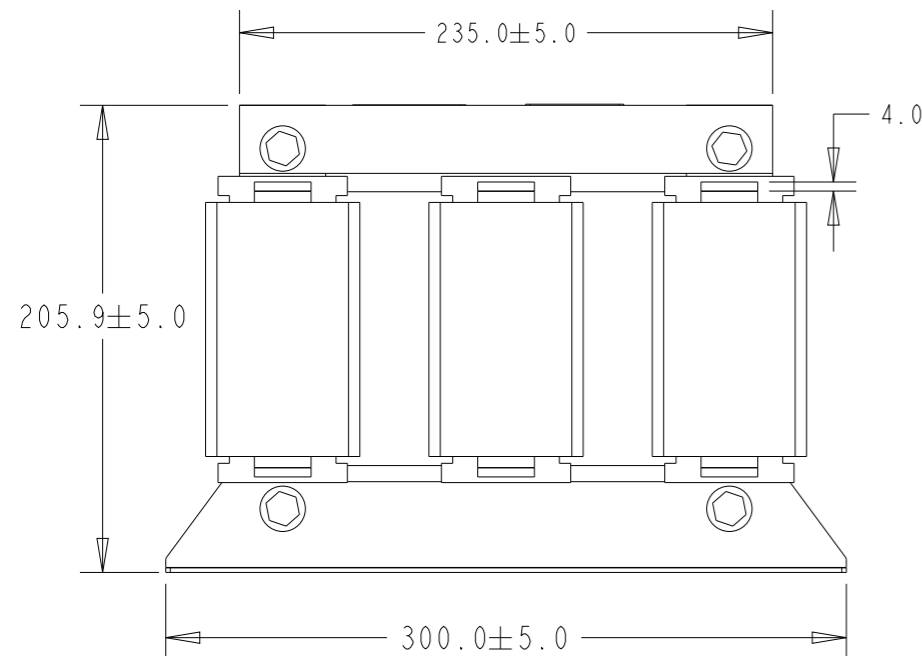
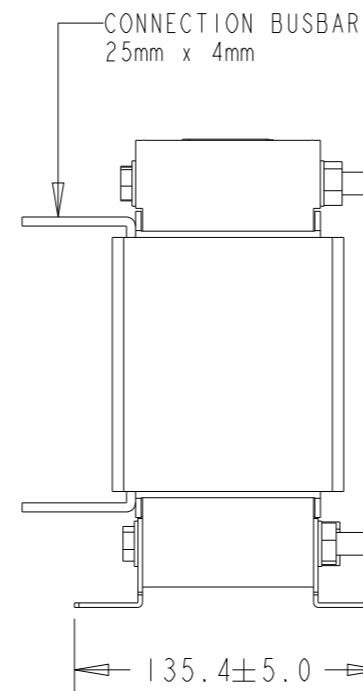


P	LTR	DESCRIPTION	DATE	DWN	APVD
	A	RELEASED FOR PRODUCTION	10FEB2023	DM	CB
	A1	ADDING PRODUCT DATA	07MAR2023	DM	CB



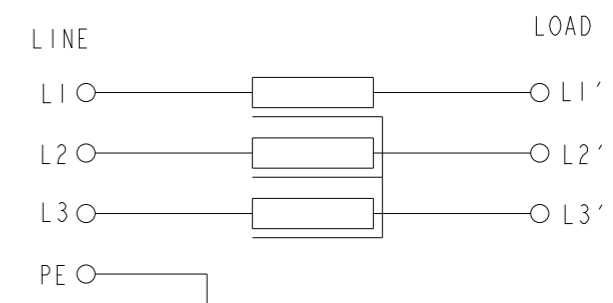
NOMINAL OPERATING VOLTAGE (VAC)	3x 380 to 480
RATED OPERATING VOLTAGE (VAC)	3x 340 to 530
FREQUENCY (Hz)	50 / 60
RATED CURRENT (AMPS)	160.00
OP. TEMP. RANGE @ RATED CURRENT	-45°C to +45°C
RATED POWER @ 400VAC (kW)	99.77
RATED POWER @ 400VAC (HP)	133.73
IMPEDANCE @ 400VAC (%)	4
INDUCTANCE, NOMINAL (mH)	0.180
POWER OVERLOAD, 1 MINUTE EVERY HOUR	1.6
VOLTAGE WITHSTAND 1 MINUTE (kVAC)	2
POLLUTION DEGREE	PD2
COOLING	NATURAL
PROTECTION CLASS	IP00
INSULATION CLASS	N
STORAGE TEMPERATURE RANGE (°C)	-45°C to +100°C
CLIMATIC CATEGORY	45/100/21
DESIGN CORRESPONDING TO	EN61558-2-20, EN60076-6, UL61800-5-1



SAFETY ORGANIZATIONS

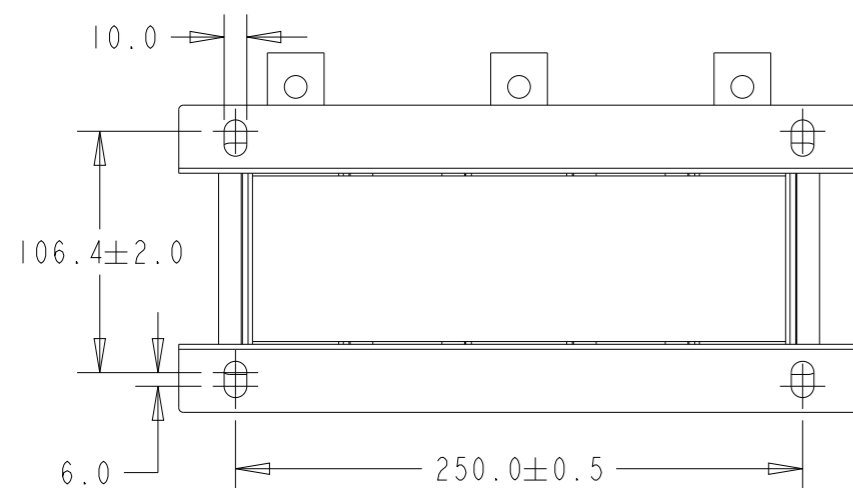
UL RECOGNIZED AS PER UL 508 HARDWARE CERTIFICATION

TYPICAL CIRCUIT DIAGRAM



DE-RATING FORMULAE FOR OPERATION ABOVE 45°C AMBIENT CONDITIONS:

$$I = I_n \sqrt{\frac{100 - T_a \text{ new}}{100 - 45}}$$



RoHS COMPLIANT

THIS DRAWING IS A CONTROLLED DOCUMENT.		DWN C. BOLLE 07OCT2022	TE Connectivity	
		CHK C. BOLLE 07OCT2022		
		APVD L. RAJ 07OCT2022	NAME RPO-3-160 THREE LINE REACTOR	
DIMENSIONS: mm		PRODUCT SPEC -	SIZE A3	
TOLERANCES UNLESS OTHERWISE SPECIFIED:		APPLICATION SPEC -	CAGE CODE 00779	
0 PLC ±-		WEIGHT -	DRAWING NO C-4-2432409-0	
1 PLC ±0.1		RESTRICTED TO -		
2 PLC ±0.01		SCALE 1:4		
3 PLC ±0.001		SHEET 1 OF 1		
4 PLC ±0.0001		REV A1		
ANGLES ±-		CUSTOMER DRAWING		
FINISH -				