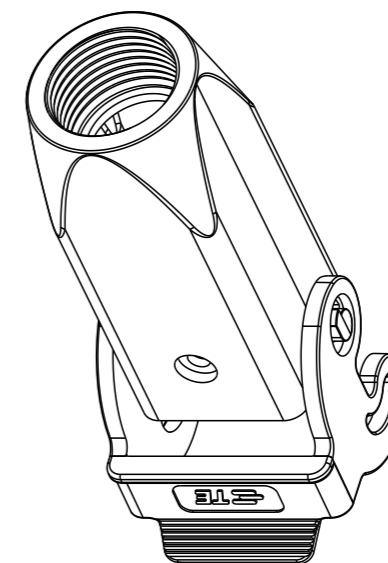
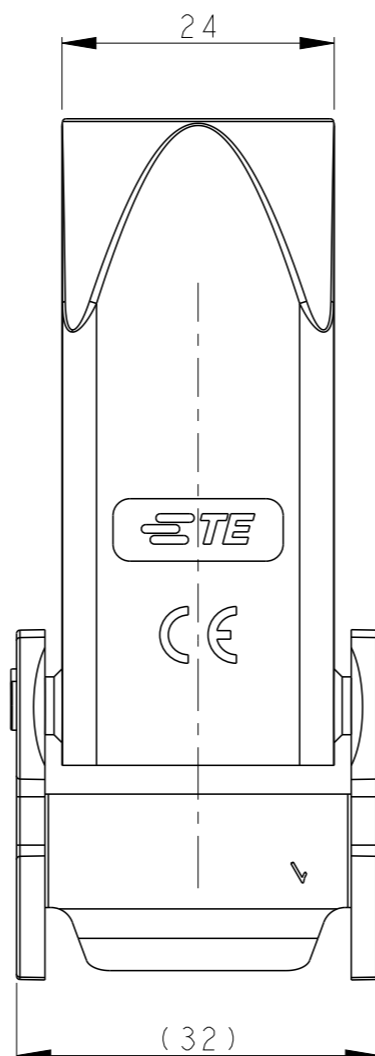
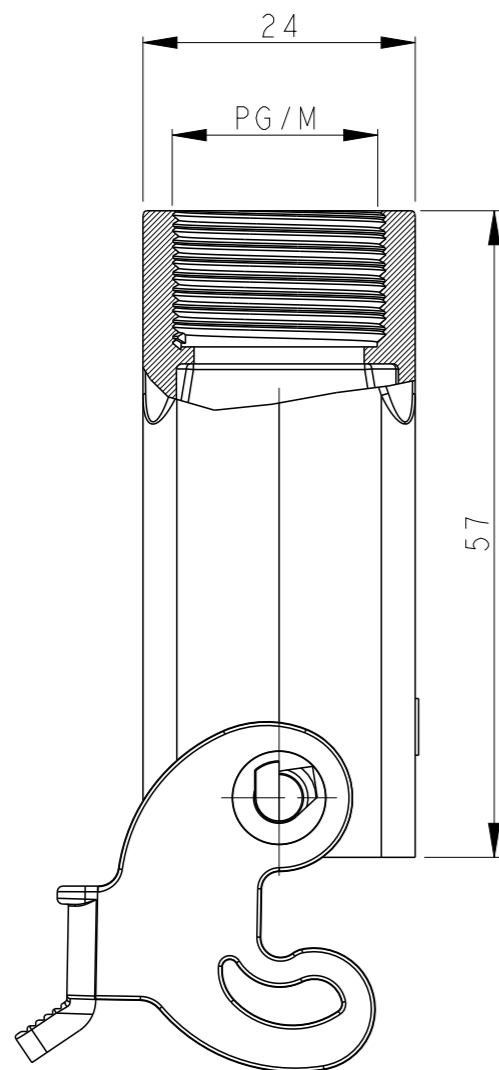


REVISIONS

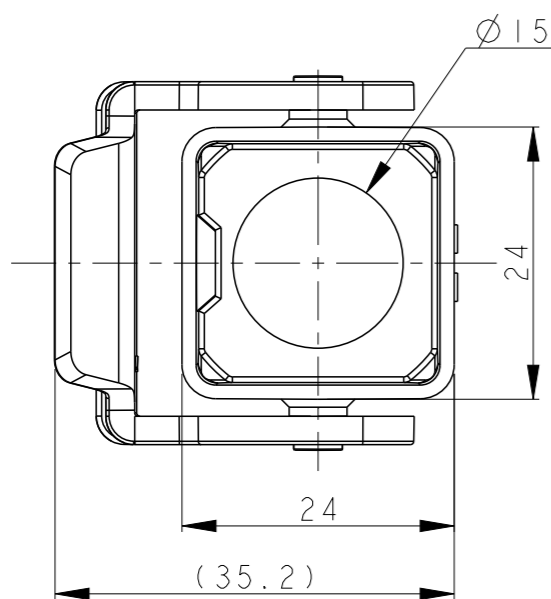
P	LTR	DESCRIPTION	DATE	DWN	APVD
A		INITIAL RELEASE	29APR2015	DL	CW
B		ECR-18-017120	27MAR2019	BS	CW
C		ECR-20-008412	26NOV2020	BS	CW
CI		ECR-22-142297	09JUN2022	AC	CW




SCALE 1:1

NOTES:
 1. TECHNICAL CHARACTERISTICS:
 BODY MATERIAL: PC
 DEGREE OF PROTECTION: IP65 (MATED)

注释:
 1. 技术参数:
 主体材料: PC
 防护等级: IP65(配合)



T1739032111-000	H3A-TGVB-PG11	H3APLASTIC HOUSING, CABLE-TO-CABLE, PLASTIC SINGLE LOCKING, PG11, GREY H3A塑料下壳, 电缆对接, 塑料单扣, PG11, 灰色	PG11
T1739032120-000	H3A-TGVB-M20	H3APLASTIC HOUSING, CABLE-TO-CABLE, PLASTIC SINGLE LOCKING, M20, GREY H3A塑料下壳, 电缆对接, 塑料单扣, M20, 灰色	M20
PART NUMBER 料号	PART DESCRIPTION 描述		PG/M

THIS DRAWING IS A CONTROLLED DOCUMENT.		DWN 29APR2015 DAVID LI	 TE Connectivity NAME H3A-TGVB-PG/M		
DIMENSIONS: mm		CHK 29APR2015 CHRIS WANG			PRODUCT SPEC 108-137134
TOLERANCES UNLESS OTHERWISE SPECIFIED:		APVD 29APR2015 XU XIANG			APPLICATION SPEC 114-137134
0 PLC ±- 1 PLC ±- 2 PLC ±- 3 PLC ±- 4 PLC ±- ANGLES ±-		MATERIAL -			WEIGHT -
FINISH -		CUSTOMER DRAWING		SIZE A3 CAGE CODE - DRAWING NO. ©-T17390321XX000 RESTRICTED TO - SCALE 3:2 SHEET 1 OF 1 REV CI	