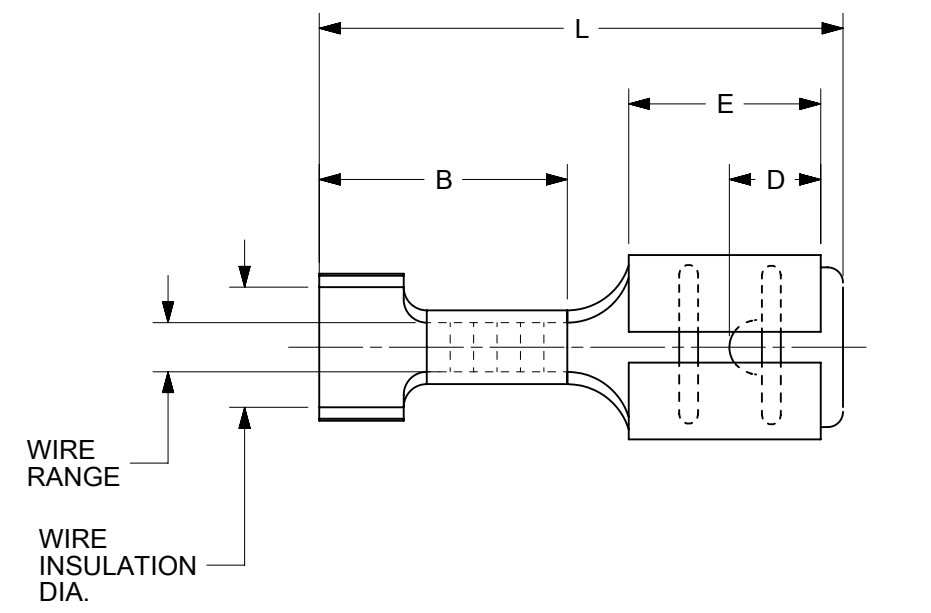
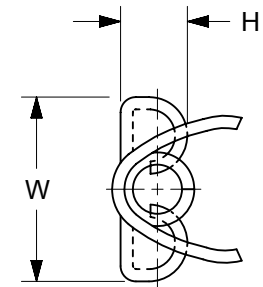
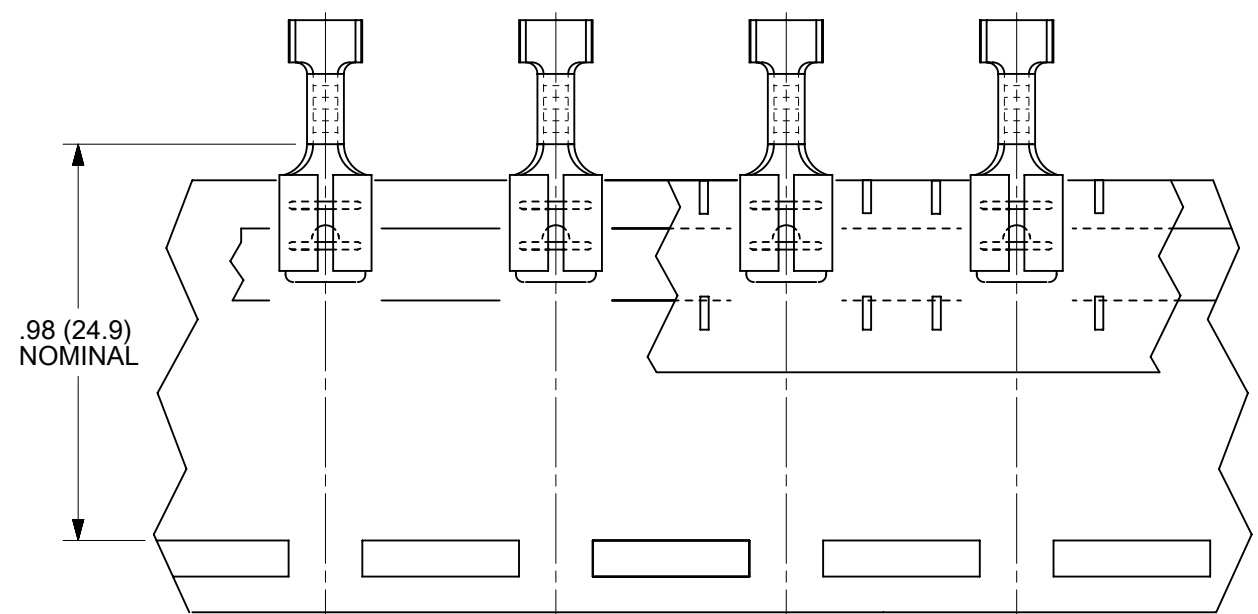


10	9	8	7	6	5	4	3	2	1				
MATERIAL NO. LOOSE PIECE	ENGINEERING P/N LOOSE PIECE	MATERIAL NO. TAPE MOUNTED	ENGINEERING P/N TAPE MOUNTED	WIRE RANGE AWG	FITS TAB SIZE	STOCK THICK.	L ±.032 (0.81)	B ±.016 (0.41)	W ±.016 (0.41)	D ±.01 (0.3)	H ±.016 (0.41)	E ±.016 (0.41)	WIRE INSULATION DIAMETER REF.
190180005	AA-4176	190180006	AA-4176T	22 - 18	.250 X .032 (6.35 X 0.81)	.016 (0.41)	.802 (20.37)	.328 (8.33)	.301 (7.64)	.156 (3.96)	.109 (2.76)	.310 (7.87)	.060 - .125 (1.52 - 3.18)
190180014	BB-4177	190180015	BB-4177T	16 - 14	.250 X .032 (6.35 X 0.81)	.016 (0.41)	.802 (20.37)	.328 (8.33)	.301 (7.64)	.156 (3.96)	.109 (2.76)	.310 (7.87)	.085 - .145 (2.16 - 3.68)
190180024	P-4178	190180025	P-4178T	14 - 12	.250 X .032 (6.35 X 0.81)	.016 (0.41)	.802 (20.37)	.328 (8.33)	.301 (7.64)	.156 (3.96)	.109 (2.76)	.310 (7.87)	.100 - .175 (2.54 - 4.45)



"VIBRAKRIMP"
CLOSED ELECTRICAL BARREL W/OPEN VIBRATION SUPPORT
LOOSE PIECE QUICK DISCONNECTS



TAPE-MOUNTED PARTS

ORIGINAL DWG WAS CD-51002

NOTES:

1. MATERIAL: BRASS
2. PLATING: TIN
3. STYLE OF PART IS "VIBRAKRIMP" WITH CLOSED ELECTRICAL BARREL AND OPEN VIBRATION SUPPORT.
4. PART IS RoHS COMPLIANT.

FUNCTIONAL SYMBOLS												THIS DRAWING CONTAINS INFORMATION THAT IS PROPRIETARY TO MOLEX ELECTRONIC TECHNOLOGIES, LLC AND SHOULD NOT BE USED WITHOUT WRITTEN PERMISSION											
DIMENSION UNITS				SCALE				CURRENT REV DESC: REMASTERED IN NX															
IN/MM				NTS																			
GENERAL TOLERANCES (UNLESS SPECIFIED)												EC NO: 669288 DRWN: VIJAYS4 2021/07/06 CHK'D: DMYRICK 2021/07/09 APPR: JMACNEIL 2021/07/13											
4 PLACES		±		MM		±		INCH		±													
3 PLACES		±		MM		±		INCH		±													
2 PLACES		±		MM		±		INCH		±													
1 PLACE		±		MM		±		INCH		±													
0 PLACES		±		MM		±		INCH		±													
ANGULAR TOL				± °				INITIAL REVISION:															
								DRWN: VIJAYS4 2021/07/06															
								APPR: JMACNEIL 2021/07/13															
DRAFT WHERE APPLICABLE MUST REMAIN WITHIN DIMENSIONS				THIRD ANGLE PROJECTION				DRAWING				SERIES											
								B-SIZE				19018											
DOCUMENT STATUS				P1				RELEASE DATE				2021/07/13 14:08:13											
DOCUMENT NUMBER				190180005				CUSTOMER				GENERAL MKRET											
DOC TYPE				PSD				DOC PART				000											
REVISION				B				SHEET NUMBER				1 OF 1											