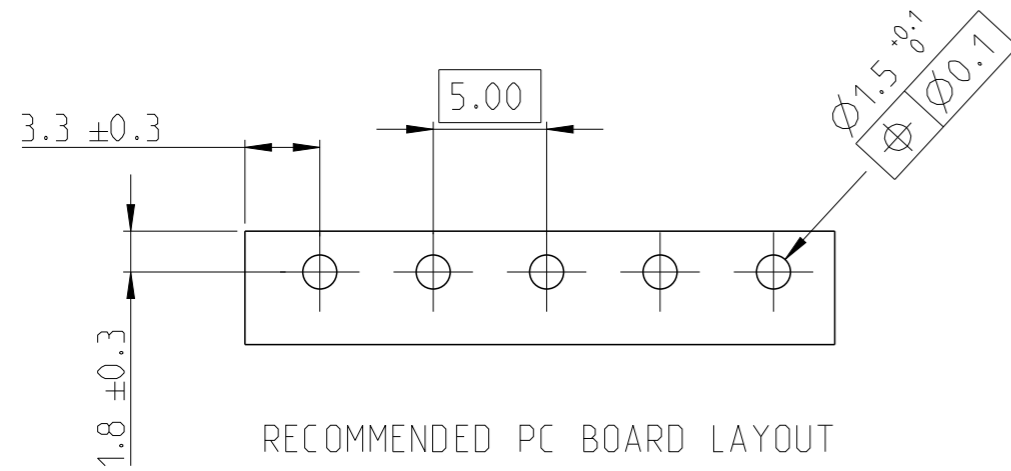
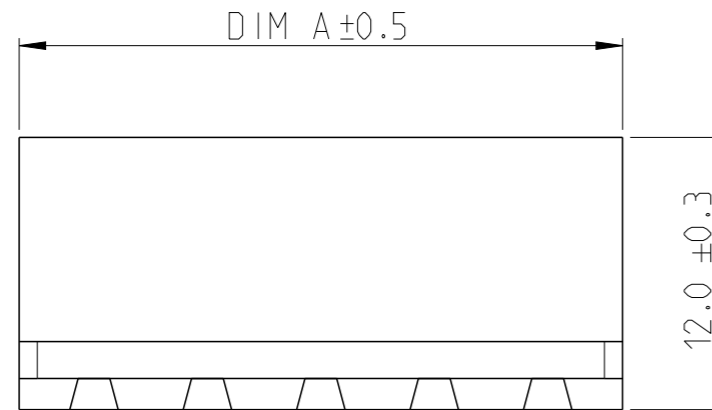
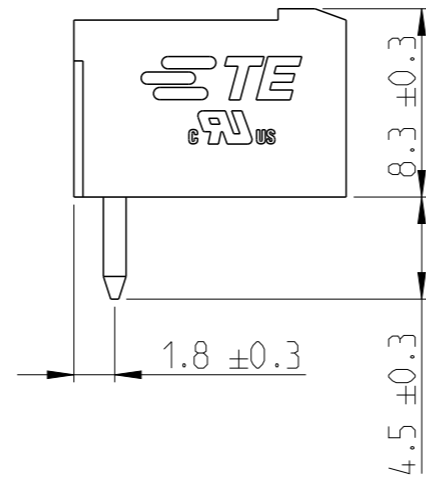
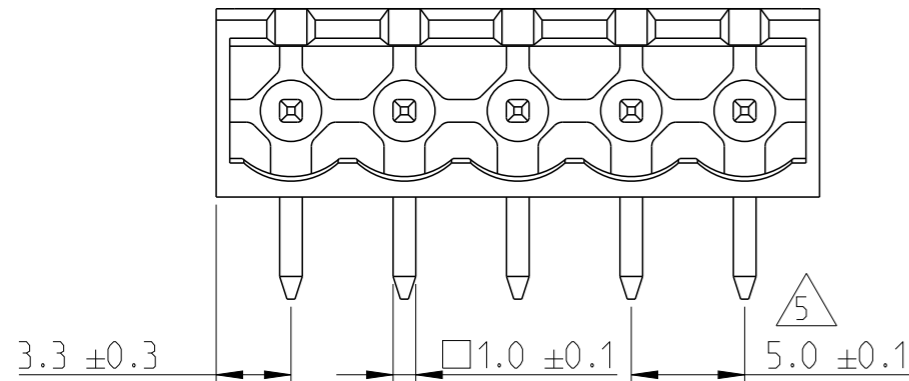
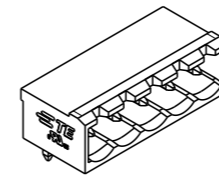


P	LTR	DESCRIPTION	DATE	DWN	APVD
	A	RELEASED FOR PRODUCTION	06AUG2019	RK	PS

1:1



RECOMMENDED PC BOARD LAYOUT

NOTES:

- MATERIAL AND FINISH:  
HOUSING : POLYAMIDE 66, UL94V-0, COLOR GREEN.  
TERMINAL : COPPER ALLOY, TIN PLATED.
  - MECHANICAL  
MIN. PC BOARD HOLES DIAMETER : 1.5 mm
  - ELECTRICAL  
RATED VOLTAGE : 300 V  
RATED CURRENT : 16 A  
INSULATION RESISTANCE : >2000 M Ohm (500V DC)
  - OPERATING TEMPERATURE RANGE: -40°C TO +105°C
- 5 NOT CUMULATIVE TOLERANCE.

81.6	16	1-2350513-6
76.6	15	1-2350513-5
71.6	14	1-2350513-4
66.6	13	1-2350513-3
61.6	12	1-2350513-2
56.6	11	1-2350513-1
51.6	10	1-2350513-0
46.6	9	2350513-9
41.6	8	2350513-8
36.6	7	2350513-7
31.6	6	2350513-6
26.6	5	2350513-5
21.6	4	2350513-4
16.6	3	2350513-3
11.6	2	2350513-2
DIM A	NO. OF POS	PART NUMBER

THIS DRAWING IS A CONTROLLED DOCUMENT.		DWN 10APR2019 RAGHAVENDRA.K	TE Connectivity			
DIMENSIONS: mm		CHK 01JUL2019 KARTHIK.JK				
TOLERANCES UNLESS OTHERWISE SPECIFIED:		APVD 02JUL2019 PRASHANTH.S	NAME HEADER 90 DEG. 5.00MM PITCH TAIL LENGTH 4.5mm			
0 PLC ± 1 PLC ± 2 PLC ± 3 PLC ± 4 PLC ± ANGLES ±		PRODUCT SPEC -	APPLICATION SPEC -			
MATERIAL SEE NOTES		WEIGHT -	SIZE A3	CAGE CODE 00779	DRAWING NO C-2350513	RESTRICTED TO -
-		CUSTOMER DRAWING		SCALE 3:1	SHEET 1 OF 1	REV A