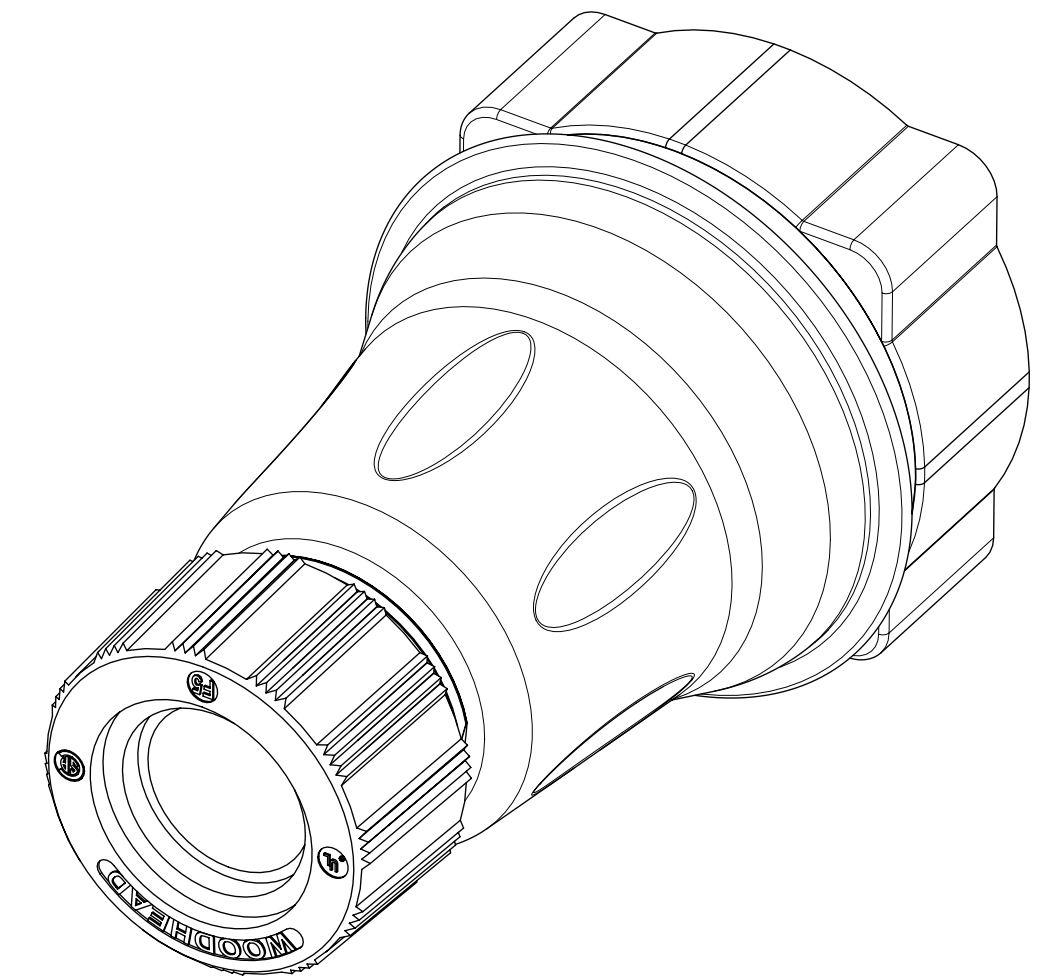
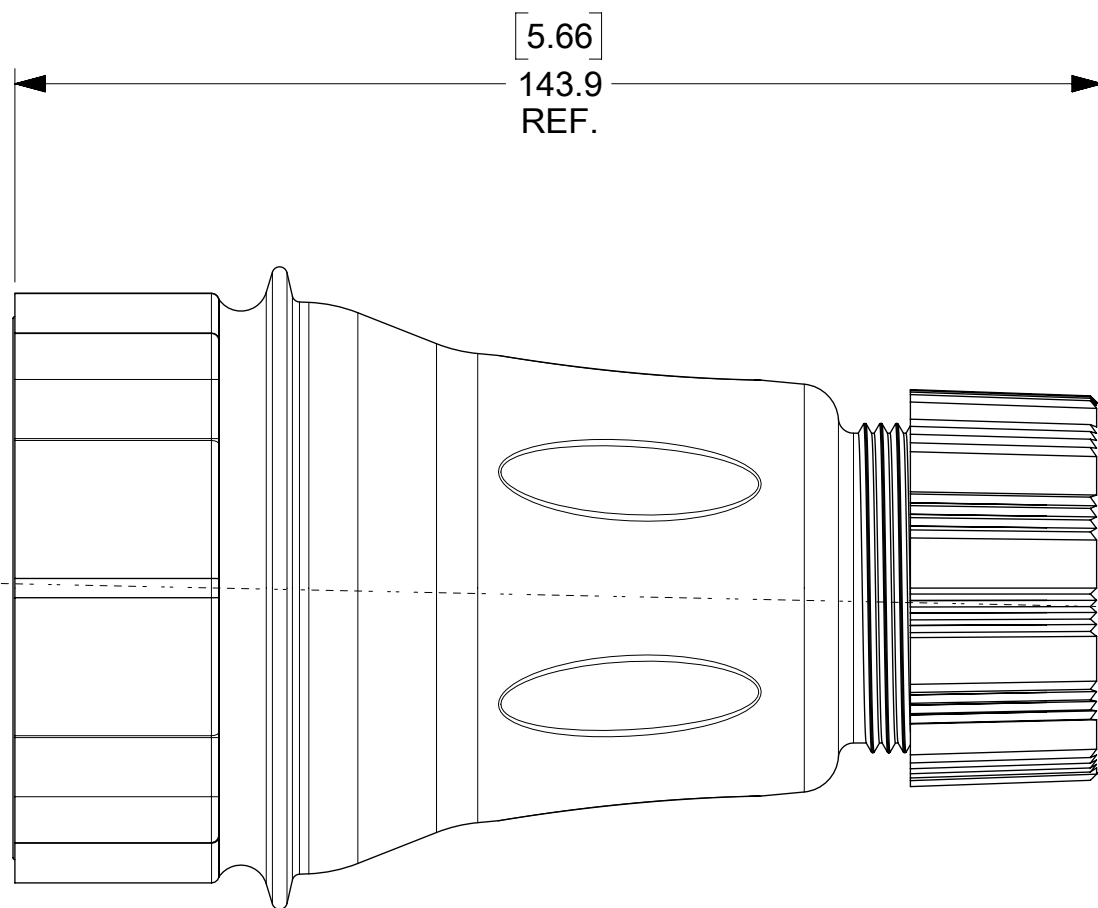
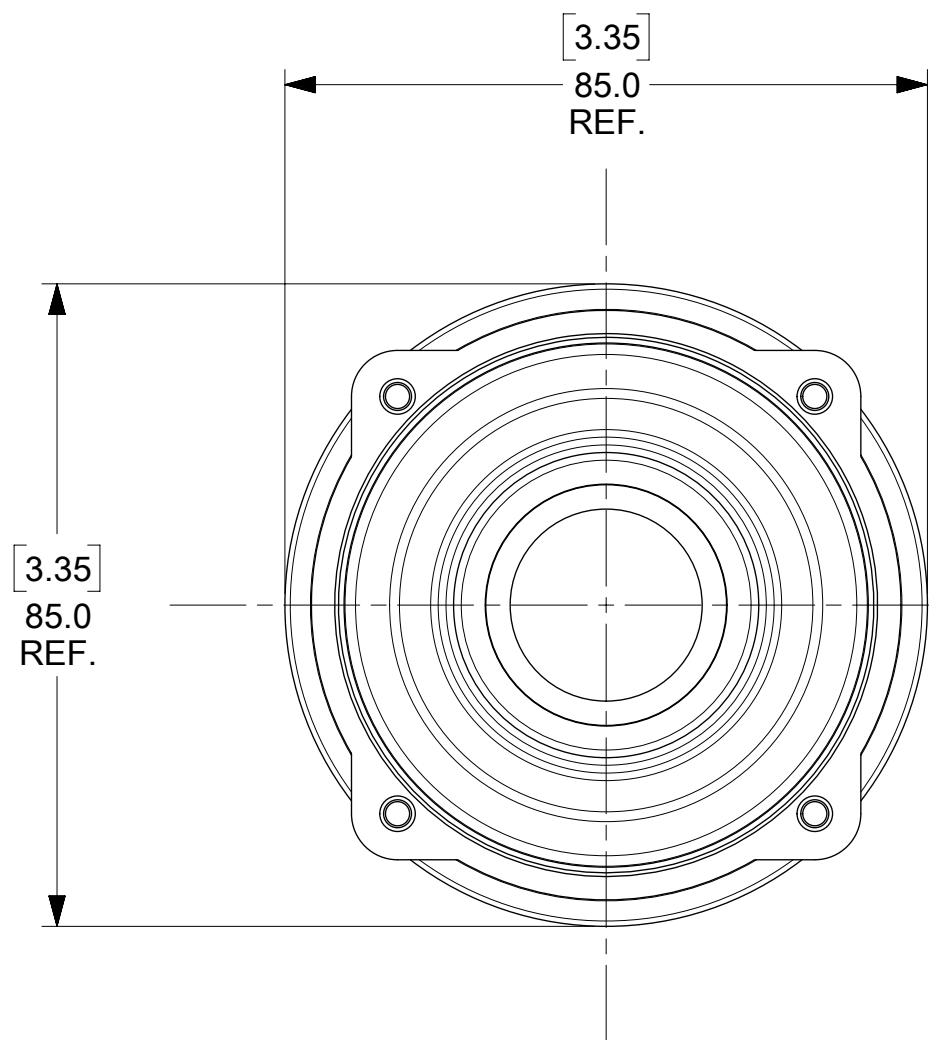
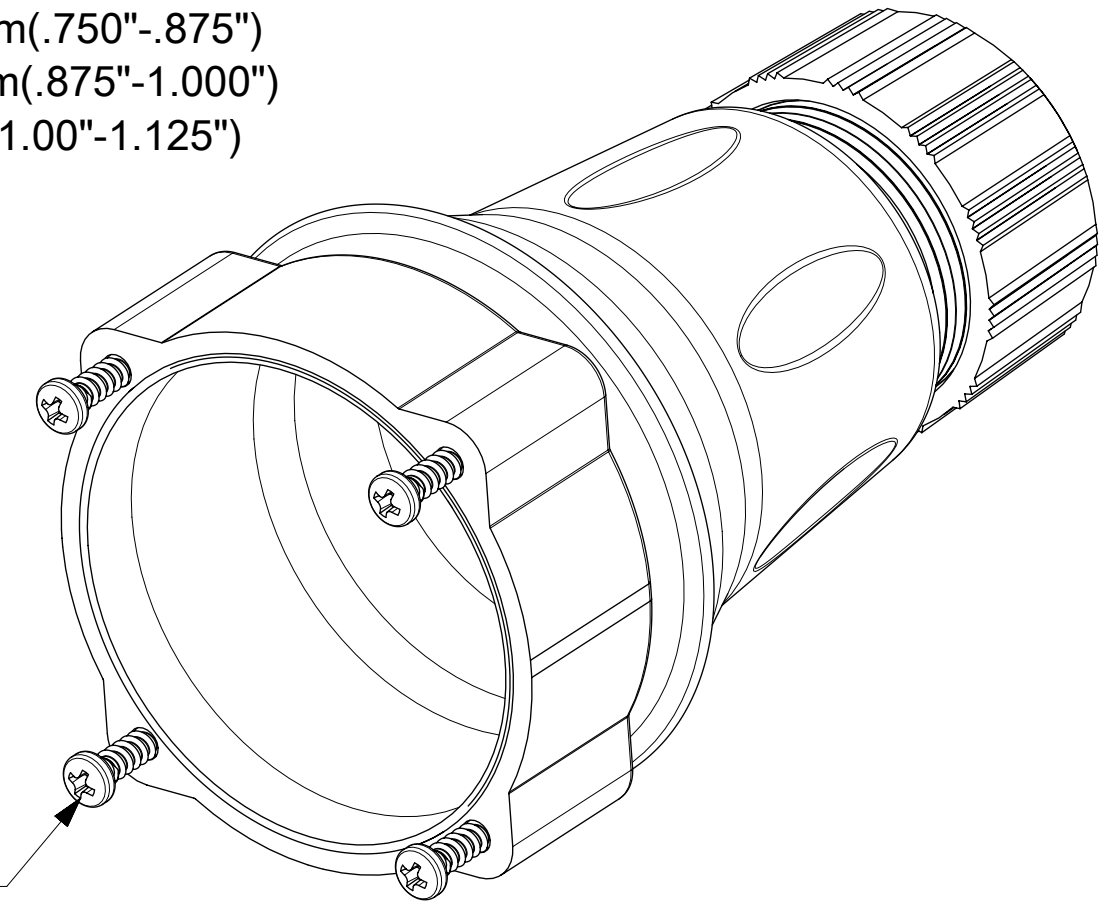


GROMMET
 1301800308, ORANGE, CABLE DIAMETER RANGE 19.05mm-22.25mm (.750"-.875")
 1301800309, YELLOW, CABLE DIAMETER RANGE 22.23mm-25.40mm (.875"-1.000")
 1301800310, BLACK, CABLE DIAMETER RANGE 25.40mm-28.57mm (1.00"-1.125")



NOTES:

1. MATERIAL:

- HANDLE - GREY PBT
- GROMMET - RUBBER
- FRICTION RING - NATURAL POLYETHYLENE
- COMPRESSION NUT - BLACK PBT
- SELF TAPPING SCREWS (TO ASSEMBLE TO DEVICE) - STAINLESS STEEL

2. AMBIENT OPERATING TEMPERATURE: -25°C (-13°F) TO 60°C (140°F)
 (WITH MAX. 30°C RISE ABOVE AMBIENT)

THIS DRAWING CONTAINS INFORMATION THAT IS PROPRIETARY TO MOLEX ELECTRONIC TECHNOLOGIES, LLC AND SHOULD NOT BE USED WITHOUT WRITTEN PERMISSION

DIMENSION UNITS		SCALE		CURRENT REV DESC: GENERAL MARKET RELEASE				molex									
MM/INCH		1:1															
GENERAL TOLERANCES (UNLESS SPECIFIED)						EC NO: 674097				60A ARC ARREST MAX-LOC HANDLE W/O DRAWPL							
		MM	INCH			DRWN: MJANTELEZIO		2021/08/17		PRODUCT CUSTOMER DRAWING							
4 PLACES		±	±			CHK'D: WLEUNG		2021/08/17									
3 PLACES		±	±			APPR: WLEUNG		2021/08/17									
2 PLACES		±	±			INITIAL REVISION:				DOCUMENT NUMBER							
1 PLACE		±	±			DRWN: VBASUTHKARP		2017/09/06		1122176000		DOC TYPE		DOC PART		REVISION	
0 PLACES		±	±			APPR: JFMURPHY		2020/11/17		PSD		000		A2			
ANGULAR TOL		±	°			THIRD ANGLE PROJECTION		DRAWING		SERIES		MATERIAL NUMBER		CUSTOMER		SHEET NUMBER	
DRAFT WHERE APPLICABLE MUST REMAIN WITHIN DIMENSIONS						C-SIZE		112217		1122176000		GENERAL MARKET		1 OF 1			

DOCUMENT STATUS	P1	RELEASE DATE	2021/08/17	21:15:13
-----------------	----	--------------	------------	----------