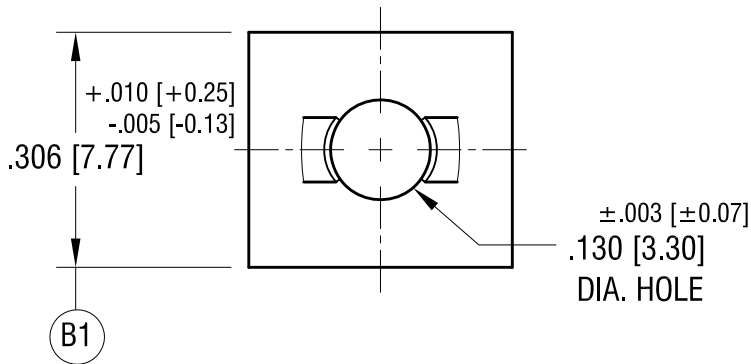
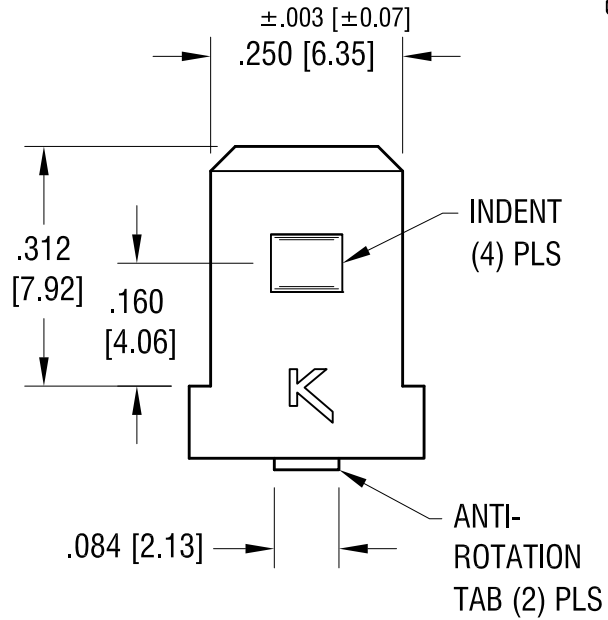
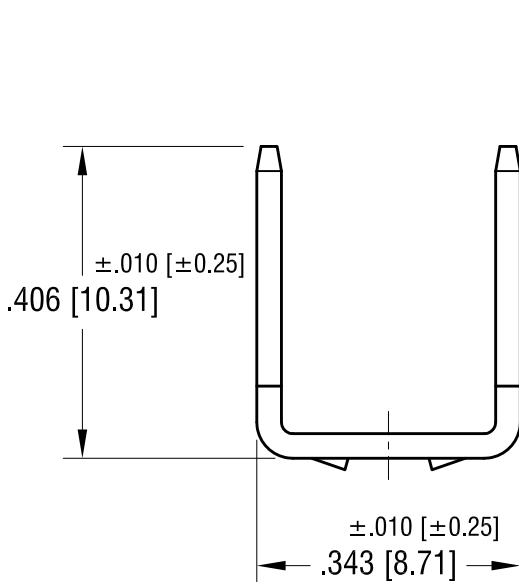
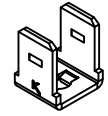


THIS DOCUMENT IS THE PROPERTY OF  
KEYSTONE ELECTRONICS CORP. AND  
SHALL NOT BE REPRODUCED, DISTRIBUTED  
OR USED AS A BASIS FOR MANUFACTURE  
WITHOUT PRIOR WRITTEN PERMISSION  
FROM KEYSTONE ELECTRONICS CORP.

ACTUAL SIZE



**KEYSTONE ELECTRONICS CORP.**

www.keyelco.com • NEW HYDE PARK, NY 11040 • Tel (516) 328-7500

PART NAME  
**.250 QUICK-FIT TERMINAL**

MATERIAL  
**.032 [0.81] TH'K BRASS**

FINISH <b>MATTE TIN</b>	DRN BY NT	DATE 7.30.10
	APP'D LN	SCALE 4X

TOLERANCES INCH [MM] DECIMAL ±.005 [±0.13] ANGULAR ± 1° UNLESS OTHERWISE SPECIFIED	CODE <b>C</b>	DWG NO. <b>1229</b>
---	------------------	------------------------

1.30.19	(B1) WAS .306±.005 CHANGE AS PER ECN 19-015	B
1.27.16	CHANGE AS PER ECN 16-015	A
DATE	DESCRIPTION	REV.