

## Bus system cable - SAC-5P-MS/ 3,0-920/FS SCO - 1410380


Please be informed that the data shown in this PDF Document is generated from our Online Catalog. Please find the complete data in the user's documentation. Our General Terms of Use for Downloads are valid (<http://phoenixcontact.com/download>)



Bus system cable, CANopen<sup>®</sup>, DeviceNet<sup>™</sup>, 5-position, PUR halogen-free, violet RAL 4001, shielded, Plug straight M12 SPEEDCON, A-coded, on Socket straight M12 SPEEDCON, A-coded, cable length: 3 m



### Key Commercial Data

Packing unit	1 pc
Minimum order quantity	50 pc
GTIN	 4 046356 896672
GTIN	4046356896672

### Technical data

#### Dimensions

Length of cable	3 m
-----------------	-----

#### Ambient conditions

Degree of protection	IP65/IP67
----------------------	-----------

#### General

Rated current at 40°C	4 A
Rated voltage	48 V AC
	60 V DC
Number of positions	5
Insulation resistance	≥ 100 MΩ
Coding	A - standard
Signal type/category	CANopen <sup>®</sup>
	DeviceNet <sup>™</sup>
Status display	No
Overvoltage category	II
Degree of pollution	3

## Bus system cable - SAC-5P-MS/ 3,0-920/FS SCO - 1410380

### Technical data

#### Material

Flammability rating according to UL 94	HB
Contact material	CuSn
Contact surface material	Ni/Au
Contact carrier material	TPU GF
Material of grip body	TPU, hardly inflammable, self-extinguishing
Material, knurls	Zinc die-cast, nickel-plated
Sealing material	NBR

#### Standards and Regulations

Flammability rating according to UL 94	HB
--	----

#### Cable

Cable type	CAN Bus/DeviceNet
Cable type (abbreviation)	920
UL AWM style	21198 (80°C/300 V)
Cable structure	2xAWG24/19+2xAWG22/19
Conductor cross section	2x 0.25 mm <sup>2</sup> (Data cable)
	2x 0.34 mm <sup>2</sup> (Power supply)
	1x 0.34 mm <sup>2</sup> (Drain wire)
AWG signal line	24
AWG power supply	22
Conductor structure signal line	19x 0.13 mm
Conductor structure, voltage supply	19x 0.15 mm
Core diameter including insulation	1.95 mm ±0.05 mm (Data cable)
	1.4 mm ±0.05 mm (Power supply)
Wire colors	Red-black, blue-white
Twisted pairs	2 cores to the pair
Type of pair shielding	Plastic-coated aluminum foil, aluminum side outside
Overall twist	2 pairs around a drain wire in the center to the core
Shielding	Tinned copper braided shield
Optical shield covering	80 %
External sheath, color	violet RAL 4001
External cable diameter D	6.7 mm ±0,3 mm
Minimum bending radius, fixed installation	5 x D
Minimum bending radius, flexible installation	10 x D
Number of bending cycles	5000000
Bending radius	70 mm
Minimum bending radius, drag chain applications	10 x D
Traversing path	4.5 m
Traversing rate	3 m/s
Acceleration	3 m/s <sup>2</sup>
Cable weight	90 kg/km

## Bus system cable - SAC-5P-MS/ 3,0-920/FS SCO - 1410380

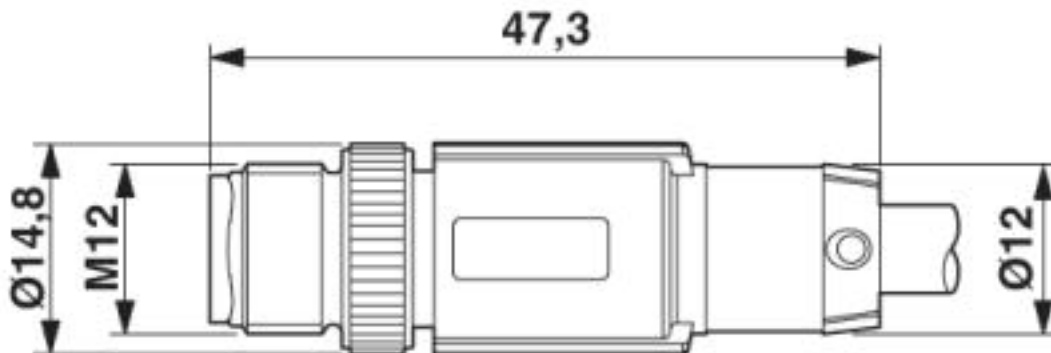
### Technical data

#### Cable

Outer sheath, material	PUR
Material conductor insulation	Foamed PE (Data cable)
	PE (Power supply)
Conductor material	Tin-plated Cu litz wires
Insulation resistance	$\geq 5 \text{ G}\Omega \cdot \text{km}$ (Data cable)
	$\geq 5 \text{ G}\Omega \cdot \text{km}$ (Power supply)
Loop resistance	$\leq 181.80 \text{ }\Omega/\text{km}$ (Data cable)
	$\leq 114.80 \text{ }\Omega/\text{km}$ (Power supply)
Cable capacity	nom. 40 nF/km (Data cable)
Wave impedance	120 $\Omega \pm 10 \%$ (with 1 MHz)
Attenuation	$\leq 22.9 \text{ dB/km}$ (with 1 MHz)
	$\leq 16.4 \text{ dB/km}$ (At 500 kHz)
	$\leq 9.5 \text{ dB/km}$ (At 125 kHz)
Nominal voltage, cable	$\leq 300 \text{ V}$ (Peak value, not for high-power applications)
Test voltage Core/Core	2000 V (50 Hz, 1 min.)
Test voltage Core/Shield	2000 V (50 Hz, 1 min.)
Flame resistance	UL 1581, Sec. 1060 (FT-1)
	IEC 60332-1
	in accordance with ISO 6722-1 5.22 (UN ECE-R 118.01)
Halogen-free	in accordance with DIN VDE 0472 part 815
	according to IEC 60754-1
Other resistance	Low adhesion
Ambient temperature (operation)	-40 °C ... 80 °C (cable, fixed installation)
	-20 °C ... 80 °C (cable, flexible installation)

### Drawings

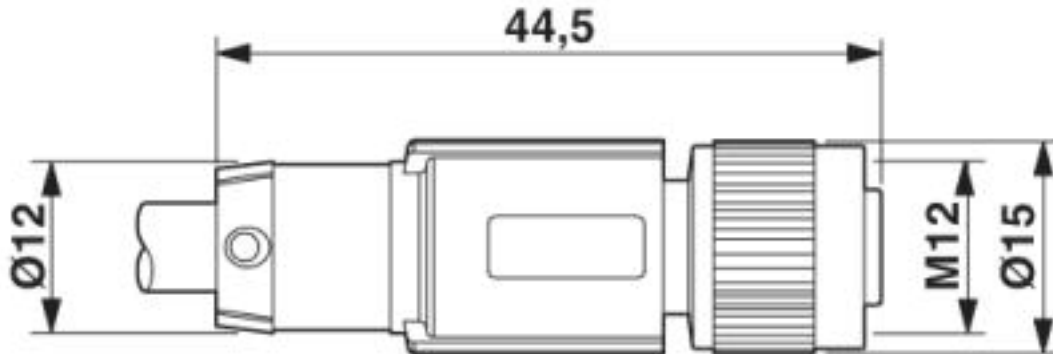
Dimensional drawing



Plug, M12 x 1, straight, shielded

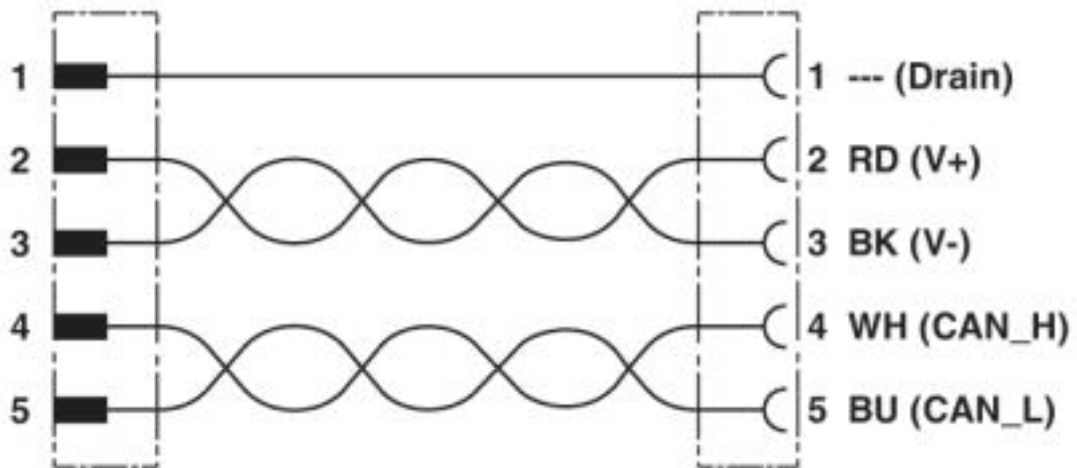
# Bus system cable - SAC-5P-MS/ 3,0-920/FS SCO - 1410380

Dimensional drawing



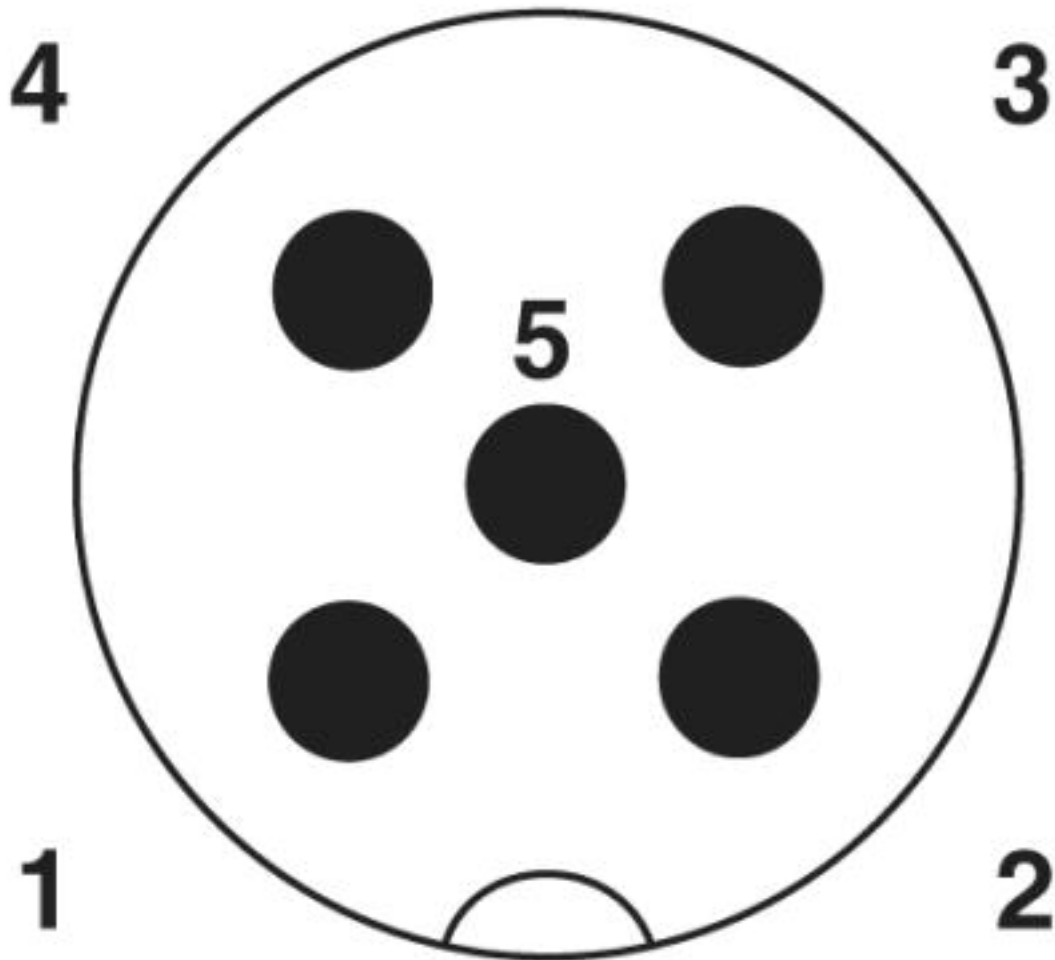
M12 x 1 socket, straight, shielded

Circuit diagram



## Bus system cable - SAC-5P-MS/ 3,0-920/FS SCO - 1410380

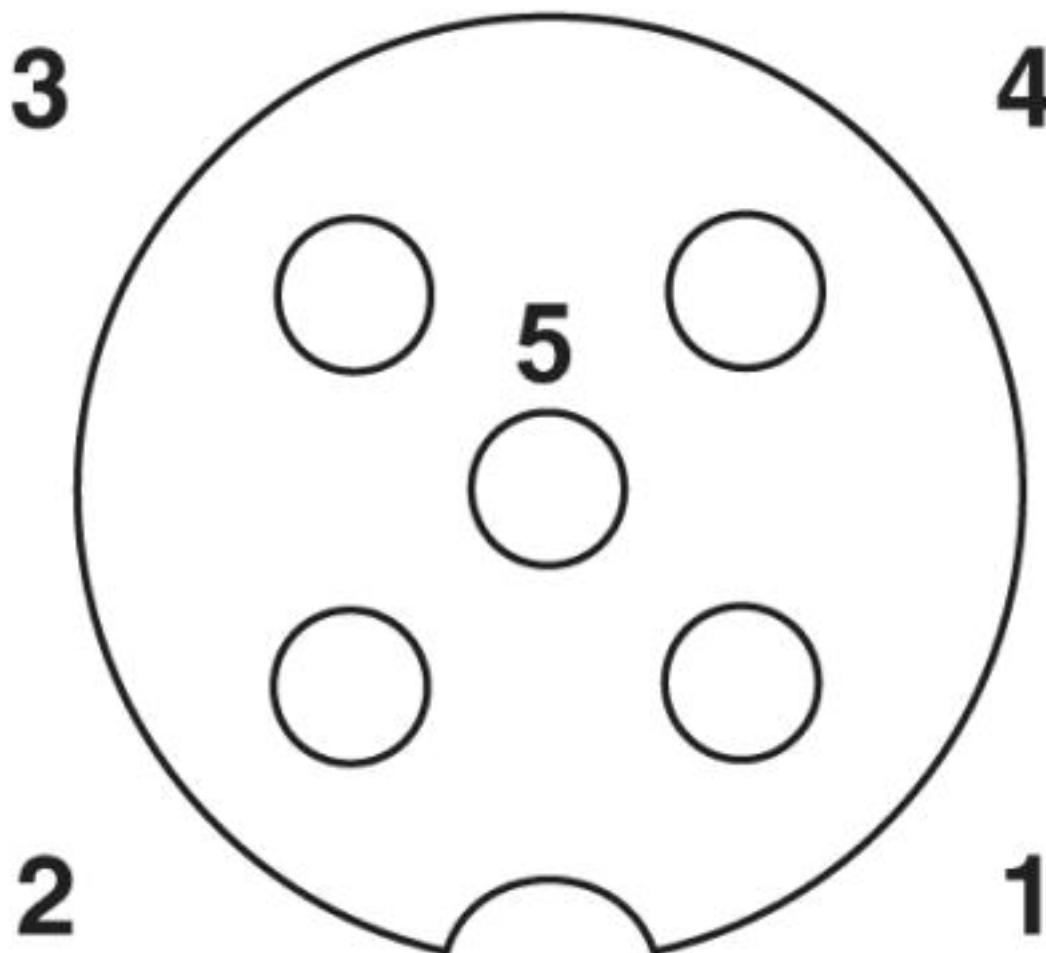
Schematic diagram



Pin assignment M12 male connector, 5-pos., A-coded, male side

## Bus system cable - SAC-5P-MS/ 3,0-920/FS SCO - 1410380

Schematic diagram



Pin assignment M12 socket, 5-pos., A-coded, socket side view

## Bus system cable - SAC-5P-MS/ 3,0-920/FS SCO - 1410380

Cable cross section



CAN Bus/DeviceNet [920]

---

Phoenix Contact 2019 © - all rights reserved  
<http://www.phoenixcontact.com>

PHOENIX CONTACT GmbH & Co. KG  
Flachsmarktstr. 8  
32825 Blomberg  
Germany  
Tel. +49 5235 300  
Fax +49 5235 3 41200  
<http://www.phoenixcontact.com>