

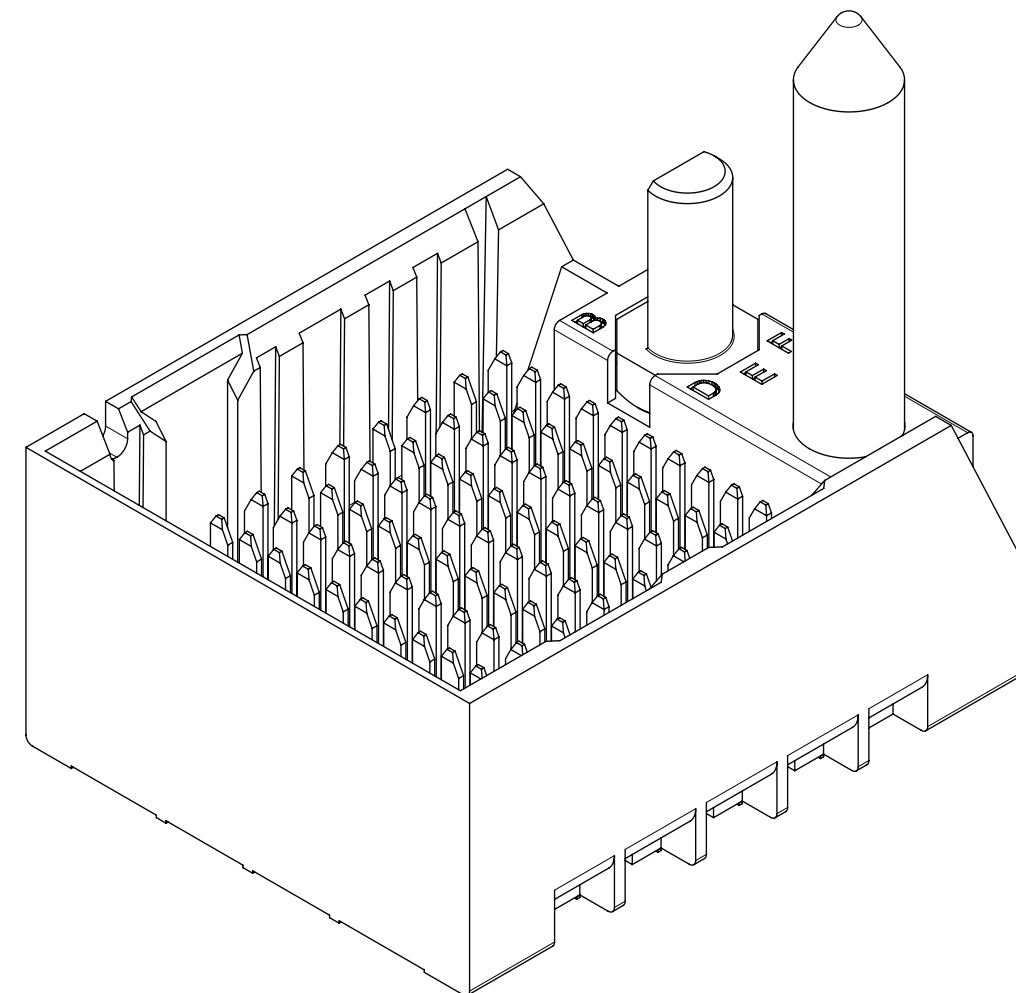
- NOTES:
1. MATERIALS: HOUSING - LIQUID CRYSTAL POLYMER (LCP) GLASS-FILLED, UL94V-0  
TERMINALS - HIGH PERFORMANCE COPPER ALLOY
  2. FINISH: 30µ INCH MIN GOLD IN CONTACT AREA.  
SELECTIVE MATTE TIN ON PCB TAILS, NICKEL OVERALL.
  3. REFER TO MOLEX PRODUCT SPECIFICATION PS-170540-999 FOR PERFORMANCE SPECIFICATIONS AND ADDITIONAL PCB INFORMATION.
  4. REFER TO MOLEX PCB ROUTING GUIDE AS-76060-990 FOR ANTIPAD AND ROUTING RECOMMENDATIONS.
  5. CONNECTORS SUPPLIED WITH A 2-56 UNC-2A SCREW.
  6. "THESE DIMENSIONS REPRESENT THE AREA NEEDED TO ACCOMMODATE CONNECTOR INSERTION AND REPAIR ON THE PC BOARD. THIS IS REFERRED TO AS THE "CONNECTOR KEEP OUT ZONE" AND DOES NOT REPRESENT THE ACTUAL PERIMETER OF THE CONNECTOR. WHEN LAYING OUT THE PC BOARD FOR CONNECTORS STACKED TOGETHER, USE A 1.9mm PROGRESSION."
  7. THIS PART CONFORMS TO MOLEX COSMETIC SPEC PS-45499-002 CLASS B.
  8. PARTS PACKAGED PER PK-70873-757.
  9. SEE SHEETS 2 & 3 FOR PART NUMBERS AND BOARD RELATIONSHIPS.
  10. FOR GROUNDED GUIDE PINS USE Ø 3.56 +/-0.08 (PTH), Ø 3.66 (DRILL) & Ø 6.5 (PAD).
  11. KEEP OUT ZONE FOR BP HOUSING LENGTH INCLUDES AN ADDITIONAL 1.0MM TO ACCOMMODATE FOR SPACE REQUIRED BY DC FRONT HOUSING.
  12. MINIMUM CIRCUIT BOARD THICKNESS: 1.0mm

SYMBOLS		THIS DRAWING CONTAINS INFORMATION THAT IS PROPRIETARY TO MOLEX ELECTRONIC TECHNOLOGIES, LLC AND SHOULD NOT BE USED WITHOUT WRITTEN PERMISSION	
▽ = 0	mm	SCALE	4:1
▽ = 0	GENERAL TOLERANCES (UNLESS SPECIFIED)		
▽ = 0	ANGULAR TOL	±	0.5°
▽ = 0	4 PLACES	±	
▽ = 0	3 PLACES	±	
▽ = 0	2 PLACES	±	0.13
▽ = 0	1 PLACE	±	0.25
▽ = 0	0 PLACES	±	
▽ = 0	DRAFT WHERE APPLICABLE MUST REMAIN WITHIN DIMENSIONS		
CURRENT REV DESC: MIGRATED TO NX		EC NO: 172491	
		DRWN: VK10 2018/02/19	
		CHK'D: DVARVARA 2018/02/20	
		APPR: TELO 2018/02/22	
INITIAL REVISION:		DRWN: JBINGHAM 2012/11/13	
		APPR: JLAURX 2012/11/16	
THIRD ANGLE PROJECTION		DRAWING	SERIES
C-SIZE		170335	
DOCUMENT NUMBER		DOC TYPE	DOC PART
SD-170335-0003		PSD	001
MATERIAL NUMBER		CUSTOMER	SHEET NUMBER
SEE CHART		GENERAL MARKET	1 OF 3

DOCUMENT STATUS	P1	RELEASE DATE	2018/02/22	16:21:50
-----------------	----	--------------	------------	----------

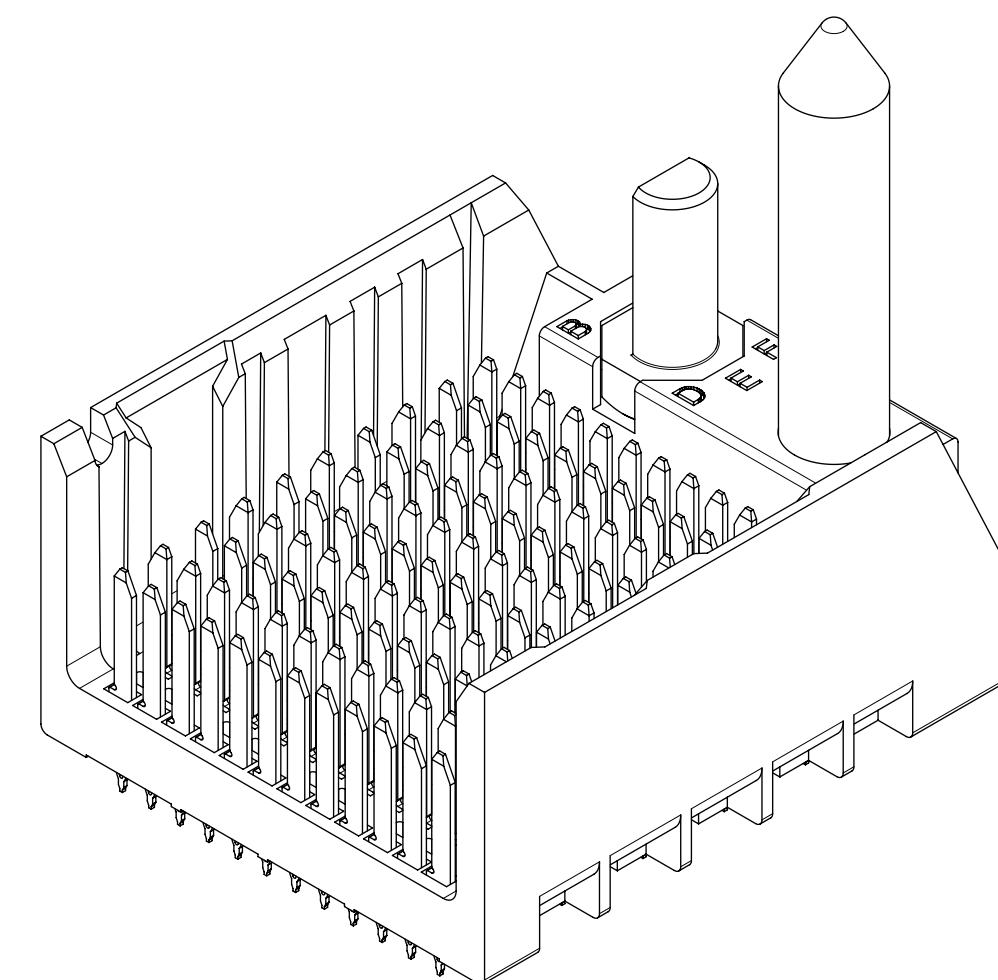
# PART NUMBER CHART

MATERIAL NUMBER	# OF COLUMNS	# OF DIFF PAIR	DIM "A"	DIM "B"	GUIDE RIGHT END WALL OPTION
170335-93**	6	24	19.3	9.50	
170335-98**	8	32	23.1	13.30	
170335-91**	10	40	26.9	17.10	
170335-92**	12	48	30.7	20.90	
170335-94**	14	56	34.5	24.70	
170335-96**	16	64	38.3	28.50	



GUIDE RIGHT  
END WALL  
OPTION

MATERIAL NUMBER	# OF COLUMNS	# OF DIFF PAIR	DIM "A"	DIM "B"	GUIDE RIGHT OPEN WALL OPTION
170335-53**	6	24	17.9	9.50	
170335-58**	8	32	21.7	13.30	
170335-51**	10	40	25.5	17.10	
170335-52**	12	48	29.3	20.90	
170335-54**	14	56	33.1	24.70	
170335-56**	16	64	36.9	28.50	



GUIDE RIGHT  
OPEN WALL  
OPTION

## PART NUMBER LOGIC 170335-\*\*\*\*

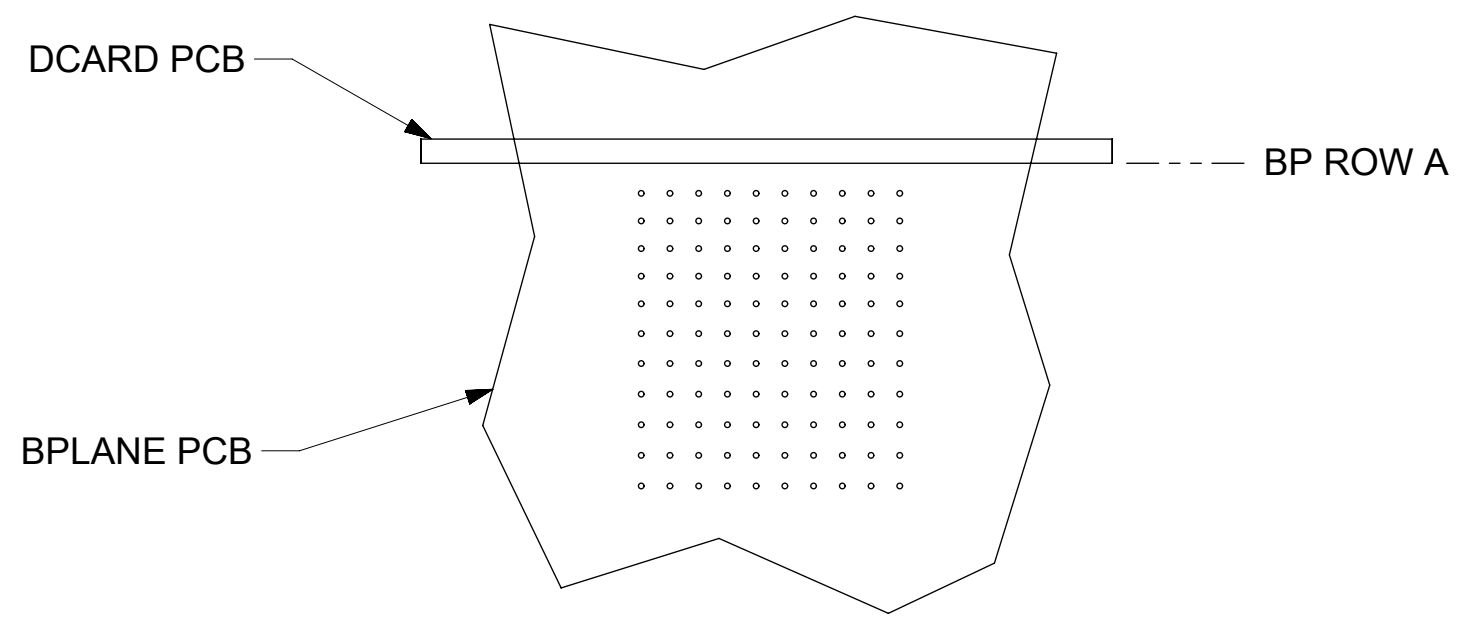
MODULE TYPE  
5 = GUIDE RIGHT, MATTE TIN  
9 = GUIDE RIGHT END WALL, METTA TIN

# OF COLUMNS  
1 = 10 COL  
2 = 12 COL  
3 = 6 COL  
4 = 14 COL  
6 = 16 COL  
8 = 8 COL

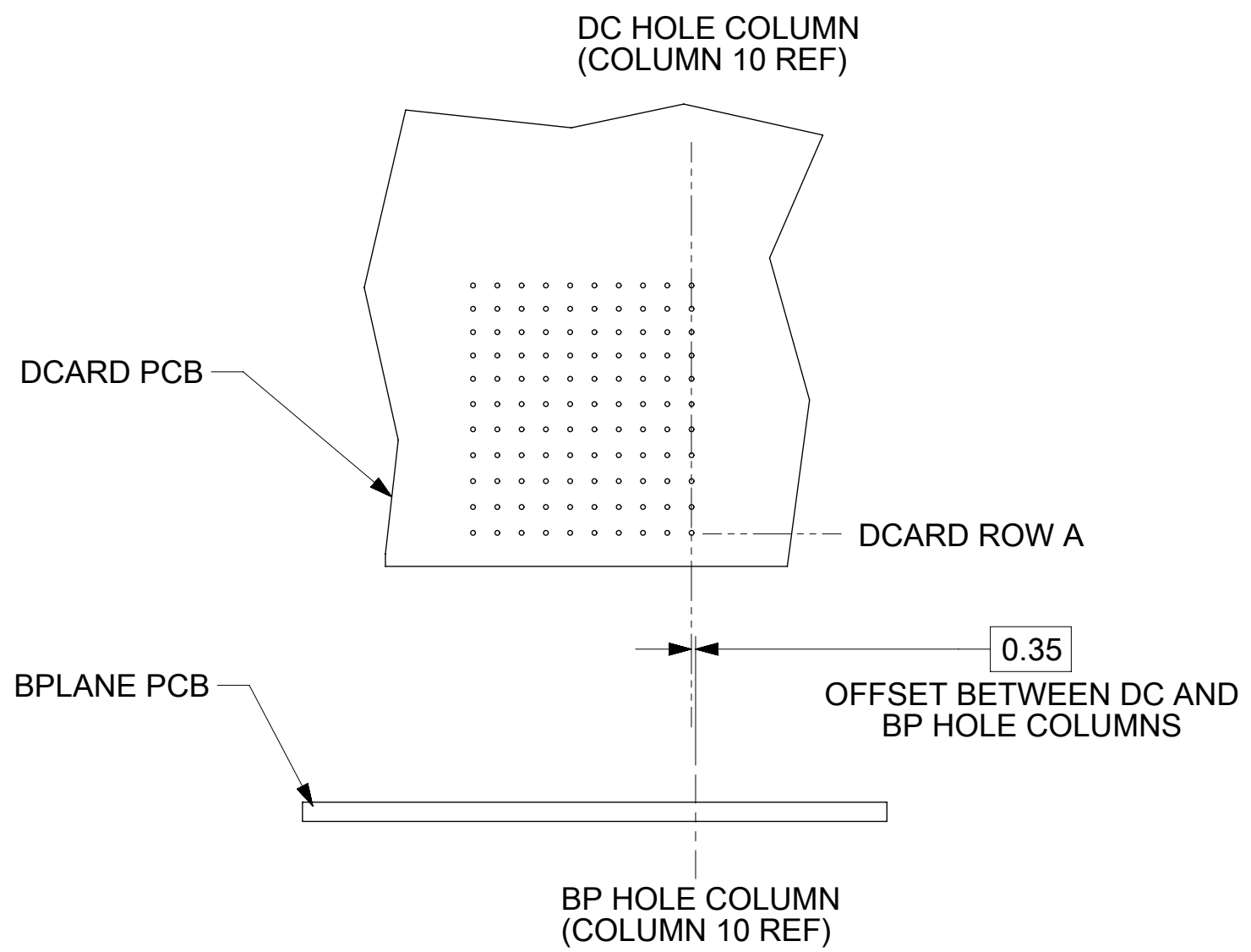
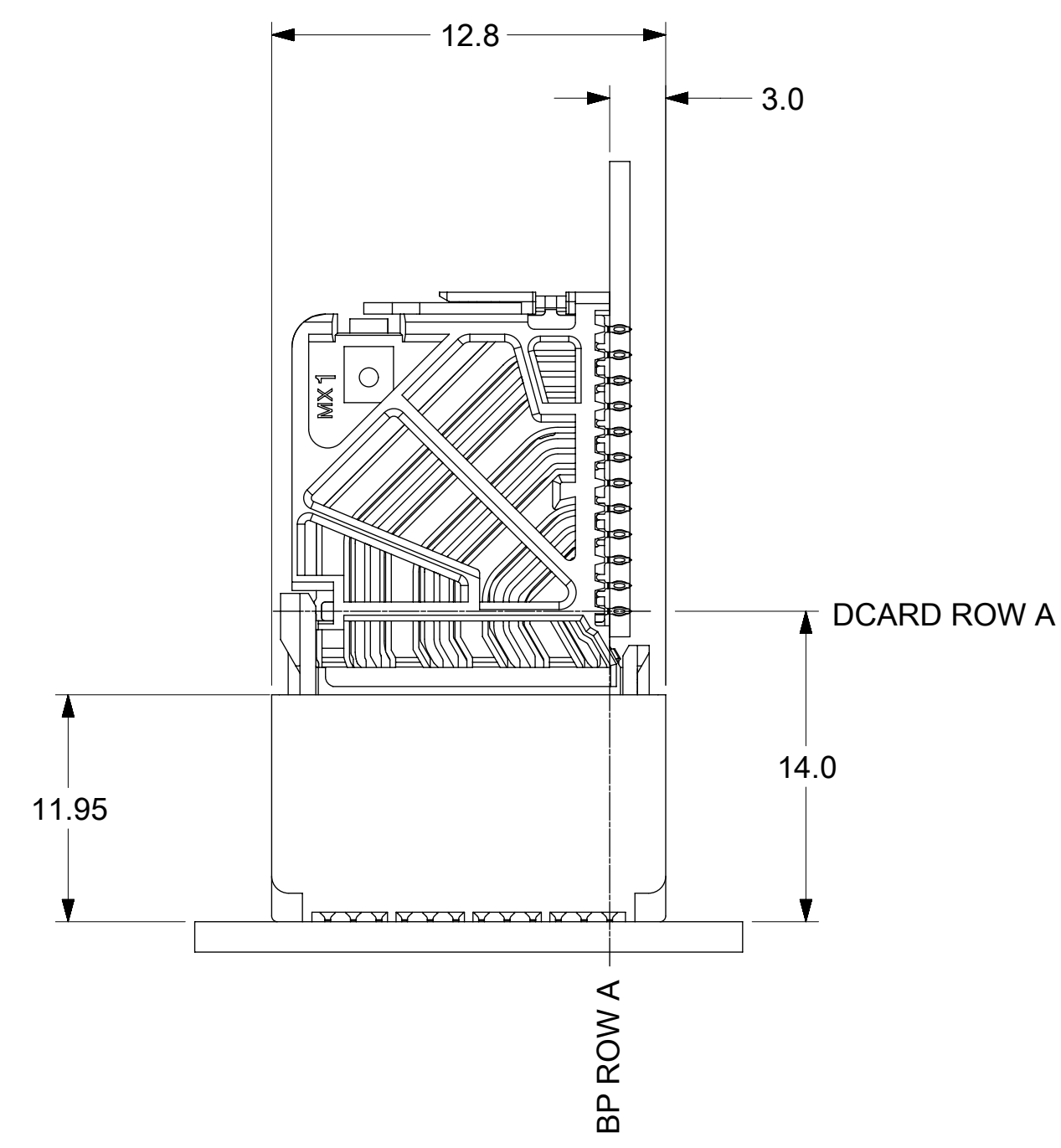
PIN LENGTH (P)  
3 = 4.50 (SHORT COMPLIANT, 0.46±0.05 PTH)  
4 = 4.90 (SHORT COMPLIANT, 0.46±0.05 PTH)  
5 = 5.50 (SHORT COMPLIANT, 0.46±0.05 PTH)  
6 = 4.50 (MICRO COMPLIANT, 0.39±0.05 PTH)  
7 = 4.90 (MICRO COMPLIANT, 0.39±0.05 PTH)  
8 = 5.50 (MICRO COMPLIANT, 0.39±0.05 PTH)

KEY ORIENTATION  
0 = NO KEY  
1 = A  
2 = B  
3 = C  
4 = D  
5 = E  
6 = F  
7 = G  
8 = H

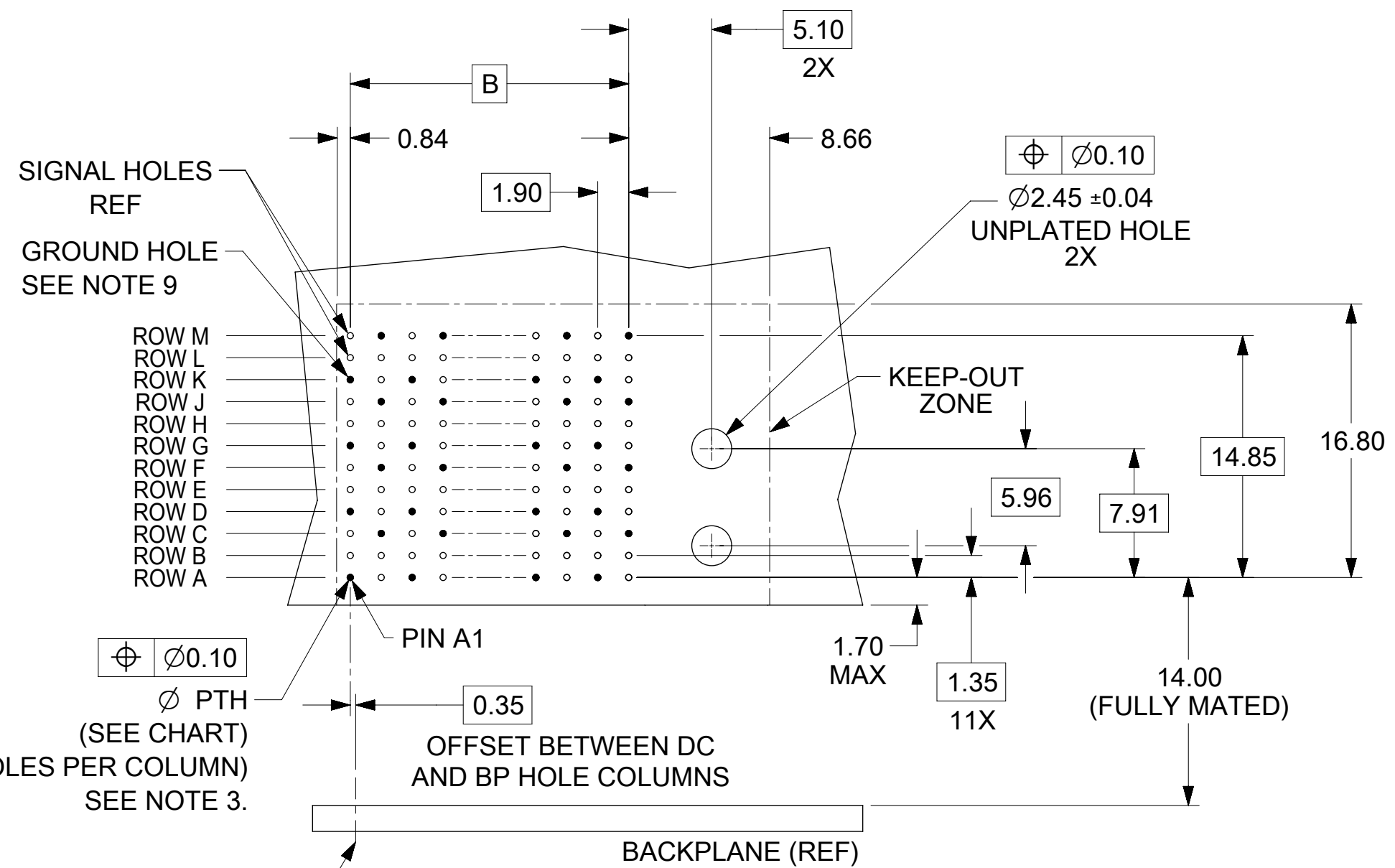
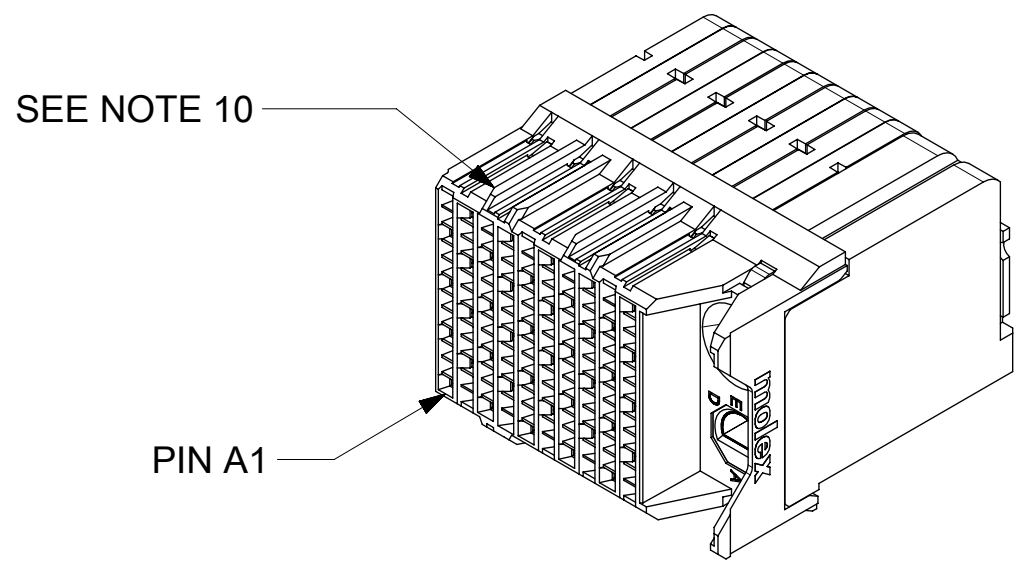
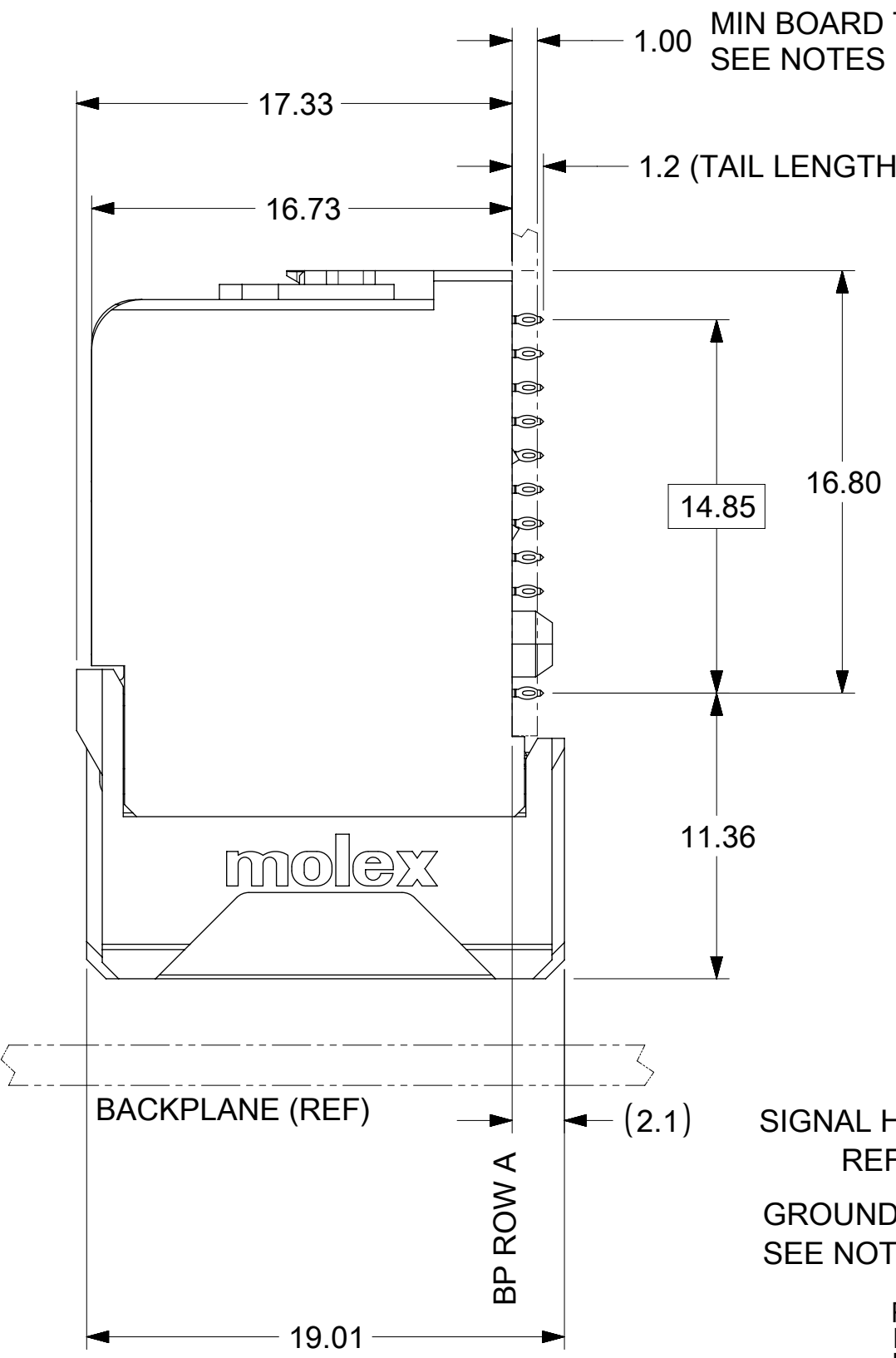
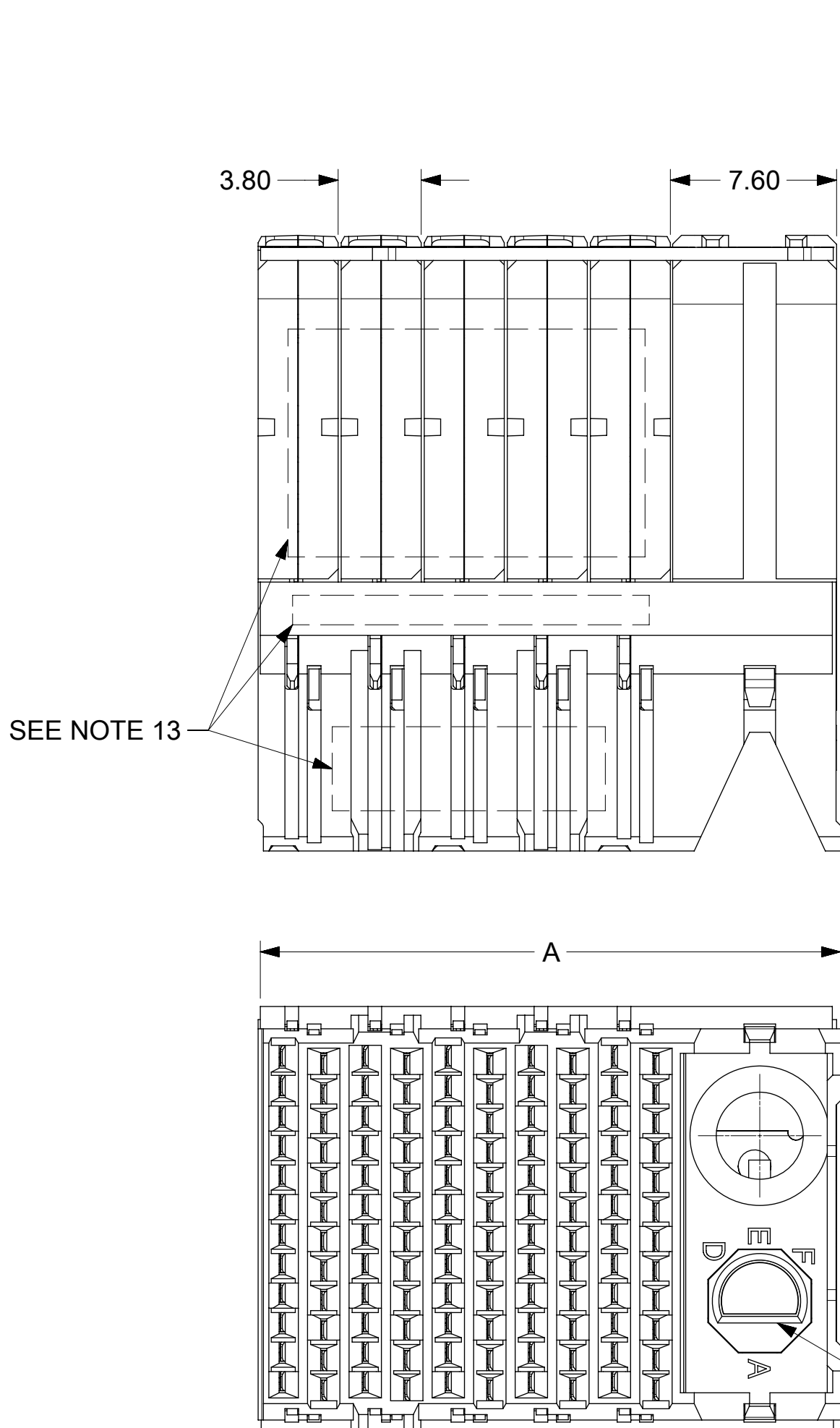
THIS DRAWING CONTAINS INFORMATION THAT IS PROPRIETARY TO MOLEX ELECTRONIC TECHNOLOGIES, LLC AND SHOULD NOT BE USED WITHOUT WRITTEN PERMISSION									
SYMBOLS		DIMENSION UNITS		SCALE		CURRENT REV DESC: MIGRATED TO NX			
▽ = 0		mm		4:1		molex			
▽ = 0		GENERAL TOLERANCES (UNLESS SPECIFIED)				IMPACT 4-PAIR 85-OHM RIGHT GUIDED BACKPLANE SALES ASSEMBLY DRAWING			
▽ = 0		ANGULAR TOL ± 0.5°				PRODUCT CUSTOMER DRAWING			
▽ = 0		4 PLACES ±		EC NO: 172491		DOCUMENT NUMBER			
▽ = 0		3 PLACES ±		DRWN: VK10 2018/02/19		DOC TYPE		DOC PART	
▽ = 0		2 PLACES ± 0.13		CHK'D: DVARVARA 2018/02/20		PSD		001	
▽ = 0		1 PLACE ± 0.25		APPR: TELO 2018/02/22		E1		REVISION	
☒ = 0		0 PLACES ±		INITIAL REVISION:		SD-170335-0003			
■ = 0		DRAFT WHERE APPLICABLE MUST REMAIN WITHIN DIMENSIONS		THIRD ANGLE PROJECTION		SERIES		SHEET NUMBER	
▽ = 0				DRAWING		MATERIAL NUMBER		CUSTOMER	
				C-SIZE		170335		SEE CHART	
						GENERAL MARKET		2 OF 3	



**IMPACT 4 PAIR BOARD RELATIONSHIPS**



THIS DRAWING CONTAINS INFORMATION THAT IS PROPRIETARY TO MOLEX ELECTRONIC TECHNOLOGIES, LLC AND SHOULD NOT BE USED WITHOUT WRITTEN PERMISSION									
SYMBOLS		DIMENSION UNITS		SCALE		CURRENT REV DESC: MIGRATED TO NX			
▽ = 0	mm	2:1		<b>molex</b> IMPACT 4-PAIR 85-OHM RIGHT GUIDED BACKPLANE SALES ASSEMBLY DRAWING PRODUCT CUSTOMER DRAWING					
▽ = 0	GENERAL TOLERANCES (UNLESS SPECIFIED)								
▽ = 0	ANGULAR TOL ± 0.5°								
▽ = 0	4 PLACES ±								
▽ = 0	3 PLACES ±								
▽ = 0	2 PLACES ± 0.13			EC NO: 172491		2018/02/19		DOCUMENT NUMBER <b>SD-170335-0003</b> DOC TYPE PSD DOC PART 001 REVISION <b>E1</b>	
▽ = 0	1 PLACE ± 0.25			DRWN: VK10		2018/02/20			
▽ = 0	0 PLACES ±			CHK'D: DVARVARA		2018/02/22			
□ = 0	DRAFT WHERE APPLICABLE MUST REMAIN WITHIN DIMENSIONS			THIRD ANGLE PROJECTION		DRAWING		SERIES	
▽ = 0				C-SIZE		170335		MATERIAL NUMBER SEE CHART	
								CUSTOMER GENERAL MARKET	
								SHEET NUMBER 3 OF 3	



- NOTES:
1. MATERIALS: HOUSING - GRAY LIQUID CRYSTAL POLYMER (LCP), GLASS-FILLED, UL94V-0  
TERMINALS - HIGH PERFORMANCE COPPER ALLOY
  2. FINISH: 30µIN MIN SELECTIVE GOLD IN CONTACT AREA, SELECTIVE TIN  
ON PCB TAILS. NICKEL OVERALL.
  3. REFER TO MOLEX PRODUCT SPEC PS-170540-999 FOR PERFORMANCE SPECIFICATIONS  
AND ADDITIONAL PCB INFORMATION.
  4. EACH SIGNAL WAFER CONTAINS 2 COLUMNS OF TERMINALS.
  5. PRODUCT IS PACKAGED PER PK-70873-610.
  6. THIS PART CONFORMS TO CLASS B REQUIREMENTS OF COSMETIC SPEC PS-45499-002.
  7. REFER TO MOLEX SALES DRAWING SD-170335-0003 FOR THE MATING HEADERS.
  8. REFER TO MOLEX PCB ROUTING GUIDE AS-76060-990 FOR THE ANTIPAD AND ROUTING  
RECOMMENDATIONS.
  9. GROUND PATHS ARE NOT DISCRETE CIRCUITS WITHIN CONNECTOR DUE TO PRESENCE  
OF PLUS CLIP.
  10. PART NUMBER 170340-5120 SHOWN ON DRAWING. KEYING FEATURES WILL CHANGE  
WITH COLUMN SIZE.
  11. MINIMUM BOARD THICKNESS IS 1.00 mm FOR COMPLIANT PIN FUNCTIONALITY.
  12. WHEN USING MOLEX SUPPLIED #2-32 SCREW 73726-0000, THE MAXIMUM BOARD  
THICKNESS IS 4.4 mm.
  13. MARKING: LOCATED APPROXIMATELY AS SHOWN. PART NUMBER AND DATE CODE.

**DAUGHTERCARD HOLE PATTERN  
(CONNECTOR SIDE)**

THIS DRAWING CONTAINS INFORMATION THAT IS PROPRIETARY TO MOLEX ELECTRONIC TECHNOLOGIES, LLC AND SHOULD NOT BE USED WITHOUT WRITTEN PERMISSION											
DIMENSION UNITS		SCALE		CURRENT REV DESC: UPDATED PN SCHEME AS RIGHT ON SHEET 2							
mm		NTS									
GENERAL TOLERANCES (UNLESS SPECIFIED)				EC NO: 668643						IMPACT 4-PAIR 85-OHM	
ANGULAR TOL ± 0.5°				DRWN: CD 2021/06/25						DAUGHTERCARD SIGNAL GUIDE RIGHT SALES DWG	
4 PLACES ±				CHK'D: SHONG 2021/07/16							
3 PLACES ±				APPR: SHONG 2021/07/16						PRODUCT CUSTOMER DRAWING	
2 PLACES ± 0.13				INITIAL REVISION:						DOCUMENT NUMBER	
1 PLACE ± 0.25				DRWN: TELO 2010/05/12						SD-170340-0004	
0 PLACES ±				APPR: TELO 2011/01/25						DOC TYPE DOC PART REVISION	
DRAFT WHERE APPLICABLE MUST REMAIN WITHIN DIMENSIONS				THIRD ANGLE PROJECTION		DRAWING		SERIES		MATERIAL NUMBER	
				C-SIZE		170340		SEE CHART		CUSTOMER	
								GENERAL MARKET		SHEET NUMBER	
										1 OF 2	

MATERIAL NUMBER	# OF COLUMNS	# OF DIFF PAIR	DIM "A" MAX	DIM "B"	PTH $\phi$
170340-5*06	6	24	19.00	9.50	0.46 $\pm 0.05$
170340-5*08	8	32	22.80	13.30	
170340-5*10	10	40	26.60	17.10	
170340-5*12	12	48	30.40	20.90	
170340-5*14	14	56	34.20	24.70	
170340-5*16	16	64	38.00	28.50	
170340-5*36	6	24	19.00	9.50	0.39 $\pm 0.05$
170340-5*38	8	32	22.80	13.30	
170340-5*20	10	40	26.60	17.10	
170340-5*22	12	48	30.40	20.90	
170340-5*24	14	56	34.20	24.70	
170340-5*26	16	64	38.00	28.50	

170340-\*\*\*\*

MODULE & TAIL PLATING TYPE  
5 = RIGHT GUIDED LEAD-FREE

POLARIZATION KEY ORIENTATION  
0 = NO KEY  
1 = A    5 = E  
2 = B    6 = F  
3 = C    7 = G  
4 = D    8 = H

# OF COLUMNS  
06 = 6 COL 0.46 PTH  
08 = 8 COL 0.46 PTH  
10 = 10 COL 0.46 PTH  
12 = 12 COL 0.46 PTH  
14 = 14 COL 0.46 PTH  
16 = 16 COL 0.46 PTH  
20 = 10 COL 0.39 PTH  
22 = 12 COL 0.39 PTH  
24 = 14 COL 0.39 PTH  
26 = 16 COL 0.39 PTH  
36 = 6 COL 0.39 PTH  
38 = 8 COL 0.39 PTH

THIS DRAWING CONTAINS INFORMATION THAT IS PROPRIETARY TO MOLEX ELECTRONIC TECHNOLOGIES, LLC AND SHOULD NOT BE USED WITHOUT WRITTEN PERMISSION									
DIMENSION UNITS <b>mm</b>		SCALE <b>NTS</b>		CURRENT REV DESC: UPDATED PN SCHEME AS RIGHT ON SHEET 2			<b>molex</b>		
GENERAL TOLERANCES (UNLESS SPECIFIED)				EC NO: 668643					
ANGULAR TOL $\pm 0.5^\circ$				DRWN: CD 2021/06/25			DAUGHTERCARD SIGNAL GUIDE RIGHT SALES DWG		
4 PLACES $\pm$				CHK'D: SHONG 2021/07/16					
3 PLACES $\pm$				APPR: SHONG 2021/07/16			PRODUCT CUSTOMER DRAWING		
2 PLACES $\pm 0.13$				INITIAL REVISION:			DOCUMENT NUMBER		
1 PLACE $\pm 0.25$				DRWN: TELO 2010/05/12			SD-170340-0004		
0 PLACES $\pm$				APPR: TELO 2011/01/25			PSD	001	B6
DRAFT WHERE APPLICABLE MUST REMAIN WITHIN DIMENSIONS		THIRD ANGLE PROJECTION		DRAWING	SERIES	MATERIAL NUMBER		CUSTOMER	SHEET NUMBER
				C-SIZE	170340	SEE CHART		GENERAL MARKET	2 OF 2

DOCUMENT STATUS	P1	RELEASE DATE	2021/07/16	03:06:11
-----------------	----	--------------	------------	----------