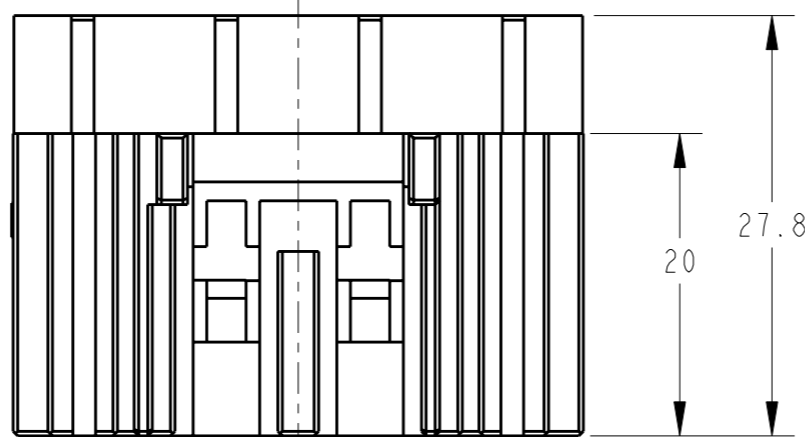
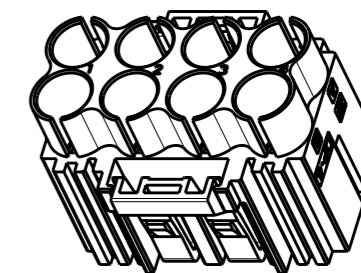


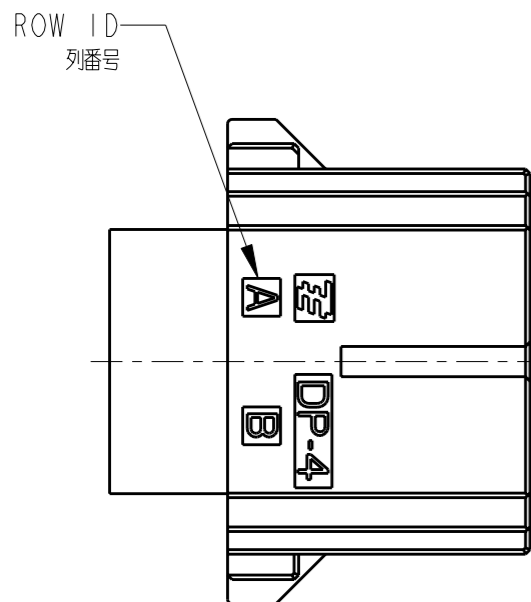
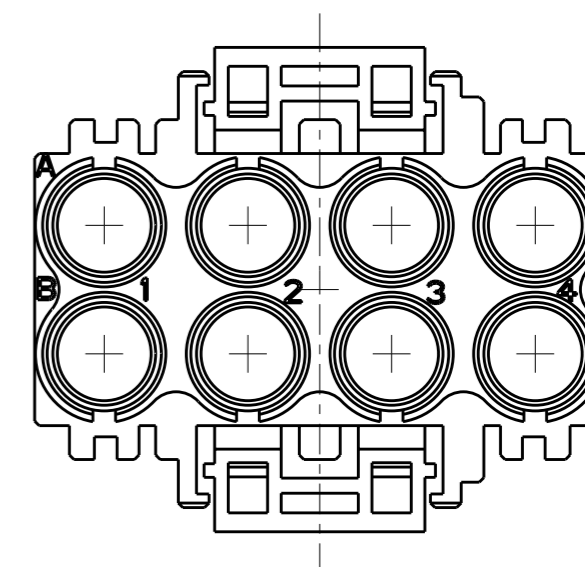
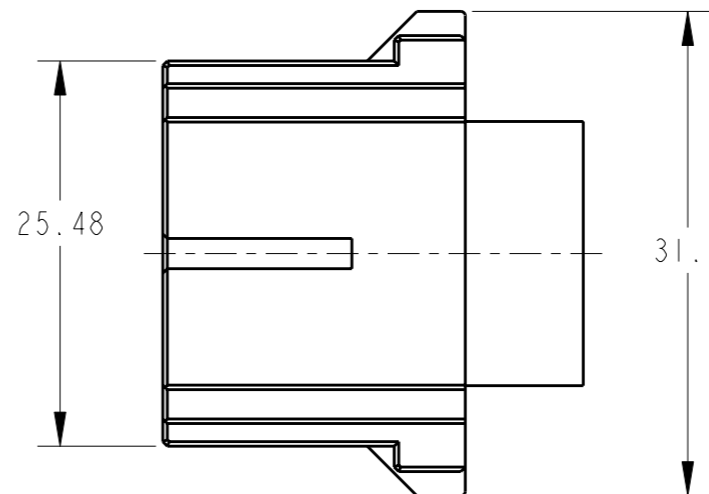
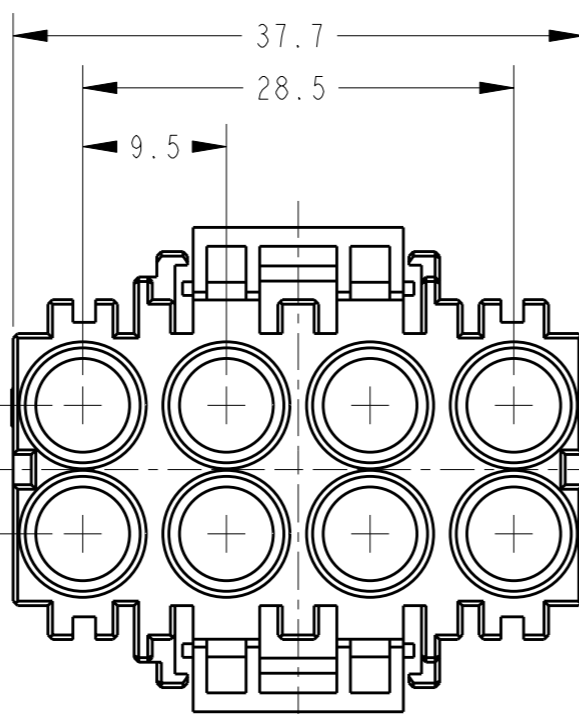
LOC	DIST	REVISIONS					
		P	LTR	DESCRIPTION	DATE	DWN	APVD
J	-		B	REVISED PER ECR-10-013235	09JUL2010	HMR	TM



AS SHOWN: 1903104-1



スケール 1:1



注記

1. 材料:ハウジング:ガラス入り熱可塑性(94V-0)、色:黒
2. 嵌合コンタクト:オスコンタクト:P/No:1903100-1
:メスコンタクト:P/No:1903289-1
3. 嵌合ハウジング:キャップハウジング8P:P/No:1903106-1

NOTE

1. MATERIAL:HOUSING:GLASS FILED THERMO PLASTIC POLYESTER(94V-0)
COLOR:BLACK
2. MATE CONTACT:MALE CONTACT P/No:1903100-1
:FEMALE CONTACT P/No:1903289-1
3. MATE HSG:CAP HSG 8P:P/No:1903106-1

THIS DRAWING IS A CONTROLLED DOCUMENT FOR TYCO ELECTRONICS CORPORATION IT IS SUBJECT TO CHANGE AND THE CONTROLLING ENGINEERING ORGANIZATION SHOULD BE CONTACTED FOR THE LATEST REVISION.		DWN T. Sakamoto 27OCT2006	Tyco Electronics Tyco Electronics AMP K.K. Kawasaki, Japan	
DIMENSIONS: 単位: 耗 mm	TOLERANCES UNLESS OTHERWISE SPECIFIED: 一般公差 0 PLC ± 0.4 1 PLC ± 0.4 2 PLC ± 1° 3 PLC ± 4 PLC ± ANGLES ±	CHK D. Mitsugi 27OCT2006	NAME 名称 PLUG HSG 8P PNEUMATIC CONNECTOR	
	MATERIAL 材料	APVD D. Mitsugi 27OCT2006	SIZE A3	RESTRICTED TO
	FINISH 仕上	PRODUCT SPEC 製品規格 108-78406	CAGE CODE 00779	REV B
		APPLICATION SPEC 取付適用規格	DRAWING NO 番号 C-1903104	
		WEIGHT -	SCALE 尺度 2:1	SHEET OF 1
		CUSTOMER DRAWING		