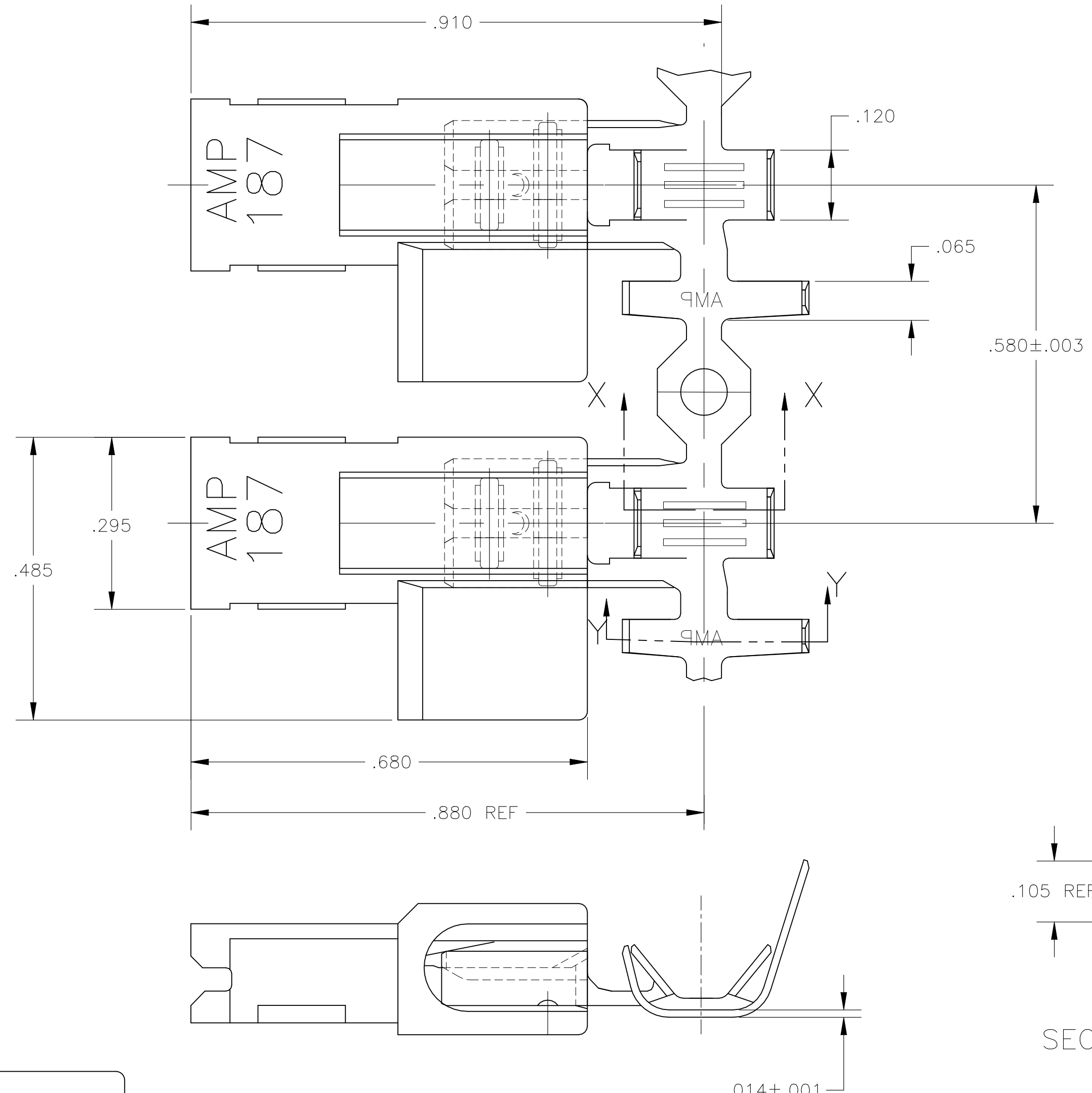
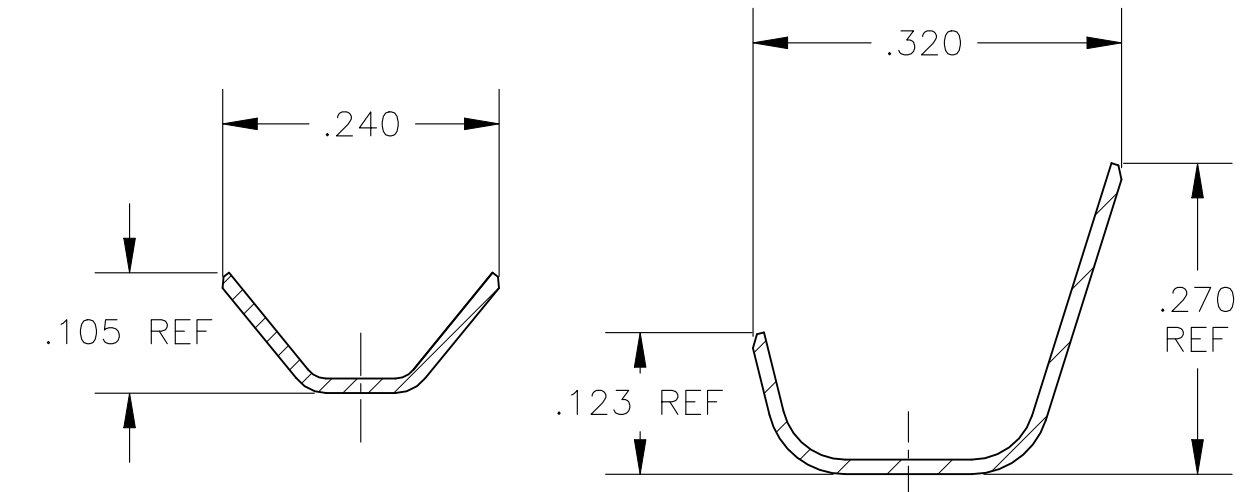


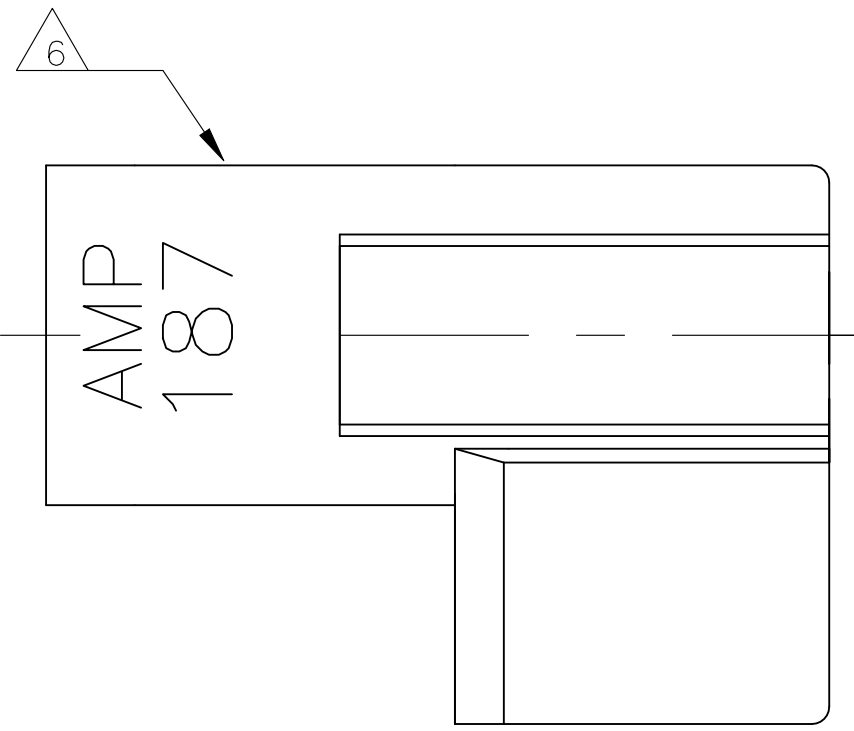
REVISIONS					
P	LTR	DESCRIPTION	DATE	DWN	APVD
B1		REVISED PER ECR-22-160893	14DEC2022	DB	BW



- 2 WIRE SIZE IS #18-#14 AWG OR TWO #18'S
- 3 INSULATION RANGE IS .110-.150 DIA OR TWO AT .110 MAX DIA.
- 4 MATERIAL;  
TERMINAL: BRASS, FINISH SEE TABLE  
HOUSING: V2 NYLON, NATURAL COLOR (WHITE)
- 5 FITS .187 X .020 THK FASTON TAB
- 6 ALTERNATIVE HOUSING FORM
- 7 PRELIMINARY - NOT FOR PRODUCTION.
- 8 GLOW WIRE APPROVED; CONTACT TE ENGINEERING FOR SPECIFICATION (ALL WALL THICKNESSES ARE BETWEEN 0.4-3.0[.015-.118])



SECTION X-X      SECTION Y-Y



TIN PLATE	8	1969133-2
NO PLATING	7	1969133-1
TERMINAL: FINISH		PART NO.

THIS DRAWING IS A CONTROLLED DOCUMENT.		DWN RAGHAVENDRA 07MAY07	TE Connectivity	
DIMENSIONS: INCHES	TOLERANCES UNLESS OTHERWISE SPECIFIED:	CHK G D PORTA 07MAY07	NAME ASSEMBLY, RECPT, FLAG, ULTRA-POD, .187 SERIES 18-14 AWG , V2 HOUSING	
	0 PLC ± -	APVD G D PORTA 07MAY07	SIZE	RESTRICTED TO
	1 PLC ± -	PRODUCT SPEC	A2	-
MATERIAL SEE NOTES	2 PLC ± -	APPLICATION SPEC	CAGE CODE	DRAWING NO
	3 PLC ± .010	108-2215	00779	C=1969133
FINISH SEE NOTES	4 PLC ± -	114-2124	SCALE	SHEET
	ANGLES ± -	WEIGHT	6:1	1 of 1
		CUSTOMER DRAWING	REV	B1