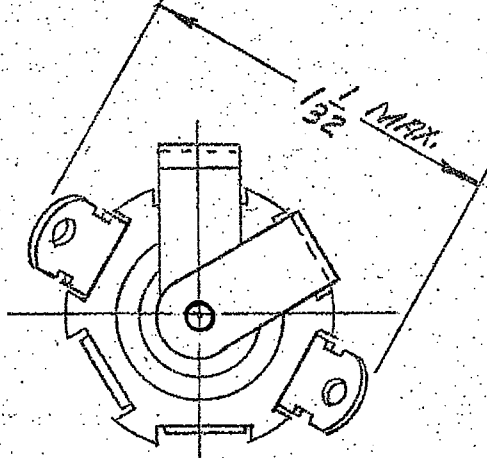
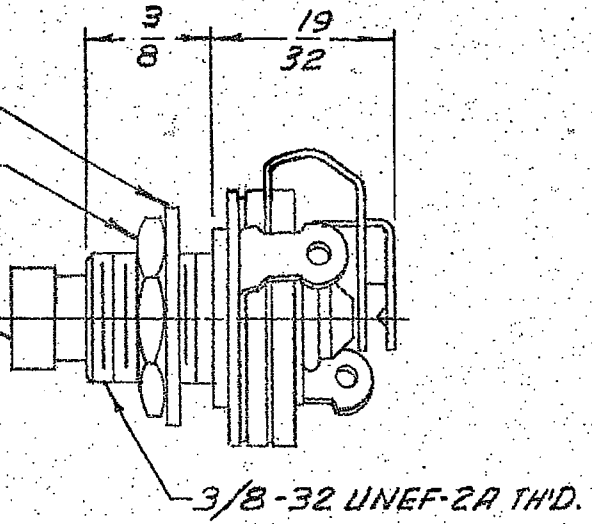


AR

201

5/8 O.D. STL. WASHER
NI. PL.
1/2 NUT BRASS
PL.
PUSHBUTTON
(BLACK)



MATERIALS:

1. BUSHING - BRASS - NI. PL.
2. SPRINGS - NI. SIL. - SPG. TEMP.
3. SPACERS - PAPER BASE PHENOLIC

CUSTOMER DRAWING



ISS	REV	REVISION	BY	DATE
1		REWORK	1/21	5-5-64
2		ECO 1A111	2/23	6-2-64
3		ECO 20627	7/10	8-11-64

THIS DRAWING DESCRIBES A DESIGN CONSIDERED PROPRIETARY IN NATURE, DEVELOPED AND MANUFACTURED BY SWITCHBOARD, INC., AND IS RELEASED ON A CONFIDENTIAL BASIS FOR IDENTIFICATION PURPOSE ONLY.

UNLESS OTHERWISE SPECIFIED:

- 1 - DECIMAL DIMENSIONS ± .001
- 2 - FRACTIONAL DIMENSIONS ± 1/64
- 3 - ANGLES ± 1/2°
- 4 - ALL DIA'S CONCENTRIC WITHIN .005 T.I.R.
- 5 - ALL DIMENSIONS IN INCHES
- 6 - FOR THREADS USE UNIFIED PLUG AND RING GAGES ONLY.
- 7 - REMOVE ALL BURRS.
- 8 - PART TO BE FABRICATED AS SPECIFIED. MAKE NO DIMENSIONAL ALLOWANCES FOR APPLIED FINISHES, I.E., PLATING, PAINTING, ETC.
- 9 - HOLES ON SAME CENTERLINE MUST BE ALIGNED WITHIN .005

DO NOT SCALE DRAWING.

DRAWN BY R.L.S.	DATE 5-5-64	FINISH
CHECKED BY MW	DATE 2-4-68	PER FINISH SPEC. NO.
APPROVED BY L.G.	DATE 5-19-64	MATERIAL
SCALE 2:1		PER MAT. SPEC. NO.
FIRST USED ON	SWITCHBOARD	
NAME NON-LOCKING LITTEL SWITCH	PART NO. 201	ISSUE B
	SHEET	OF