

**COMMON DIMENSIONS
2040586103 SHOWN**

NOTES

1. MATERIALS

CAGE: STAINLESS STEEL, 0.25 THICK
 SPRING FINGERS: COPPER ALLOY, 0.08 THICK
 CONNECTOR HOUSING: HIGH PERFORMANCE THERMOPLASTIC, 94V-0
 TERMINALS: HIGH PERFORMANCE COPPER ALLOY, 0.18 THICK

2. FINISH

SPRING FINGERS: 0.5µm MIN NICKEL
 TERMINALS: CONTACT AREA: 0.76µm MIN GOLD OVER 3.8µm MIN NICKEL
 COMPLIANT AREA: 0.76-3.0µm MATTE TIN OVER 1.3µm MIN NICKEL

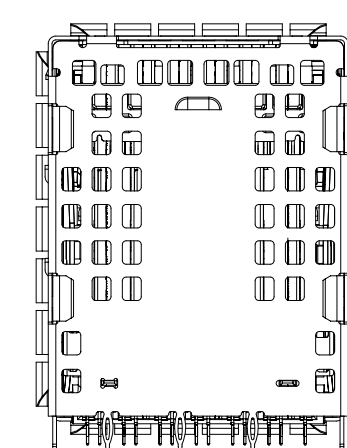
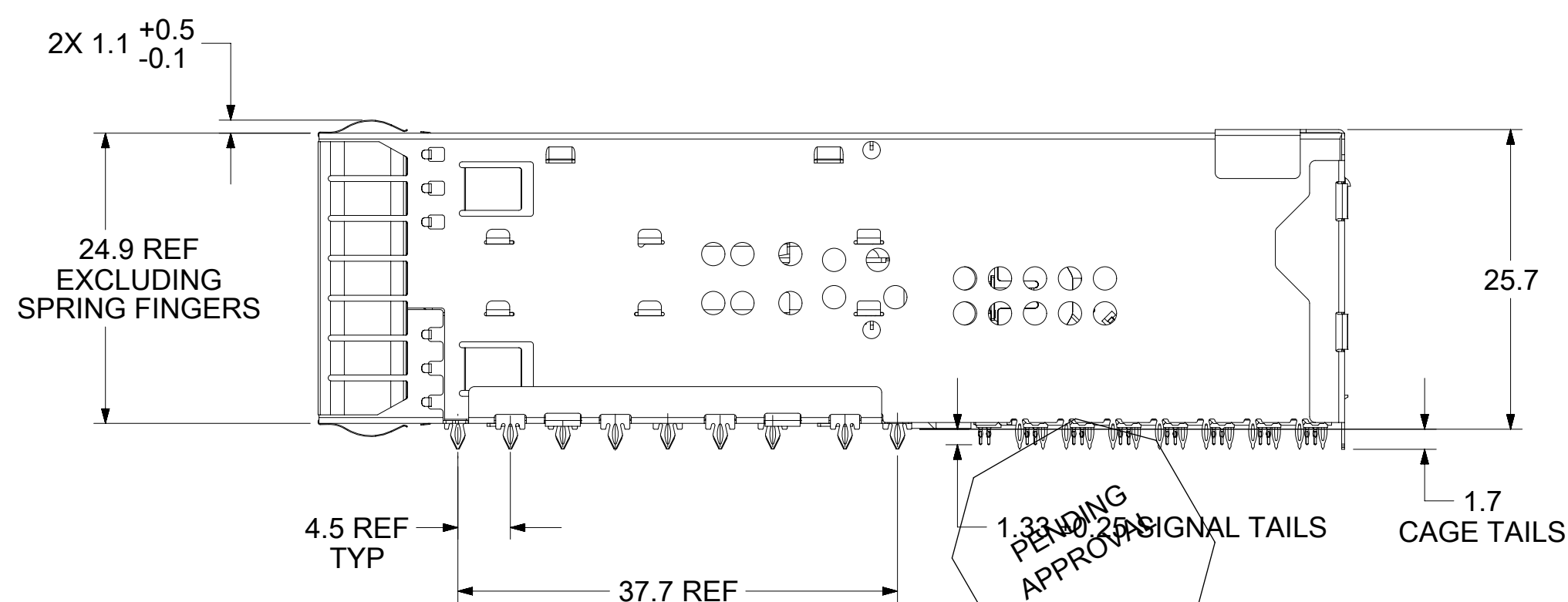
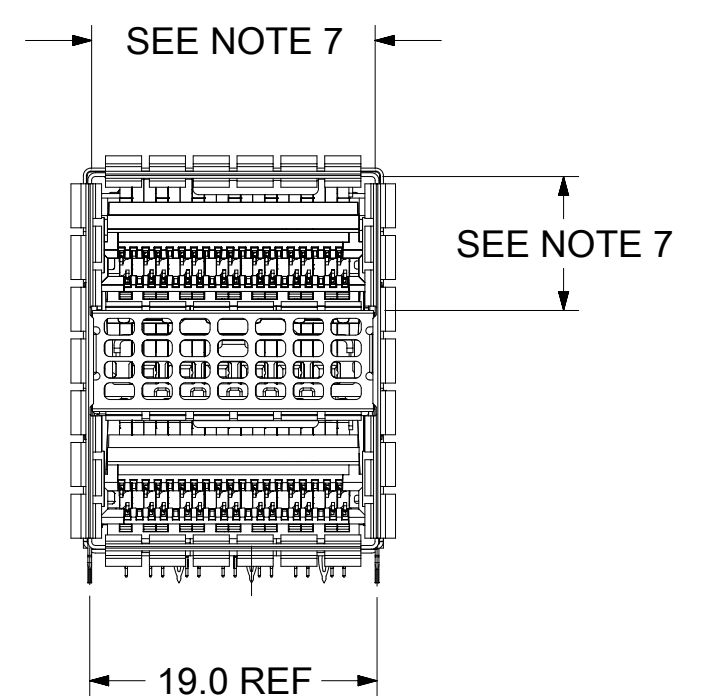
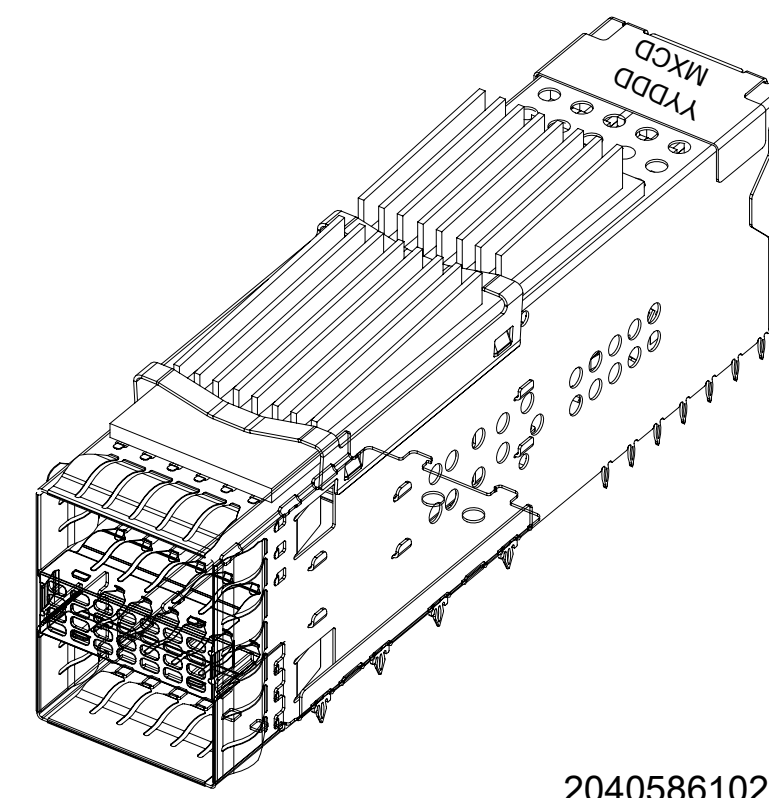
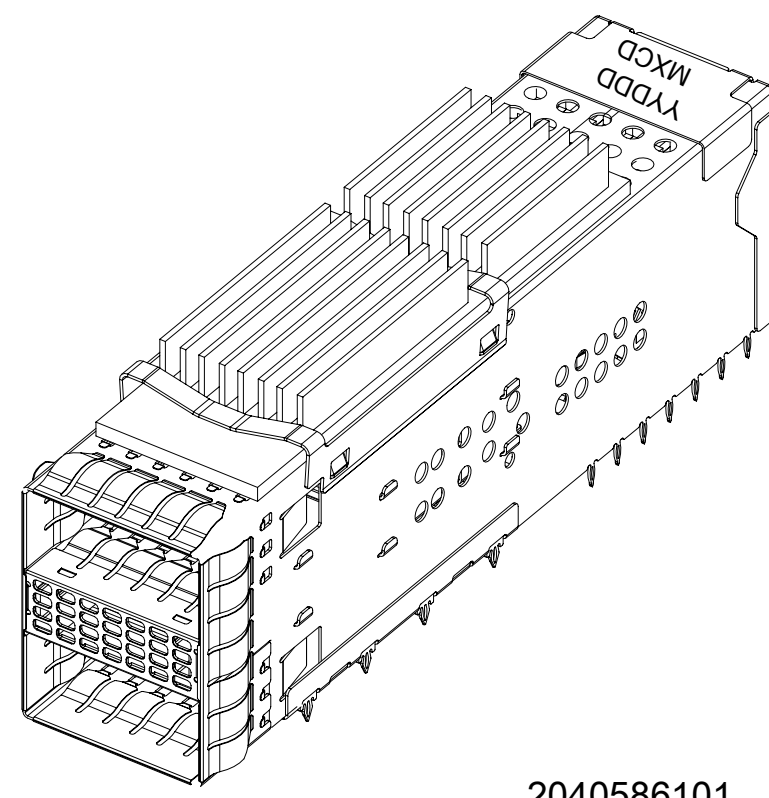
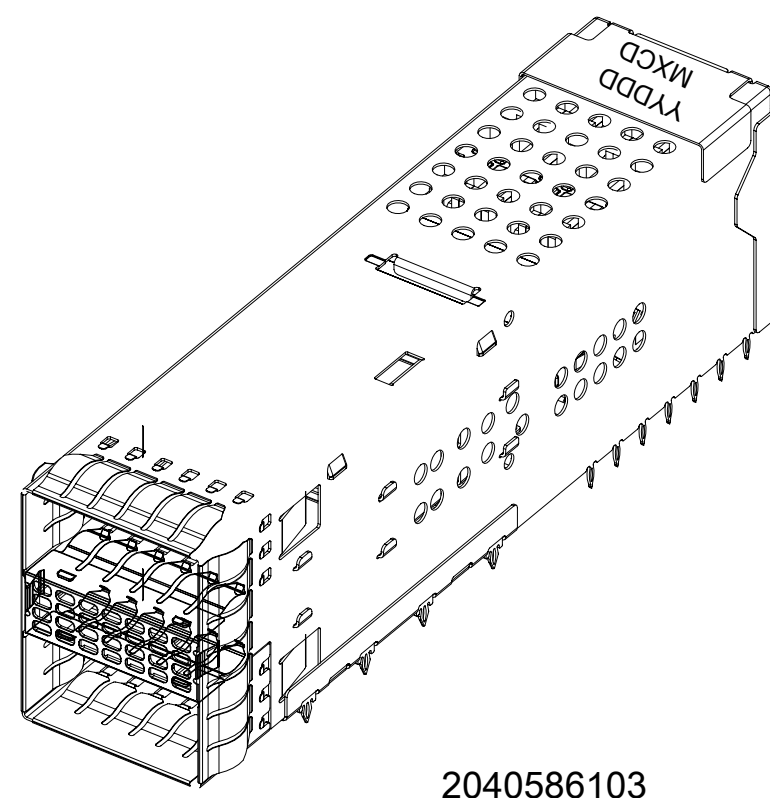
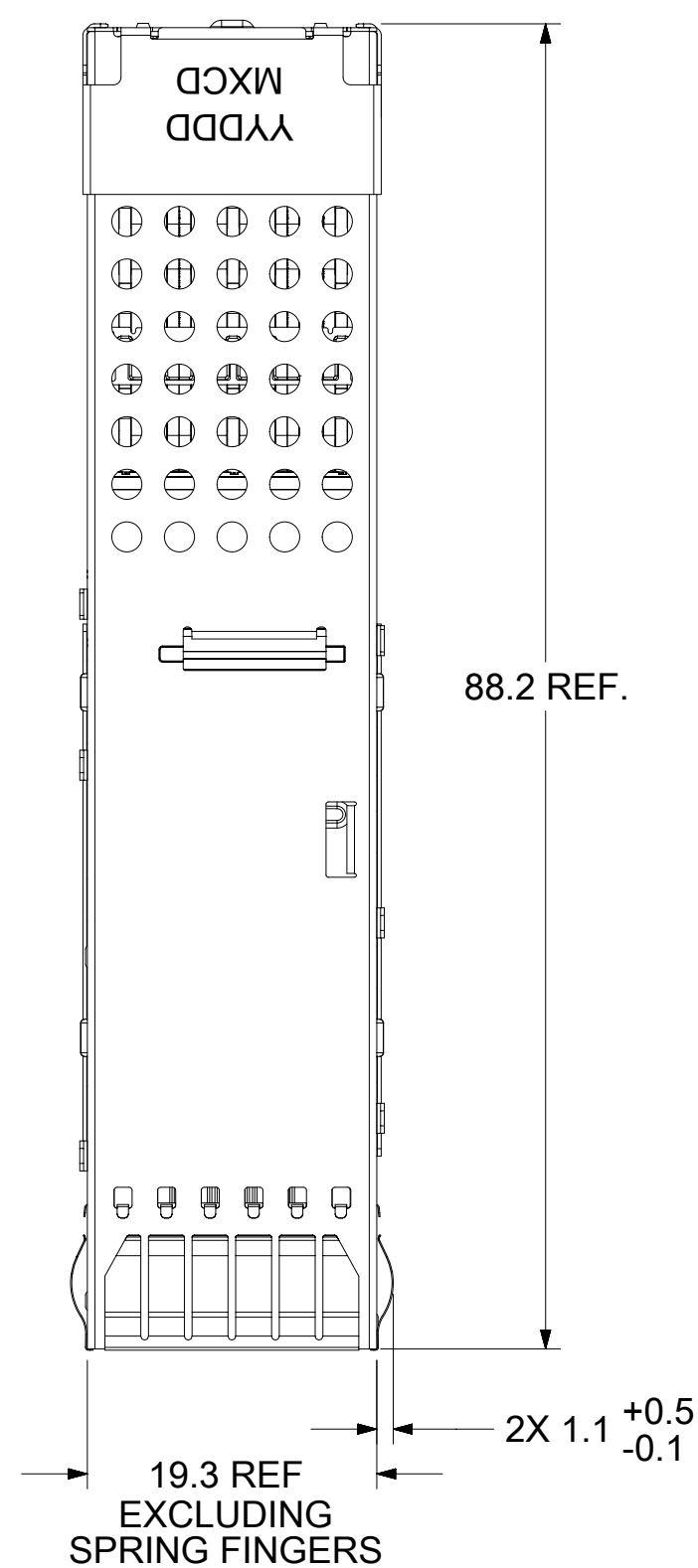
3. REFER TO 2040509001 FOR PACKAGING INFORMATION.

4. CONNECTOR INTENDED TO MATE WITH CABLE PLUG SERIES 74757,74758 AND 201591.

5. ALL VISIBLE CAGE EXTERIOR SURFACES TO BE CLASS B, EXCEPT FOR THE UNDERSIDE OF THE CAGE AND SHOULD CONFORM TO THE MOLEX COSMETIC STANDARD ES-171233-0001.

**6. DATE CODE LOCATION SHOWN. DATE CODE FORMAT:YYDDD
 YY = YEAR, DDD = DAY OF THE YEAR**

7. CAGE AND CONNECTOR ARE DESIGNED TO WORK WITH MODULES COMPLIANT TO THE QSFP DOUBLE DENSITY MSA HARDWARE SPECIFICATION.



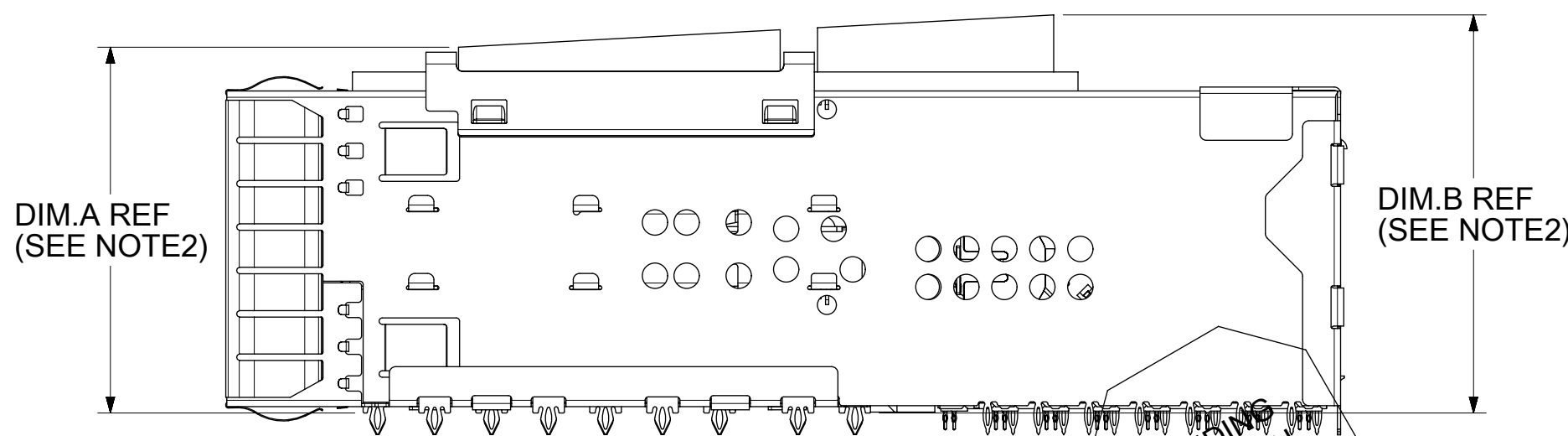
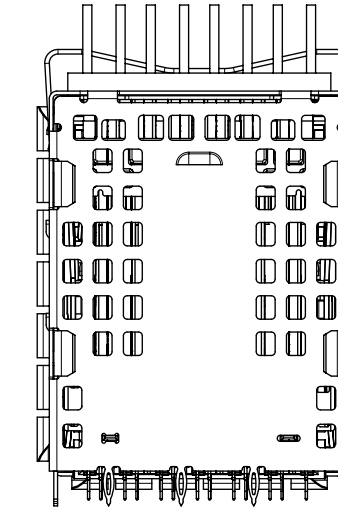
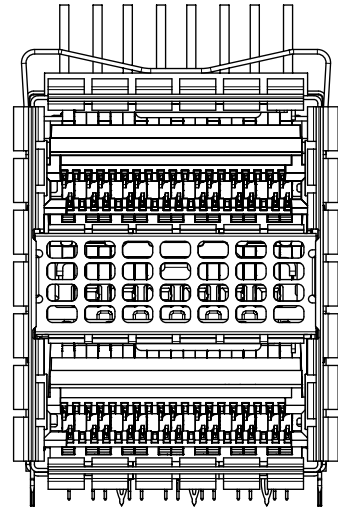
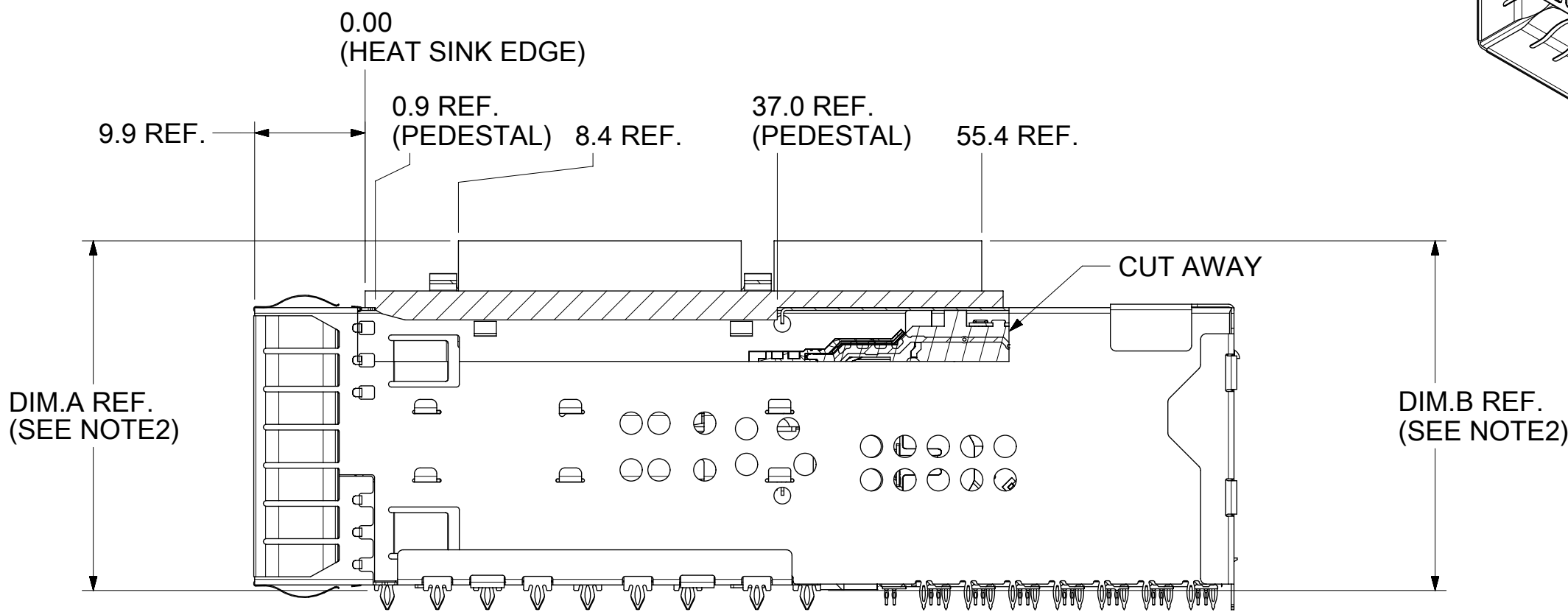
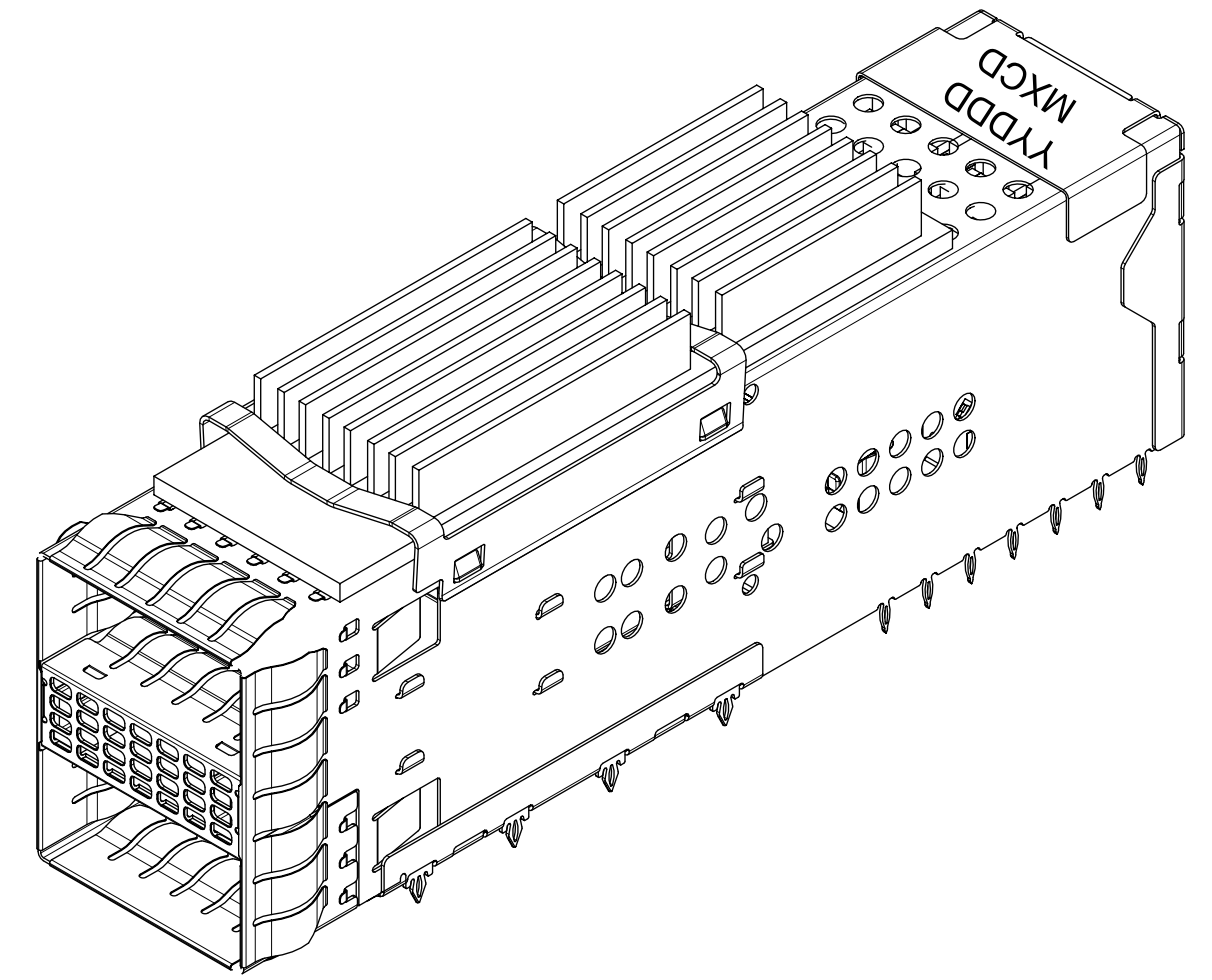
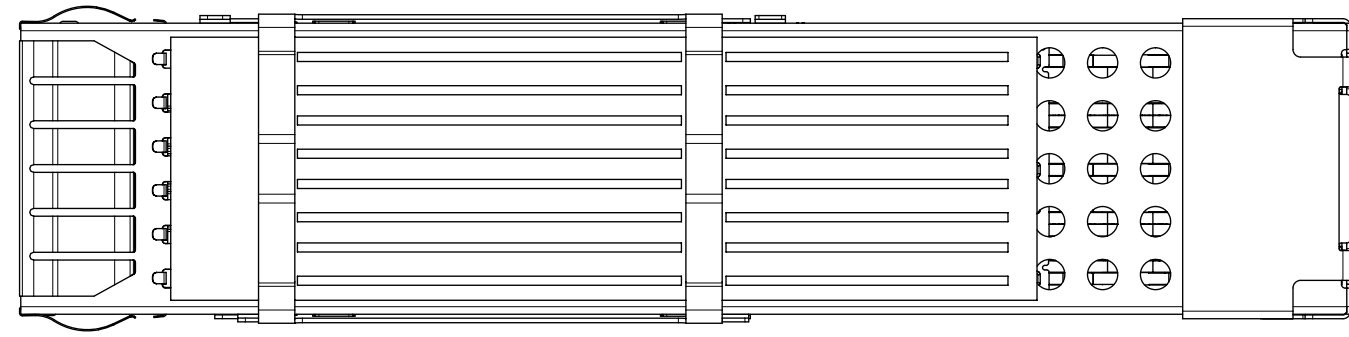
1.33 REF SIGNAL TAILS
 PENDING APPROVAL

PART NUMBER	DESCRIPTION	SHEET
2040586101	FLAT TOP EXTERNAL HEAT SINK	2
2040586102	ANGLED TOP EXTERNAL HEAT SINK	2
2040586103	NO HEAT EXTERNAL HEAT SINK	1

FUNCTIONAL SYMBOLS $\nabla_A = 0$ $\nabla_E = 0$ $\nabla_P = 0$	THIS DRAWING CONTAINS INFORMATION THAT IS PROPRIETARY TO MOLEX ELECTRONIC TECHNOLOGIES, LLC AND SHOULD NOT BE USED WITHOUT WRITTEN PERMISSION	SCALE: 1.5:1	CURRENT REV DESC:	
	DIMENSION UNITS: mm	GENERAL TOLERANCES (UNLESS SPECIFIED)	EC NO: 667652	
	ANGULAR TOL: $\pm 2.0^\circ$	4 PLACES \pm	DRWN: SSU09	2020/04/10
	DIVISIONAL SYMBOLS	3 PLACES \pm	CHK'D:	
	2 PLACES ± 0.13	APPR:		
	1 PLACE ± 0.25	INITIAL REVISION:		
	0 PLACES \pm	DRWN: MHANUMAPPARE	2017/08/30	
		APPR: SMILLER	2018/02/07	
DRAFT WHERE APPLICABLE MUST REMAIN WITHIN DIMENSIONS	THIRD ANGLE PROJECTION	DRAWING: C-SIZE	SERIES: 204058	DOCUMENT NUMBER: 2040586103
				DOC TYPE: PSD
				DOC PART: ASY
				REVISION: A4
			MATERIAL NUMBER: GENERAL MARKET	SHEET NUMBER: 1 OF 9

DOCUMENT STATUS	RQ	RELEASE DATE
-----------------	----	--------------

2040586101 SHOWN



2040586102 SHOWN

NOTE:

- REFER TO SHEET 1 FOR OTHER DIMENSIONS.
- HEIGHT OF HEAT SINK WITH MODULE INSERTED DIMENSION MAY BE LESS DUE TO MODULE AND HEAT SINK VARIATIONS
- DIMENSIONS OF 2040586102 IS THE SAME AS 2040586101, EXCEPT DIM.A AND DIM.B.
- REFER TO SHEET1 FOR COMMON DIMENSIONS.

PENDING APPROVAL

PN	DIM.A	DIM.B
2040586101	32.5 REF	32.5 REF
2040586102	30 REF	32.5 REF

FUNCTIONAL SYMBOLS FA = 0 FE = 0 FP = 0	THIS DRAWING CONTAINS INFORMATION THAT IS PROPRIETARY TO MOLEX ELECTRONIC TECHNOLOGIES, LLC AND SHOULD NOT BE USED WITHOUT WRITTEN PERMISSION		CURRENT REV DESC:	
	DIMENSION UNITS mm	SCALE 2:1	EC NO: 667652 DRWN: SSU09 2020/04/10	
DIVISIONAL SYMBOLS	GENERAL TOLERANCES (UNLESS SPECIFIED)		INITIAL REVISION:	
	ANGULAR TOL ± 2.0°		DRWN: MHANUMAPPARE 2017/08/30	
4 PLACES ±		CHK'D:		
3 PLACES ±		APPR:		
2 PLACES ± 0.13		APPR: SMILLER		
1 PLACE ± 0.25		2018/02/07		
0 PLACES ±		THIRD ANGLE PROJECTION		
DRAFT WHERE APPLICABLE MUST REMAIN WITHIN DIMENSIONS		DRAWING C-SIZE	SERIES 204058	DOCUMENT NUMBER 2040586103
		MATERIAL NUMBER CUSTOMER GENERAL MARKET		DOC TYPE PSD
		SHEET NUMBER 2 OF 9		DOC PART ASY
				REVISION A4

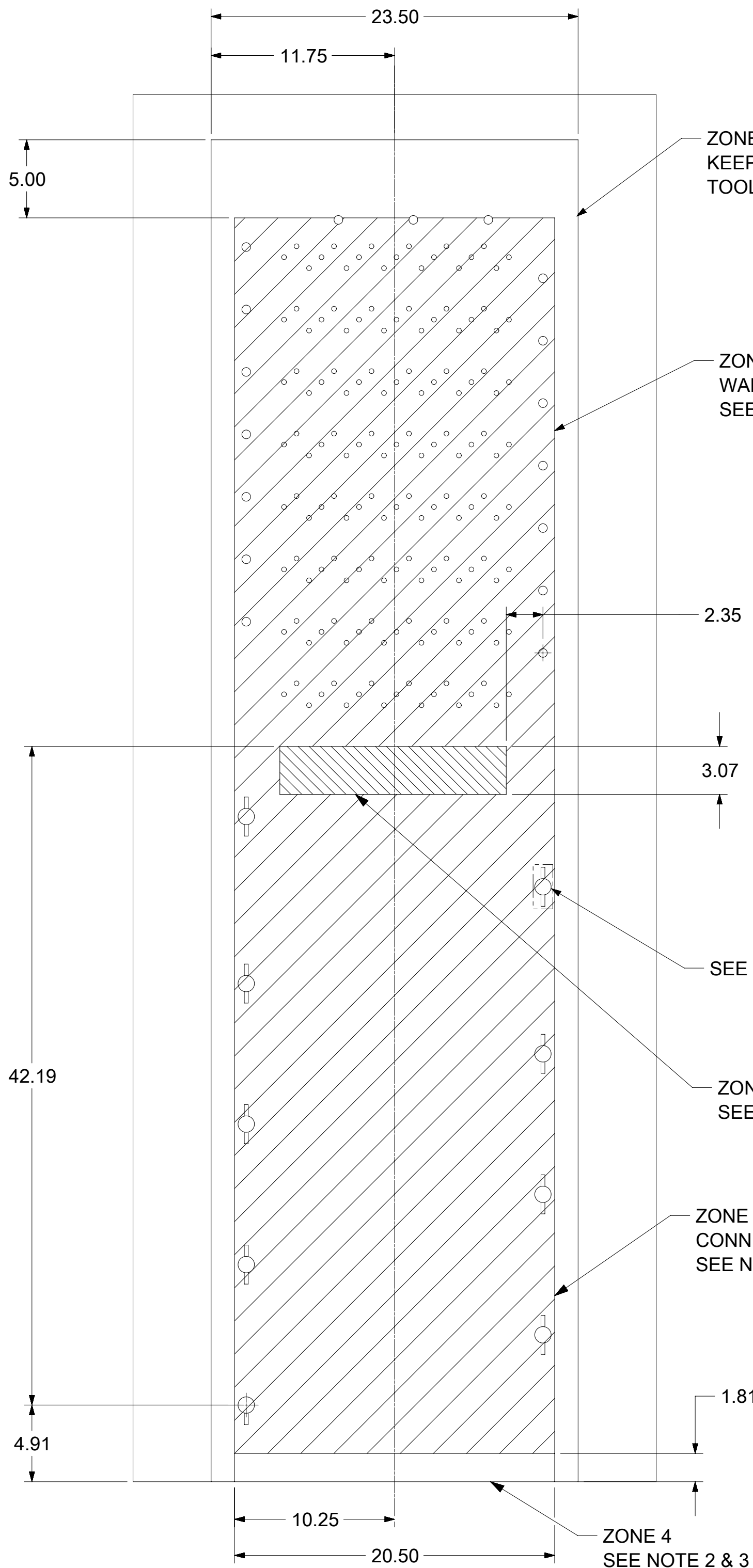
molex

QSFP-DD 2X1
CONNECTOR ASSEMBLY

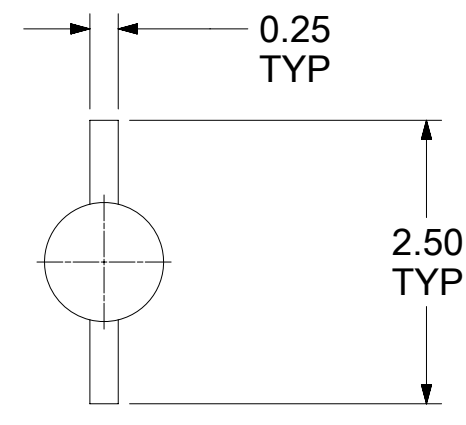
PRODUCT CUSTOMER DRAWING

DOCUMENT STATUS	RQ	RELEASE DATE
-----------------	----	--------------

12	11	10	9	8	7	6	5	4	3	2	1
----	----	----	---	---	---	---	---	---	---	---	---



1. THIS AREA TO BE CONSIDERED A KEEP OUT AREA FOR COMPONENTS.
2. THE ENTIRE AREA UNDER THE CONNECTOR IS TO BE CONSIDERED A KEEP-OUT AREA FOR COMPONENTS.
3. HATCHED AREAS REPRESENT ZONES ON THE PCB THAT COME IN CONTACT WITH OR BE IN CLOSE PROXIMITY TO THE PLASTIC HOUSING OR THE CONNECTOR CAGE. INDICATED AREAS TO BE CONSIDERED TRACE FREE.

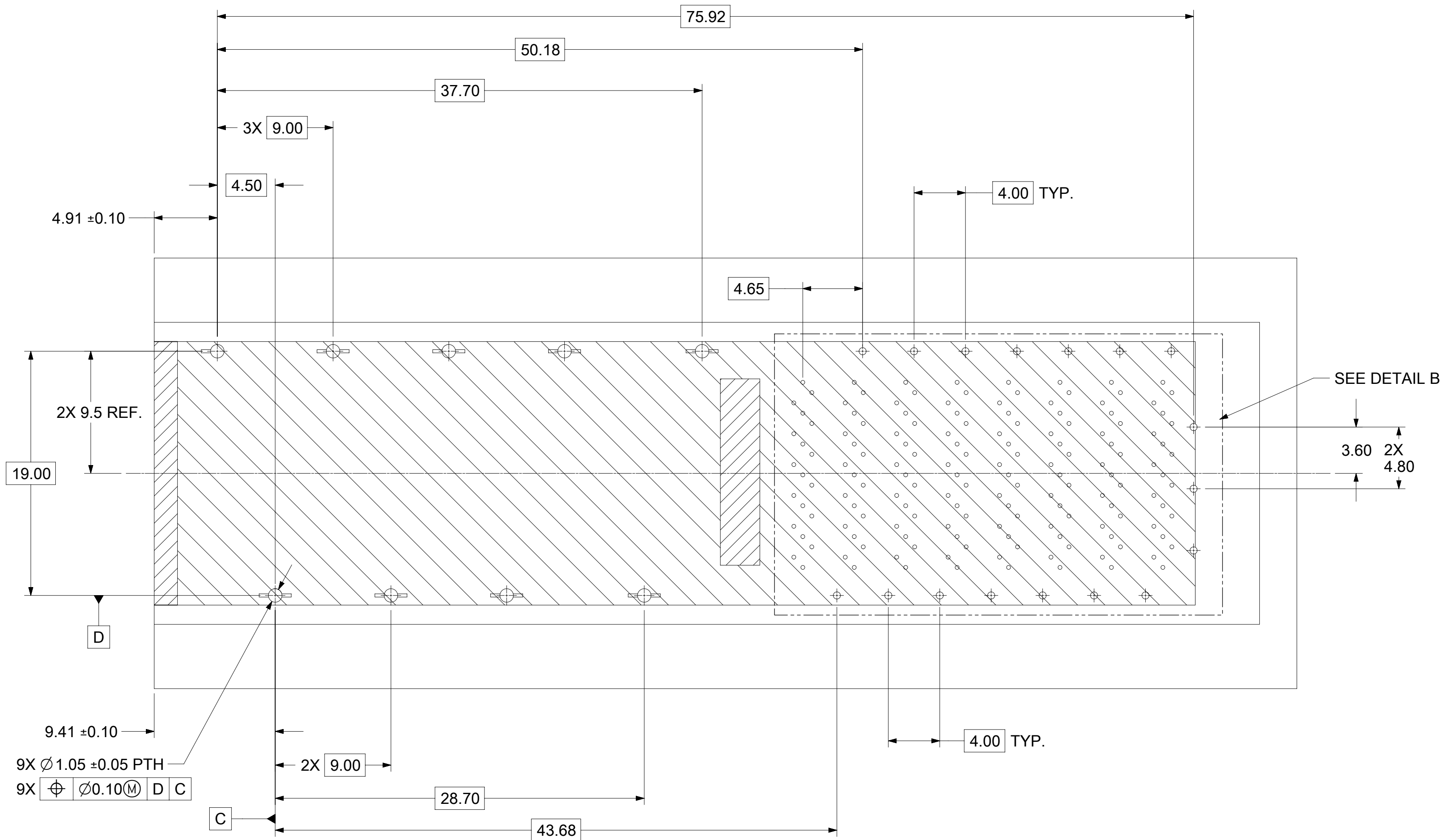


DETAIL C
SCALE 15:1

PENDING APPROVAL

FUNCTIONAL SYMBOLS		THIS DRAWING CONTAINS INFORMATION THAT IS PROPRIETARY TO MOLEX ELECTRONIC TECHNOLOGIES, LLC AND SHOULD NOT BE USED WITHOUT WRITTEN PERMISSION		CURRENT REV DESC:		molex	
$\frac{F}{A} = 0$	mm	SCALE	4:1	EC NO: 667652			
$\frac{E}{C} = 0$	GENERAL TOLERANCES (UNLESS SPECIFIED)			DRWN: SSU09		2020/04/10	
$\frac{E}{P} = 0$	ANGULAR TOL $\pm 2.0^\circ$			CHK'D:		PRODUCT CUSTOMER DRAWING	
DIVISIONAL SYMBOLS		4 PLACES \pm		APPR:		DOCUMENT NUMBER	
		3 PLACES \pm		INITIAL REVISION:		2040586103	
		2 PLACES ± 0.13		DRWN: MHANUMAPPARE		PSD ASY A4	
		1 PLACE ± 0.25		2017/08/30		DOC TYPE DOC PART REVISION	
		0 PLACES \pm		2018/02/07		MATERIAL NUMBER CUSTOMER SHEET NUMBER	
DRAFT WHERE APPLICABLE MUST REMAIN WITHIN DIMENSIONS		THIRD ANGLE PROJECTION		DRAWING C-SIZE		SERIES 204058	
						GENERAL MARKET 4 OF 9	

DOCUMENT STATUS	RQ	RELEASE DATE								



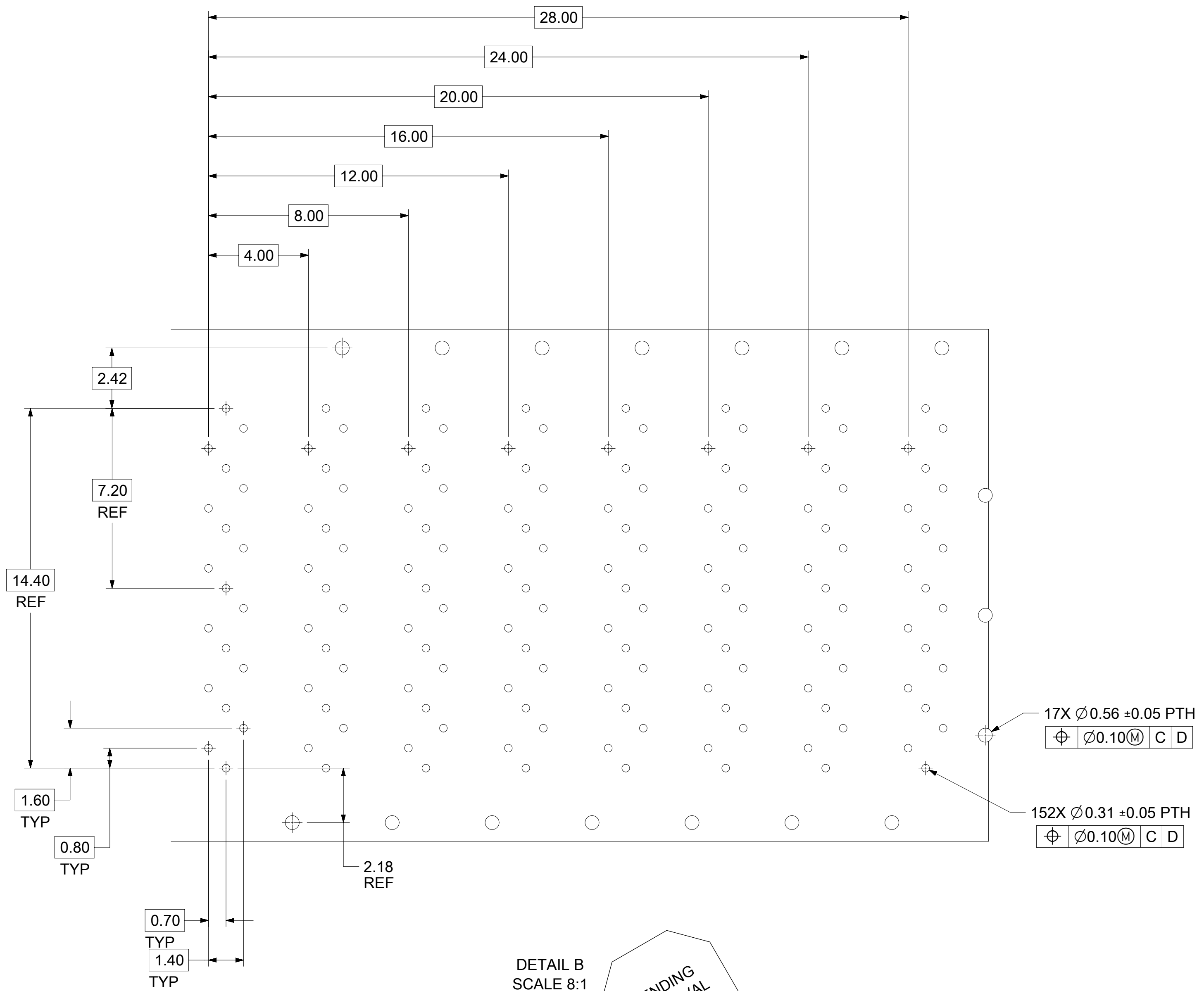
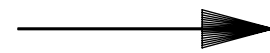
PENDING APPROVAL

NOTES:

- PIN NUMBERS ARE PER THE STANDARD. BOTH PORTS ARE IN THE SAME (UP-UP) MODULE ORIENTATION.
- THE 17 HOLES AROUND THE PIN FIELD ARE FOR OPTIONAL GROUND PINS.
- RECOMMENDED ANNULAR RING SIZE AROUND THE $\varnothing 0.31$ FINISHED PTH IS $\varnothing 0.66$.
- RECOMMENDED DRILL SIZE FOR THE $0.31\varnothing$ PTH IS 0.4 DRILL.

FUNCTIONAL SYMBOLS $\overline{A} = 0$ $\overline{C} = 0$ $\overline{P} = 0$ DIVISIONAL SYMBOLS	THIS DRAWING CONTAINS INFORMATION THAT IS PROPRIETARY TO MOLEX ELECTRONIC TECHNOLOGIES, LLC AND SHOULD NOT BE USED WITHOUT WRITTEN PERMISSION		CURRENT REV DESC:		
	DIMENSION UNITS	SCALE	EC NO: 667652		
	mm	4:1	DRWN: SSU09	2020/04/10	
	GENERAL TOLERANCES (UNLESS SPECIFIED)		CHK'D:		
ANGULAR TOL $\pm 2.0^\circ$		APPR:			
4 PLACES \pm		INITIAL REVISION:			
3 PLACES \pm		DRWN: MHANUMAPPARE	2017/08/30		
2 PLACES ± 0.13		APPR: SMILLER	2018/02/07		
1 PLACE ± 0.25		THIRD ANGLE PROJECTION			
0 PLACES \pm		DRAFT WHERE APPLICABLE MUST REMAIN WITHIN DIMENSIONS	DRAWING SERIES		
		C-SIZE	204058		
DOCUMENT STATUS		DOCUMENT NUMBER	DOC TYPE	DOC PART	REVISION
RQ	RELEASE DATE	2040586103	PSD	ASY	A4
		MATERIAL NUMBER	CUSTOMER	SHEET NUMBER	
		GENERAL MARKET		5 OF 9	

MODULE INSERTION
DIRECTION

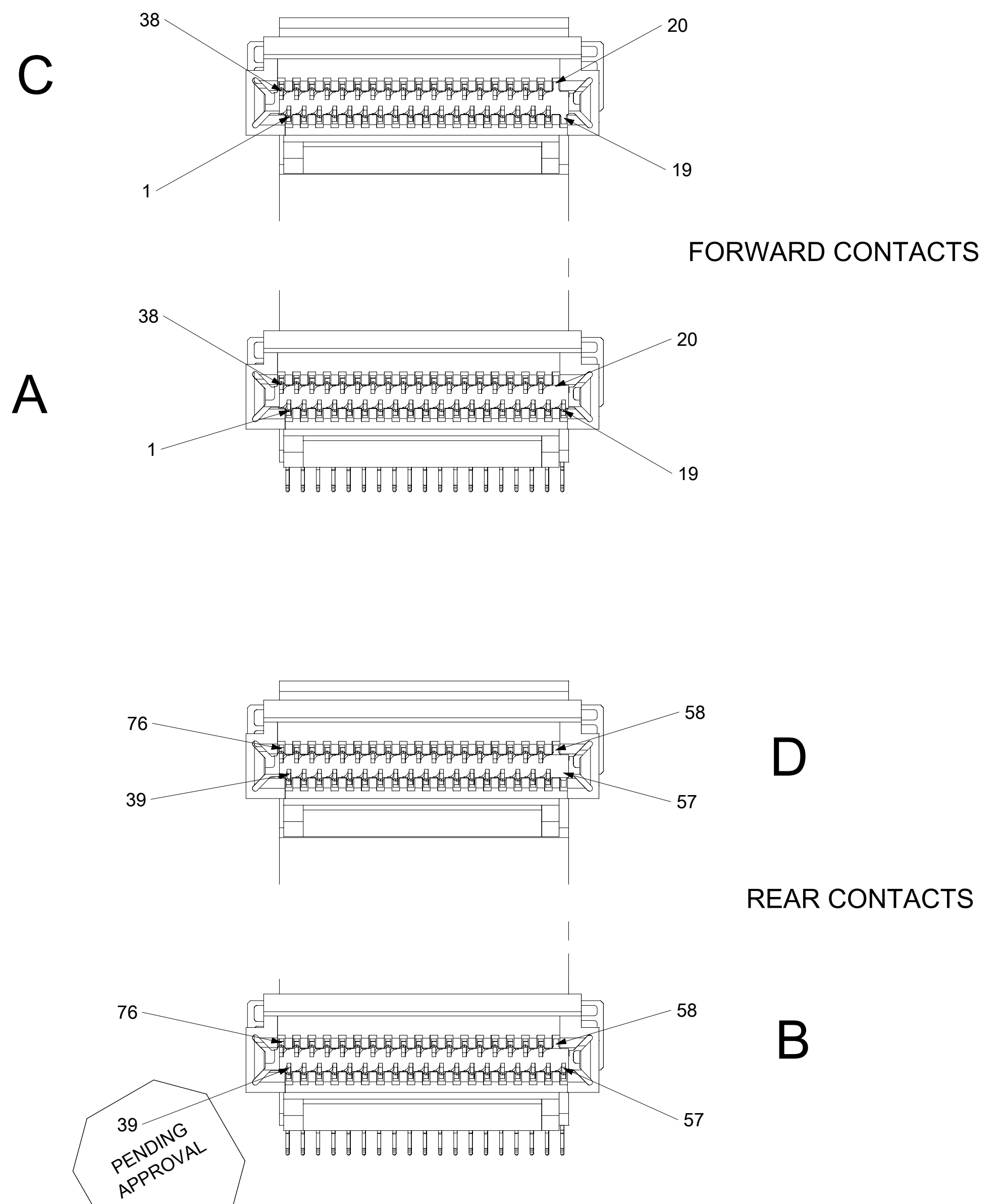
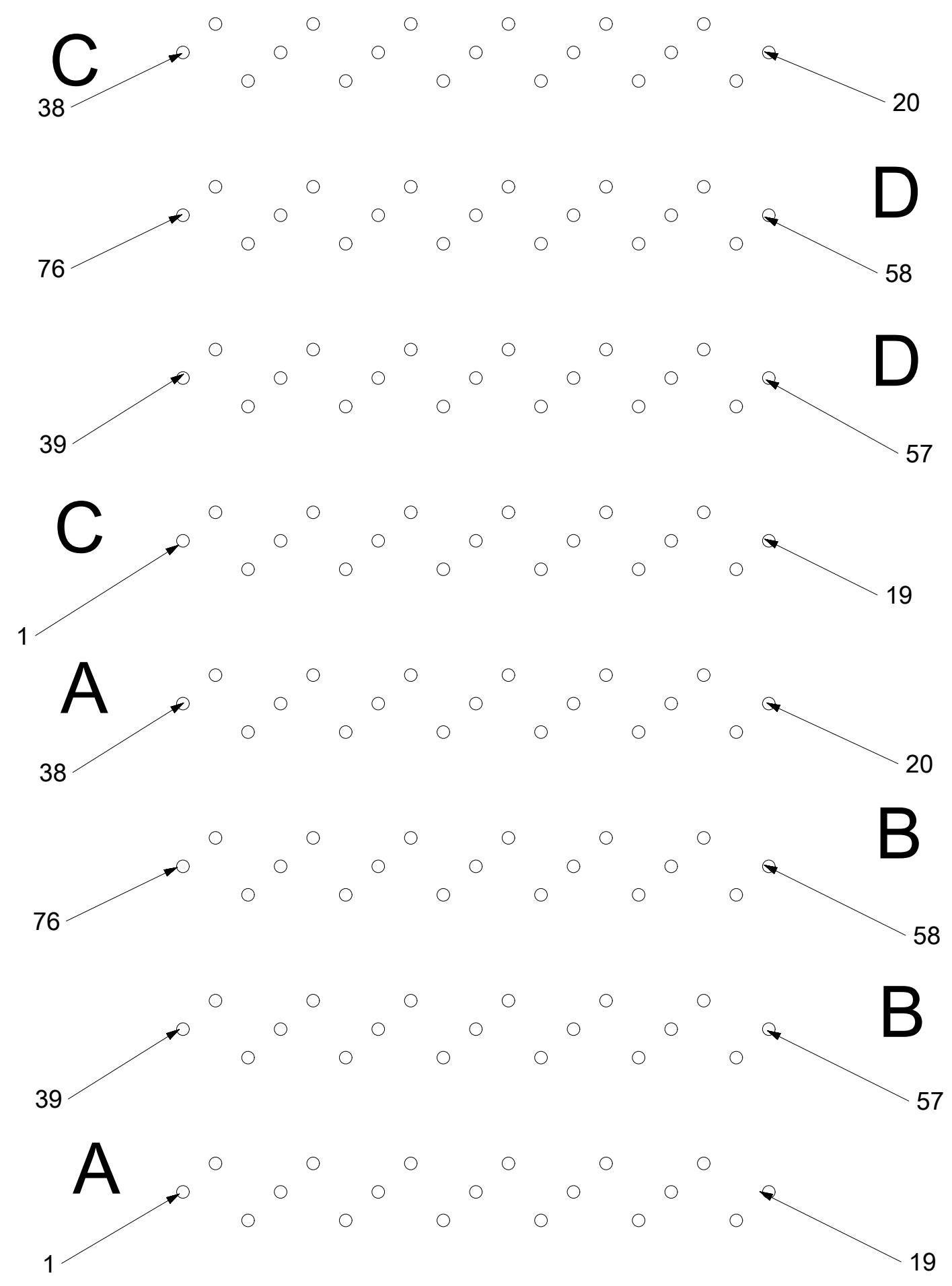


DETAIL B
SCALE 8:1

PENDING
APPROVAL

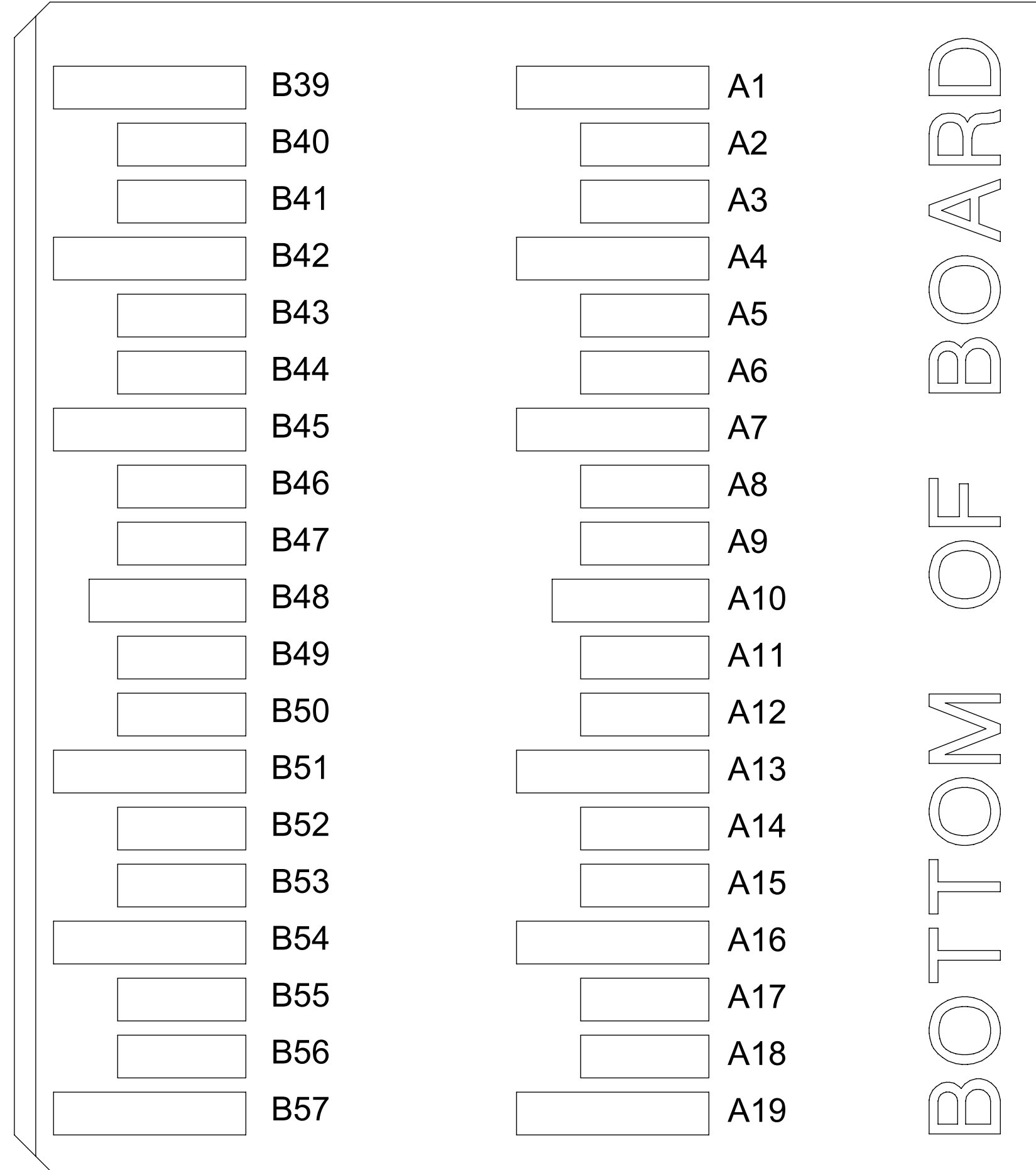
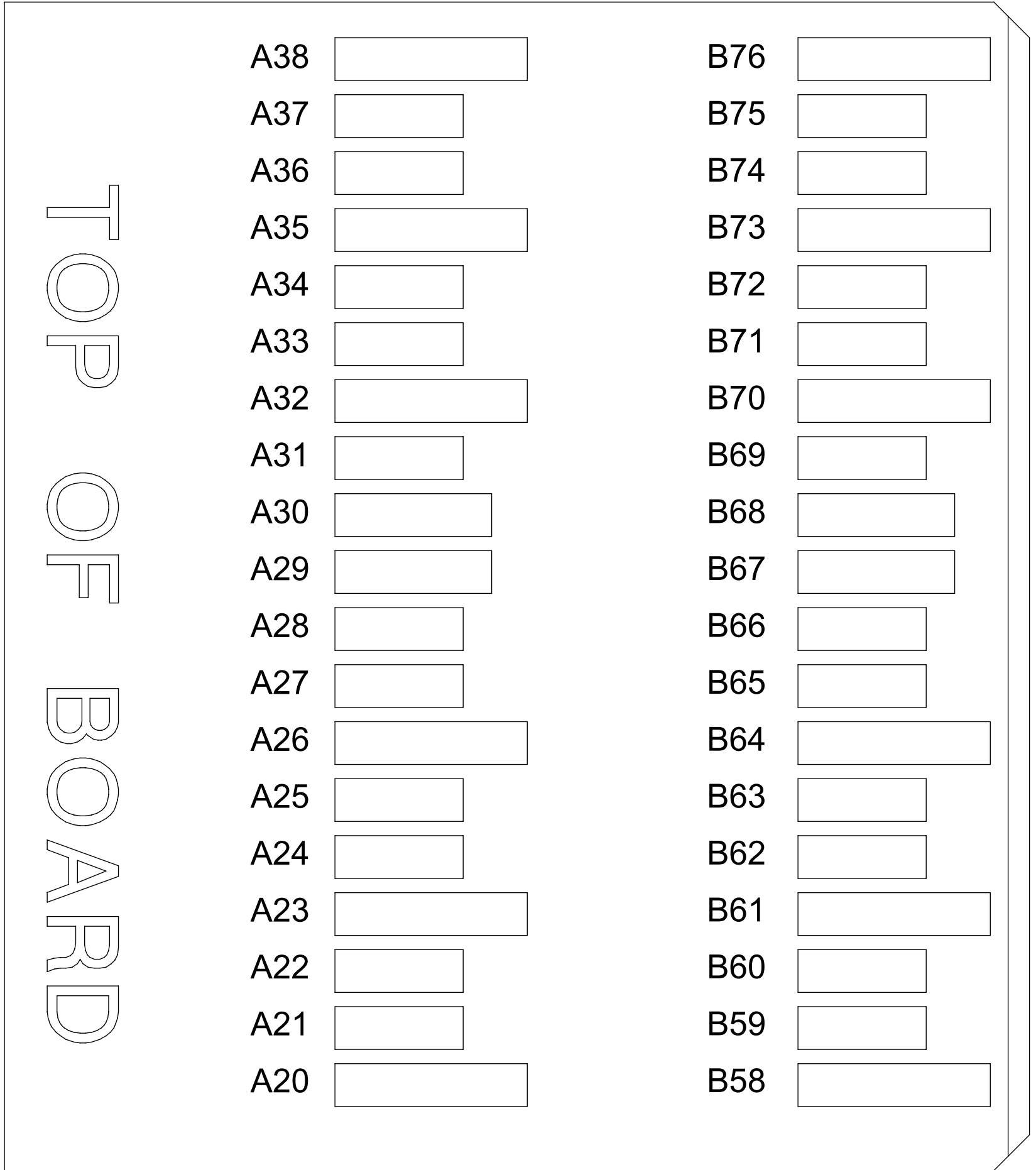
FUNCTIONAL SYMBOLS $\nabla_A = 0$ $\nabla_C = 0$ $\nabla_P = 0$ DIVISIONAL SYMBOLS 3 PLACES ± 2 PLACES ± 0.13 1 PLACE ± 0.25 0 PLACES ±	THIS DRAWING CONTAINS INFORMATION THAT IS PROPRIETARY TO MOLEX ELECTRONIC TECHNOLOGIES, LLC AND SHOULD NOT BE USED WITHOUT WRITTEN PERMISSION		CURRENT REV DESC:		molex QSFP-DD 2X1 CONNECTOR ASSEMBLY PRODUCT CUSTOMER DRAWING		
	DIMENSION UNITS	SCALE	EC NO: 667652				
	mm	8:1	DRWN: SSU09 2020/04/10				
	GENERAL TOLERANCES (UNLESS SPECIFIED)		CHK'D:				
ANGULAR TOL ± 2.0°		APPR:		DOCUMENT NUMBER	DOC TYPE	DOC PART	REVISION
4 PLACES ±		INITIAL REVISION:		2040586103	PSD	ASY	A4
3 PLACES ±		DRWN: MHANUMAPPARE 2017/08/30		MATERIAL NUMBER	CUSTOMER		SHEET NUMBER
2 PLACES ± 0.13		APPR: SMILLER 2018/02/07		204058	GENERAL MARKET		6 OF 9
1 PLACE ± 0.25		THIRD ANGLE PROJECTION		DRAWING		SERIES	
0 PLACES ±				C-SIZE		204058	
DRAFT WHERE APPLICABLE MUST REMAIN WITHIN DIMENSIONS							

DOCUMENT STATUS	RQ	RELEASE DATE	
-----------------	----	--------------	--



FUNCTIONAL SYMBOLS	THIS DRAWING CONTAINS INFORMATION THAT IS PROPRIETARY TO MOLEX ELECTRONIC TECHNOLOGIES, LLC AND SHOULD NOT BE USED WITHOUT WRITTEN PERMISSION		CURRENT REV DESC:		molex		
	DIMENSION UNITS	SCALE					
$\frac{F}{A} = 0$	mm	1:1	EC NO: 667652 DRWN: SSU09 2020/04/10		QSFP-DD 2X1 CONNECTOR ASSEMBLY		
$\frac{E}{C} = 0$	GENERAL TOLERANCES (UNLESS SPECIFIED)						
$\frac{E}{P} = 0$	ANGULAR TOL $\pm 2.0^\circ$		INITIAL REVISION: DRWN: MHANUMAPPARE 2017/08/30 APPR: SMILLER 2018/02/07		PRODUCT CUSTOMER DRAWING		
DIVISIONAL SYMBOLS	4 PLACES \pm	3 PLACES \pm			DOCUMENT NUMBER		DOC TYPE
	2 PLACES ± 0.13	1 PLACE ± 0.25	2040586103		PSD	ASY	A4
	0 PLACES \pm		MATERIAL NUMBER		CUSTOMER		SHEET NUMBER
	DRAFT WHERE APPLICABLE MUST REMAIN WITHIN DIMENSIONS		THIRD ANGLE PROJECTION	DRAWING	SERIES	GENERAL MARKET	
				C-SIZE	204058	7 OF 9	

DOCUMENT STATUS	RQ	RELEASE DATE	
-----------------	----	--------------	--



PENDING APPROVAL

FUNCTIONAL SYMBOLS $\nabla_A = 0$ $\nabla_C = 0$ $\nabla_P = 0$	THIS DRAWING CONTAINS INFORMATION THAT IS PROPRIETARY TO MOLEX ELECTRONIC TECHNOLOGIES, LLC AND SHOULD NOT BE USED WITHOUT WRITTEN PERMISSION			
	DIMENSION UNITS mm	SCALE 1:1	CURRENT REV DESC:	
	GENERAL TOLERANCES (UNLESS SPECIFIED) ANGULAR TOL $\pm 2.0^\circ$		EC NO: 667652 DRWN: SSU09 2020/04/10	 QSFP-DD 2X1 CONNECTOR ASSEMBLY PRODUCT CUSTOMER DRAWING
	DIVISIONAL SYMBOLS 4 PLACES \pm 3 PLACES \pm 2 PLACES ± 0.13 1 PLACE ± 0.25 0 PLACES \pm		INITIAL REVISION: DRWN: MHANUMAPPARE 2017/08/30 APPR: SMILLER 2018/02/07	
DRAFT WHERE APPLICABLE MUST REMAIN WITHIN DIMENSIONS		THIRD ANGLE PROJECTION 	DRAWING SERIES C-SIZE 204058	MATERIAL NUMBER CUSTOMER GENERAL MARKET
DOCUMENT STATUS RQ RELEASE DATE		SHEET NUMBER 8 OF 9		DOC TYPE DOC PART REVISION PSD ASY A4

REV	DATE	DESCRIPTION
A	2017/12/06	INITIAL RELEASE. DATE CODE ON BACK COVER
A1	2018/02/08	RELEASED AS GENERAL MARKET DRAWING
A2	2018/03/05	UPDATED DATE CODE CALLOUT IN THE NOTES
A3	2018/8/13	ADDED CUSTOMER REQUESTED DIMS
A4	2020/04/10	CORRECT TYPE ERROR . NO PRODUCT CHANGE. 1.SHEET 1/H5: CORRECT PLATE SPEC: H2 CORRECT MIN NICKEL FROM 2.5 TO 3.8, H3 CORRECT MATTE TIN FROM 1.52 TO 3.0, H2 CORRECT MIN NICKEL FROM 1.27 TO 1.3. 2.SHEET 1/B5: CORRECT CAGE TAIL LENGTH FROM 2.0 TO 1.7. 3.SHEET 3/F1:CORRECT SUGGESTED PCBTHICKNESS FROM 1.53 TO 1.57. 4.UPDATED VIEWS IN SHEET 4 AND UPDATED NOTES @ SHEET 4/ H4

PENDING APPROVAL

FUNCTIONAL SYMBOLS		THIS DRAWING CONTAINS INFORMATION THAT IS PROPRIETARY TO MOLEX ELECTRONIC TECHNOLOGIES, LLC AND SHOULD NOT BE USED WITHOUT WRITTEN PERMISSION																			
DIMENSION UNITS		SCALE		CURRENT REV DESC:																	
mm		1:1		EC NO: 667652 DRWN: SSU09 2020/04/10 CHK'D: APPR: INITIAL REVISION: DRWN: MHANUMAPPARE 2017/08/30 APPR: SMILLER 2018/02/07																	
GENERAL TOLERANCES (UNLESS SPECIFIED)		ANGULAR TOL ± 2.0°																			
4 PLACES ±		3 PLACES ±																			
DIVISIONAL SYMBOLS		2 PLACES ± 0.13		1 PLACE ± 0.25		0 PLACES ±		DRAFT WHERE APPLICABLE MUST REMAIN WITHIN DIMENSIONS		THIRD ANGLE PROJECTION		DRAWING		SERIES		MATERIAL NUMBER		CUSTOMER		SHEET NUMBER	
E/A = 0		E/C = 0		E/P = 0		C-SIZE		204058		204058103		GENERAL MARKET		9 OF 9							
PRODUCT CUSTOMER DRAWING		DOCUMENT NUMBER		DOC TYPE		DOC PART		REVISION		PSD		ASY		A4							

molex

QSFP-DD 2X1
CONNECTOR ASSEMBLY