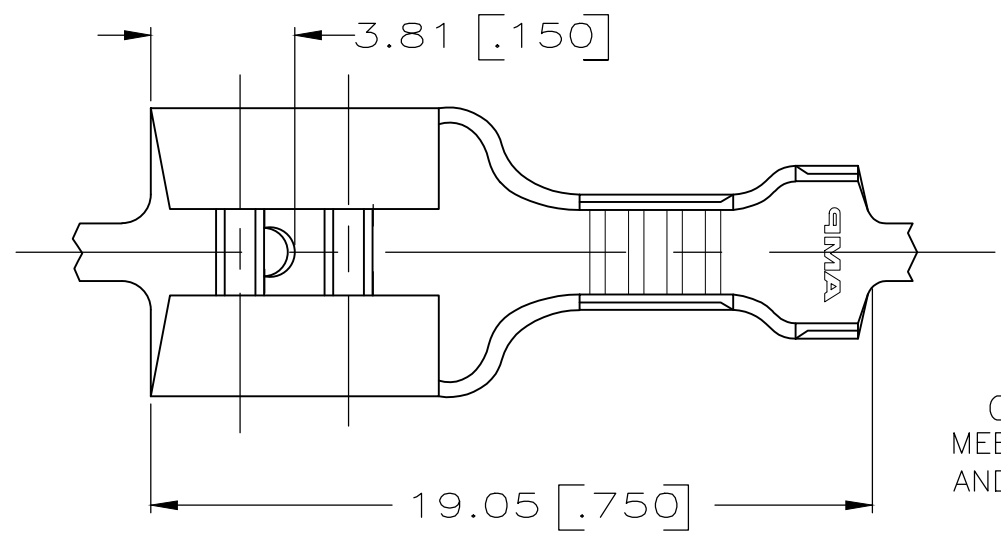


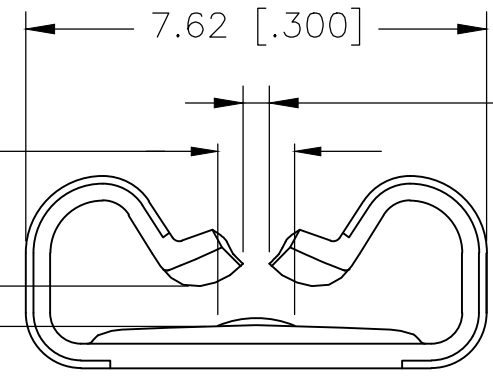
THIS DRAWING IS UNPUBLISHED. RELEASED FOR PUBLICATION  
 © COPYRIGHT - By - ALL RIGHTS RESERVED.

P	LTR	DESCRIPTION	DATE	DWN	APVD
	B	REVISED PER ECR-17-009459	10JUL2017	BW	MD
	B1	REVISED PER ECR-20-009164	16JUL2020	MK	DH

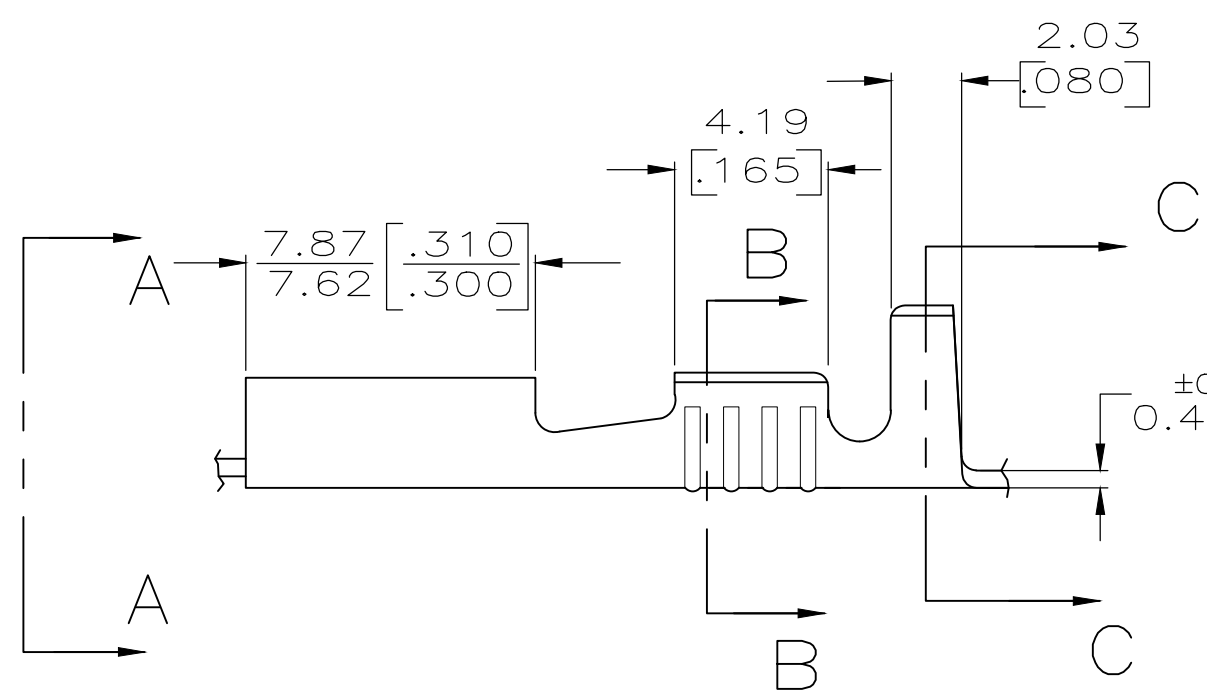


$\frac{1.52}{1.27}$   $\frac{.060}{.050}$

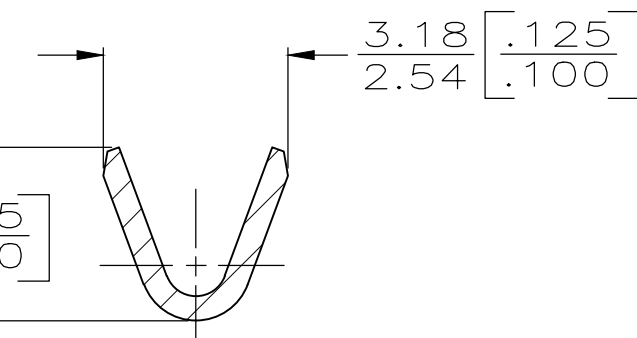
GAP AS REQUIRED TO MEET FORCE SPECIFICATIONS AND 0.71 [.028] MAX



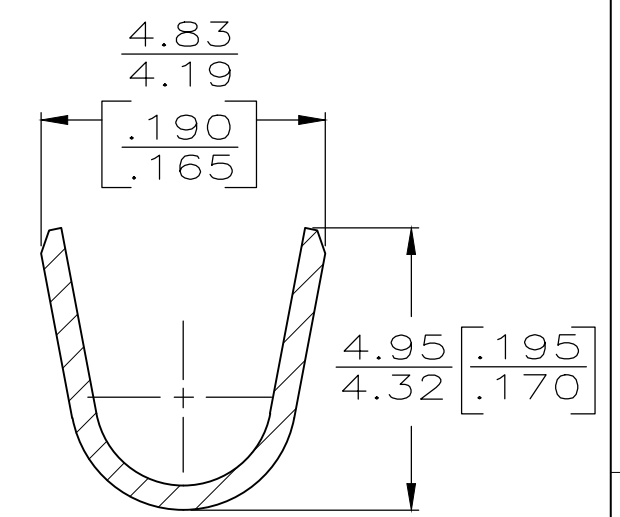
VIEW A-A  
SCALE 8:1



$\frac{3.18}{2.54}$   $\frac{.125}{.100}$



SECTION B-B  
SCALE 8:1



SECTION C-C  
SCALE 8:1

1 THIS PRODUCT HAS NOT COMPLETED QUALIFICATION OR UL TESTING

$\triangle 2$  MEASURED BEHIND "DOGBONE LEAD-IN" LEAD-IN SPRINGS MAY NOT TOUCH

2.29-3.30 [.090-.130]	0.3-0.8mm <sup>2</sup> [22-18]	0.84-0.76 [.033-.030]	2238143-1
INSUL RANGE	WIRE SIZE	MATING TAB THK	PART NO

THIS DRAWING IS A CONTROLLED DOCUMENT.		DWN R.SMITH 04NOV2016	<b>STE</b> TE Connectivity	
DIMENSIONS: mm [INCHES]		CHK M.DIDONATO 04NOV2016		
TOLERANCES UNLESS OTHERWISE SPECIFIED:		APVD M.DIDONATO 04NOV2016	NAME RECEPTACLE, FASTON™ .250 SERIES	
0 PLC ± -		PRODUCT SPEC -	APPLICATION SPEC -	
1 PLC ± -		114-2036	SIZE A3	CAGE CODE 00779
2 PLC ± -		WEIGHT 0.000000	DRAWING NO C-2238143	RESTRICTED TO -
3 PLC ± 0.25 [.010]		CUSTOMER DRAWING	SCALE 5:1	SHEET 1 OF 1
4 PLC ± -				REV B1
ANGLES ± -				
FINISH NICKEL				
MATERIAL STEEL				