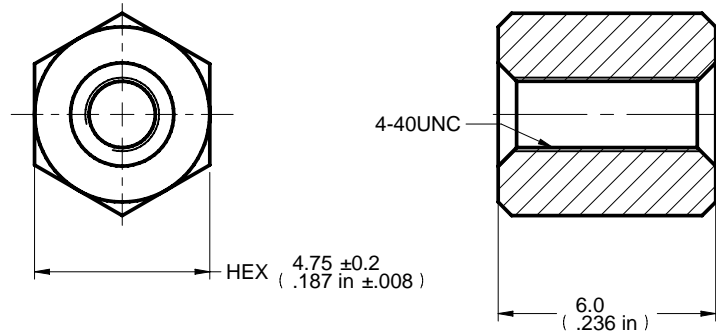



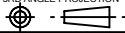


Description: Hex Standoff, .240"/.195"
 Part No: 40-98443N/ -C
 Application: D-Sub Hardware
 Crimp Tool: N/A
 Impedance: N/A
 Frequency Range: N/A
 Material: Nut Brass Nickel Plated
 RoHS Compliance: N/A
 Technical Detail: N/A



DIM OUTLINE

40-98443N-C	HEX STANDOFF .240"/.195"(50SET)
40-98443N	HEX STANDOFF, .240"/.195"(1SET)

 <small>This PROPRIETARY Document is property of Emerson Network Power, Connectivity Solutions. It is confidential in nature, non-transferable, and issued with the clear understanding that it is not to be copied, without permission and is returnable upon demand.</small> <small>INTERPRET DRAWING IN ACCORDANCE WITH ASME Y14.5-2009</small>	<small>3RD ANGLE PROJECTION</small> 	AIM-Cambridge	
	RoHS <input checked="" type="checkbox"/> 2002/95/EC	<small>Title:</small> HEX STANDOFF, .240"/.195"	
<small>UNLESS OTHERWISE SPECIFIED UNITS: METRIC</small> X ±0.5 X.X ±0.2 X.XX ±0.1 ANGLES ±1'00"	<small>Model No.</small> 40-98443N(-C)		
<small>Size</small> A	<small>DO NOT SCALE DRAWING</small>	<small>Date:</small> 10/17/2018	Sheet 2 of 2