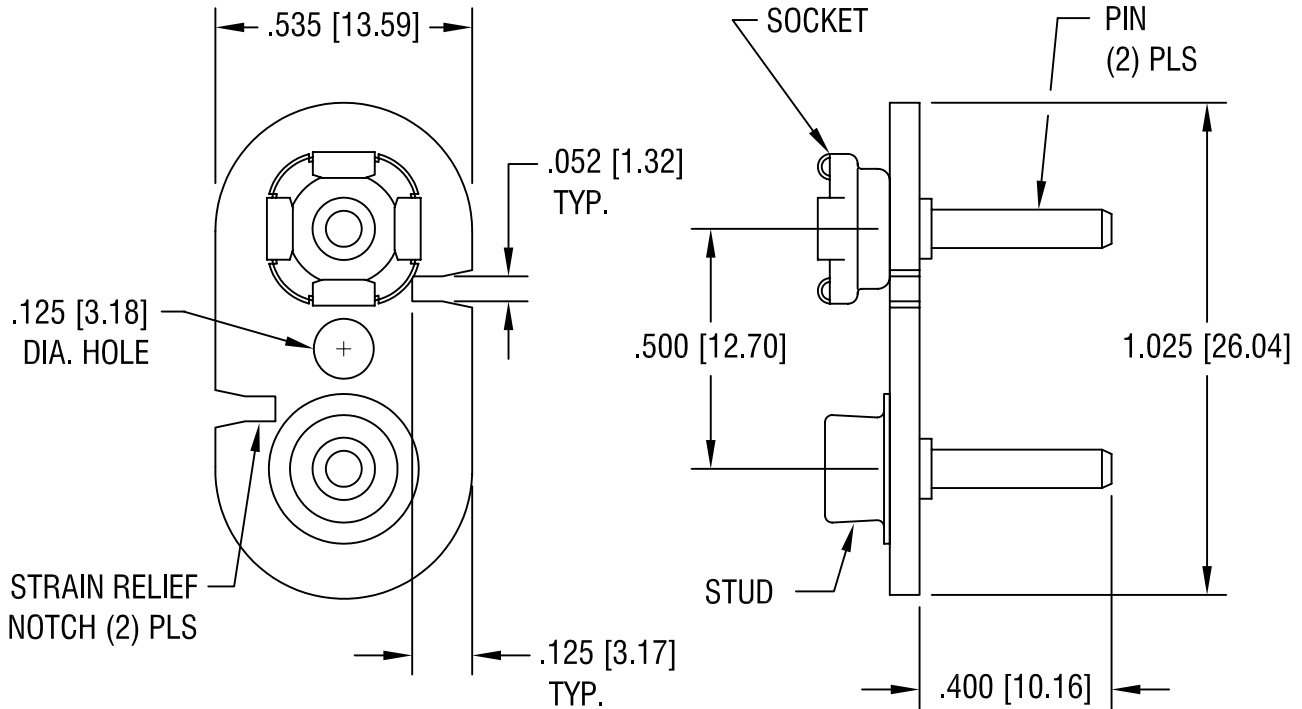
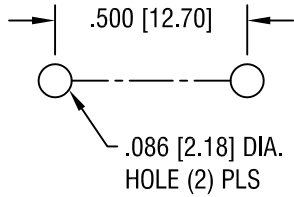


THIS DOCUMENT IS THE PROPERTY OF
KEYSTONE ELECTRONICS CORP. AND
SHALL NOT BE REPRODUCED, DISTRIBUTED
OR USED AS A BASIS FOR MANUFACTURE
WITHOUT PRIOR WRITTEN PERMISSION
FROM KEYSTONE ELECTRONICS CORP.

MOUNTING DETAIL



NOTES:

1. BASE: MAT'L - .062 [1.57] TH'K FIBRE
CONTACT: MAT'L - STEEL, NICKEL PLATE
PIN: MAT'L - .080 [2.03] DIA. BRASS, TIN PLATE

KEYSTONE ELECTRONICS CORP.

ASTORIA, N.Y. 11105-2017

PART NAME

9V PC BATTERY CONNECTOR

MATERIAL

AS NOTED

FINISH

AS NOTED

DRN BY

BOONE

DATE

5.20.96

APP'D

LN

SCALE

2.5X

10.17.06

CHANGE AS PER ECN 06-067

B

TOLERANCES

INCH [MM]

CODE

DWG NO.

DECIMAL $\pm .010$ [± 0.25]

C

ANGULAR $\pm 1^\circ$
UNLESS OTHERWISE SPECIFIED

968

DATE

DESCRIPTION

REV.