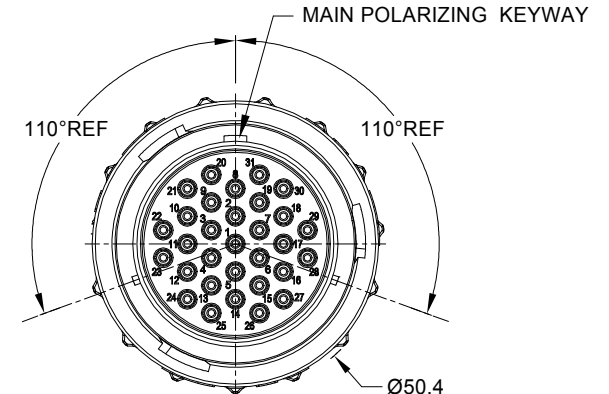
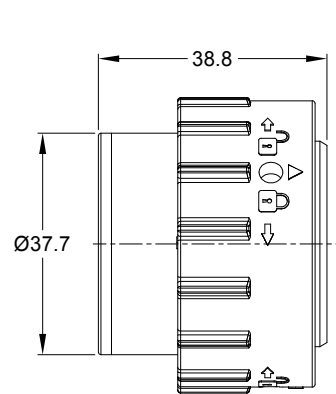
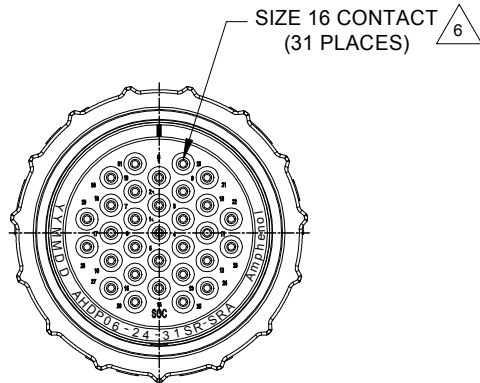


| REVISIONS | | | | | |
|-----------|-----|---------------------|---------|-----|-------|
| REV | ECO | DESCRIPTION | DATE | BY | APPR |
| A1 | - | RELEASE NEW DRAWING | 18MAY20 | IAN | TOMMY |
| A2 | - | MODIFY PRODUCT NAME | 11AUG20 | IAN | TOMMY |

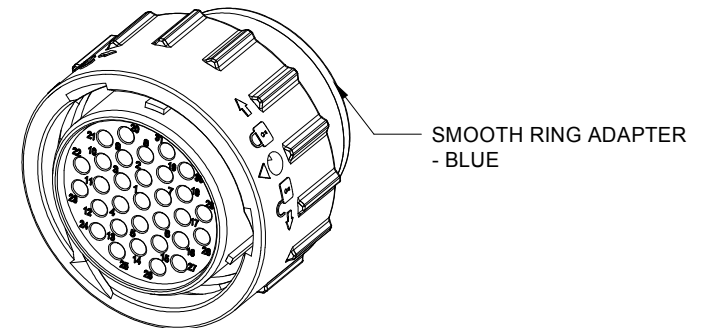


NOTES: UNLESS OTHERWISE SPECIFIED

- MATERIAL:
HOUSING: THERMOPLASTIC; BLACK
SEAL: SILICONE RUBBER
- MODIFICATIONS: SMOOTH RING ADAPTER (SRA);
REDUCED DIA. WIRE SEAL;
- SPECIFICATIONS:
 - OPERATING TEMPERATURE: -55°C TO +125°C.
 - DIELECTRIC WITHSTANDING VOLTAGE: LESS THAN 2 MILLIAMPS CURRENT LEAKAGE @ 1500 VOLTS AC.
 - INSULATION RESISTANCE: 1000 MEGOHM MIN @ 25°C.
 - MOISTURE RESISTANCE: IP67&IP69K (MATED CONDITION).
 - MATING CYCLE DURABILITY: 100 CYCLES
 - RoHS COMPLIANT
- MATING PART: AHDP04-24-31P* (* = SEAL TYPE)
- ALL DIMENSIONS ARE FOR REFERENCE USE ONLY.

△ CONTACT SIZE AND WIRE RANGE:

| CONTACT SIZE | MIN. INSUL O.D. | MAX. INSUL O.D. | TYPICAL WIRE RANGE | CURRENT RATING |
|--------------|------------------|------------------|-------------------------------------|----------------|
| 16 | 1.35 mm (.053in) | 2.62 mm (.103in) | 14-20 AWG (2.0-0.5mm ²) | 13 AMPS |



| | | | |
|--------------------------------------|--|--|--|
| AHDPO6-24-31SR-SRA | | REF:HDP26-24-31SE | |
| PART NUMBER | | DESCRIPTION | |
| QUANTITY | | MATERIALS LIST | |
| UNLESS OTHERWISE SPECIFIED | | SIGNATURES | |
| 1) All dimensions are in metric(mm). | | DATE | |
| 2) Tolerances are as follows: | | DRAWN: WANXIAO 11AUG20 | |
| 1 PL DEC ±0.30 | | CHECKED: ORIONLI 12AUG20 | |
| 2 PL DEC ±0.15 | | ENGINEER: | |
| 3 PL DEC ±0.08 | | APPROVAL: TOMMYXIE 13AUG20 | |
| 3) Note reference = △ | | CUSTOMER: | |
| MATERIAL SPECIFICATIONS: | | THIS DRAWING IS SUPPLIED FOR INFORMATION ONLY. DESIGN FEATURES, SPECIFICATIONS AND PERFORMANCE DATA SHOWN HEREON ARE THE PROPERTY OF THE AMPHENOL CORPORATION. NO RIGHTS OF REPRODUCTION ARE IMPLIED. ALL DIMENSIONS ARE SUBJECT TO NORMAL MANUFACTURING VARIATIONS. | |
| PROCESS SPECIFICATIONS: | | SCALE: NONE | |
| NEXT ASSY: | | DURAMATE | |
| | | SHEET 1 OF 1 | |

Amphenol

Sine Systems - www.amphenol-sine.com
44724 Morley Drive
Clinton Township, MI 48036

PLUG, SIZE 24,31-SOCKET,
RD01 SEAL, SRA, DURAMATE AHDP SEIRES

SIZE TYPE DWG NO. REVISION
B C- **AHDPO6-24-31SR-SRA** **A2**

TITLE: PLUG, SIZE 24,31-SOCKET, RD01 SEAL, SRA, DURAMATE AHDP SERIES
DWG NO.: AHDPO6-24-31SR-SRA
REV: A2
SH: 1
OF: 1