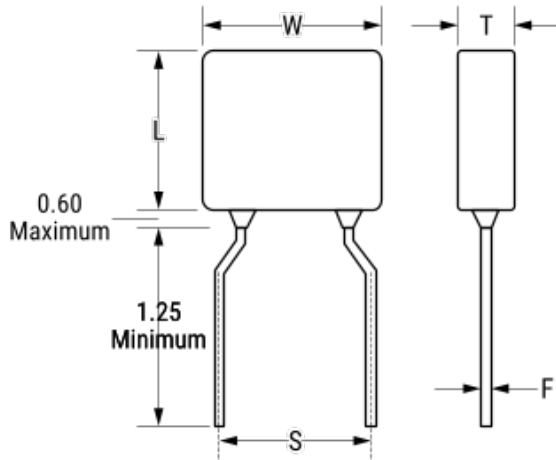


## ARR05B122KGS

ARR Indust X7R HT200C, Ceramic, 1200 pF, 10%, 50 VDC, X7R, Commercial, High Temperature, Lead Spacing = 5.08mm



Click [here](#) for the 3D model.

### Dimensions

L	5.08mm MAX
W	5.08mm MAX
T	2.54mm MAX
S	5.08mm +/-0.38mm
LL	3.175mm MIN
F	0.508mm +/-0.051mm
G	4mm +0.5/-0.5mm

### Packaging Specifications

Packaging	Bulk, Bag
Packaging Quantity	1

### General Information

Series	ARR Indust X7R HT200C
Style	Radial
Description	Commercial, High Temperature
Features	Commercial
RoHS	No
Prop 65	<b>⚠ WARNING:</b> Cancer and reproductive harm - <a href="http://www.p65warnings.ca.gov">http://www.p65warnings.ca.gov</a> .
SCIP Number	f2ec9c71-d741-45f9-8d01-f6de6baf235a
Termination	Gold
Failure Rate	N/A
Testing and Reliability	Standard
AEC-Q200	No

### Specifications

Capacitance	1200 pF
Capacitance Tolerance	10%
Voltage DC	50 VDC
Dielectric Withstanding Voltage	125 VDC
Temperature Range	-55/+200°C
Temperature Coefficient	X7R
Dissipation Factor	2.5% 1 kHz 1.0Vrms
Insulation Resistance	100 GOhms