

Figure 11: EPC9510-ZVS class-D schematic

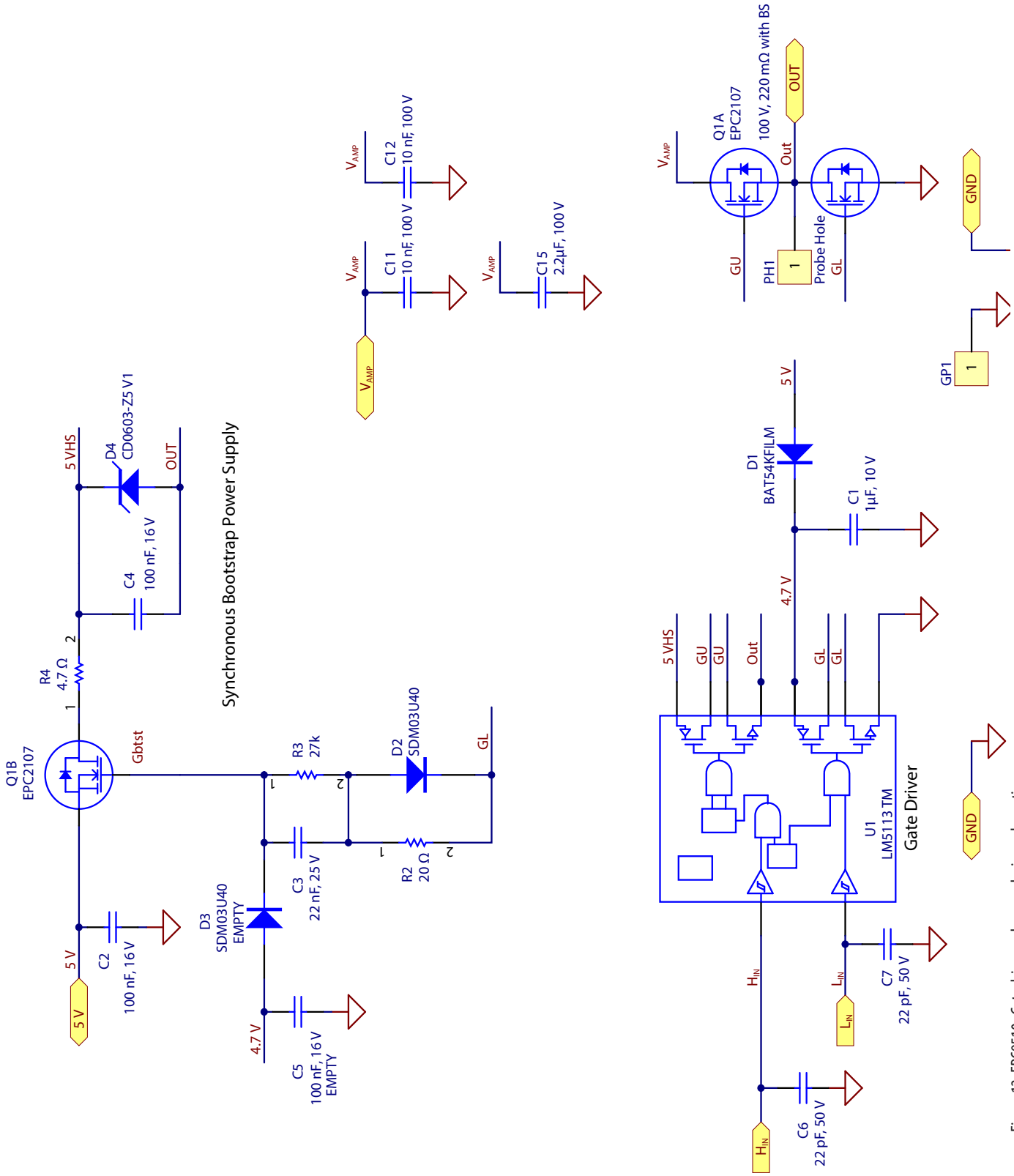


Figure 12: EPC9114- Gate driver and power devices schematic

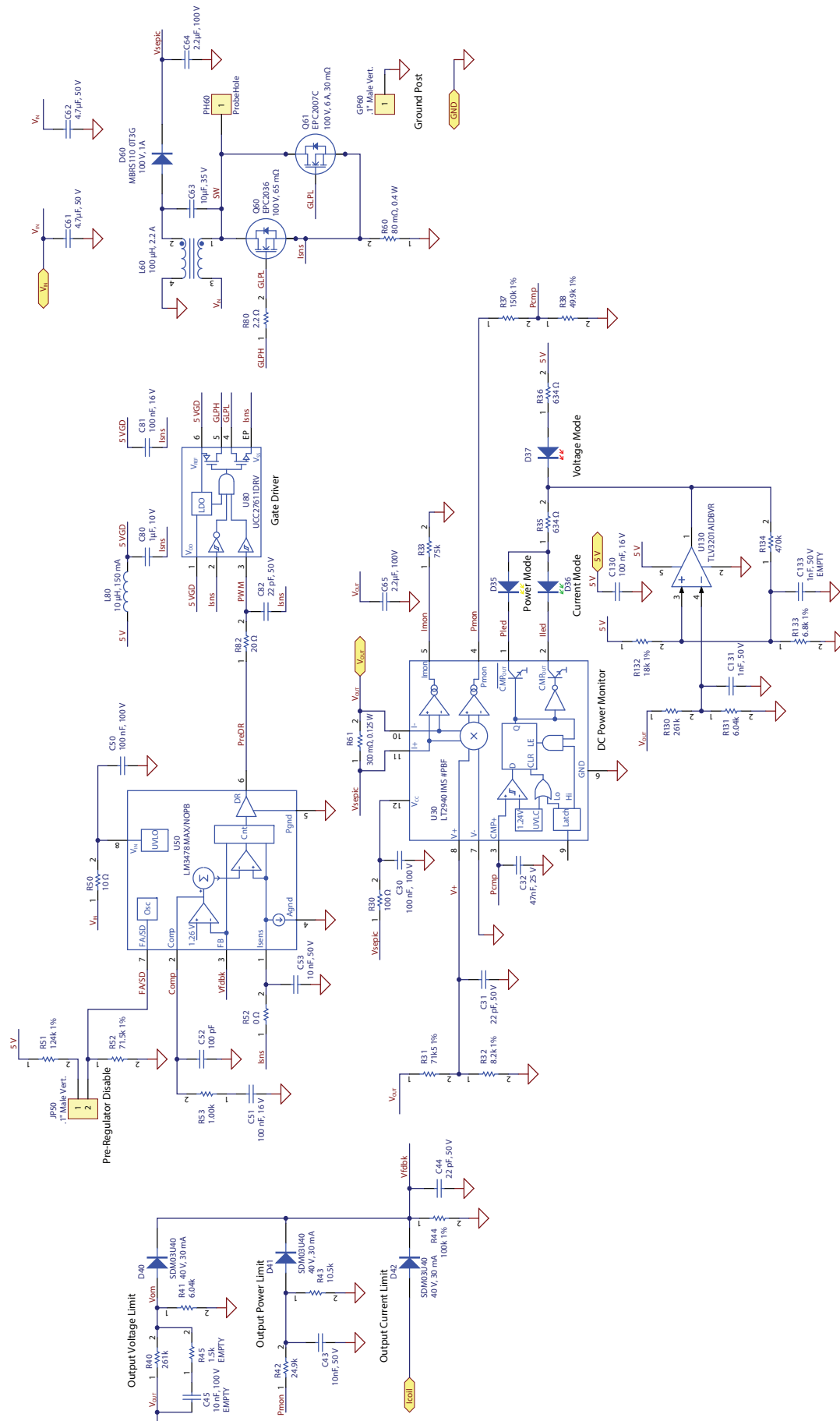


Figure 13: Pre-regulator schematic

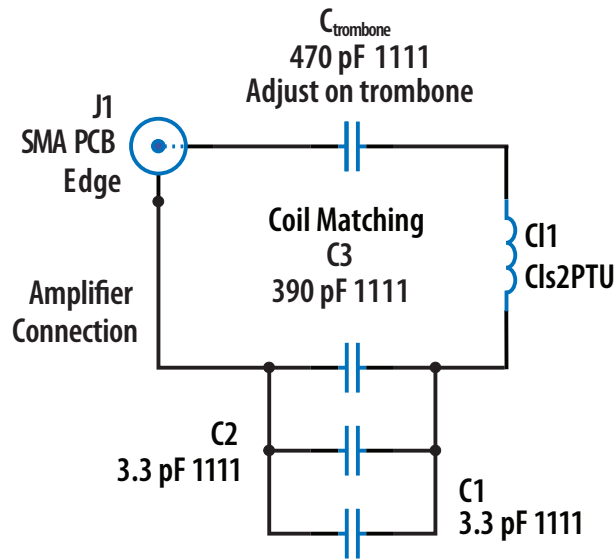


Figure 14: Class 2 Source Board Schematic

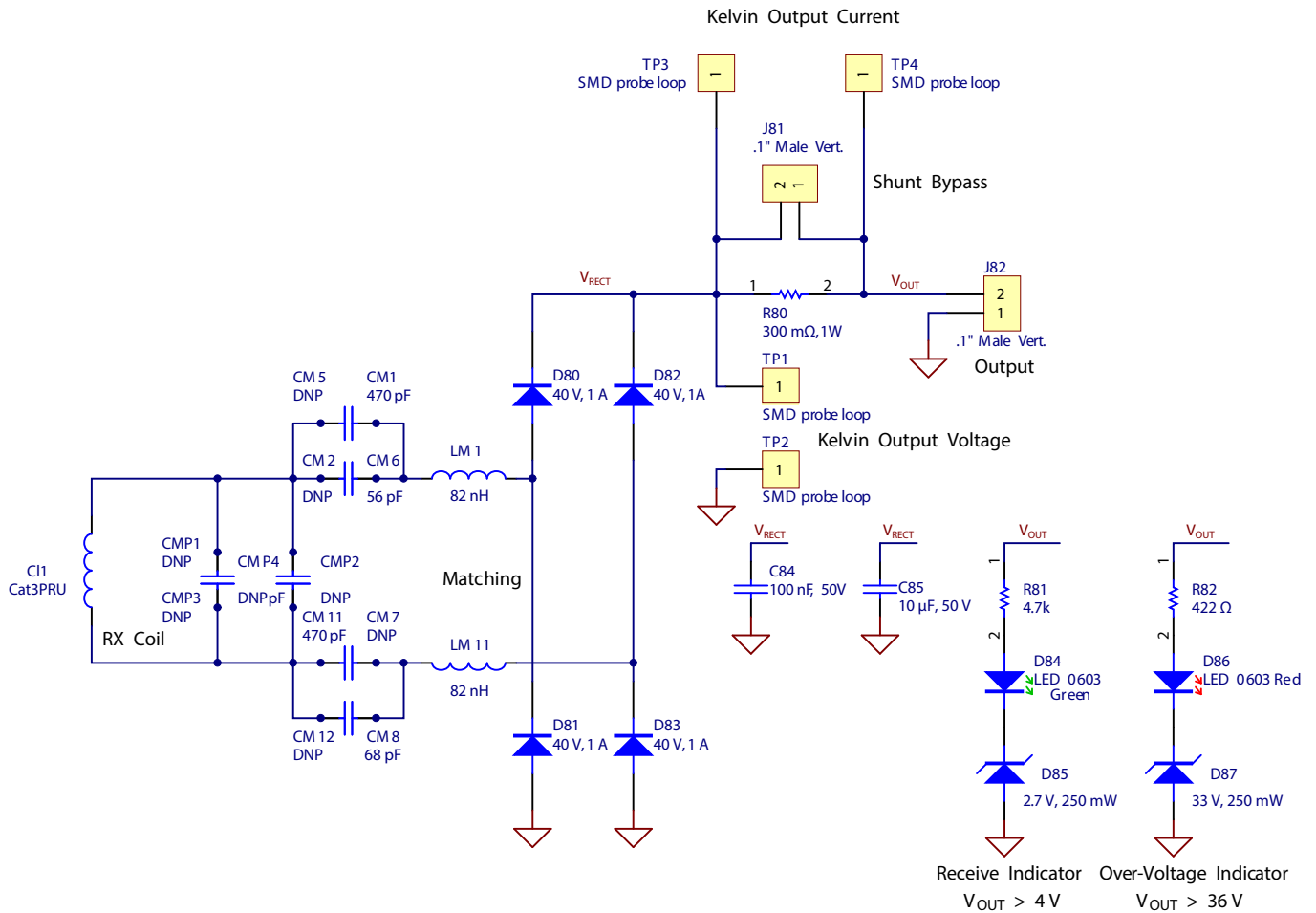


Figure 15: Category 3 device board schematic