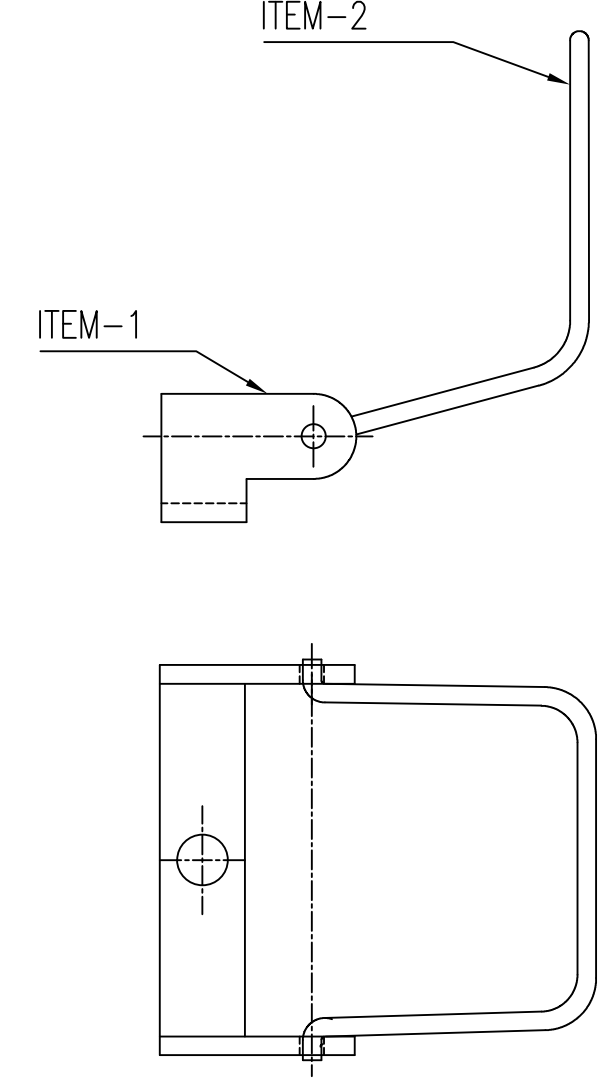
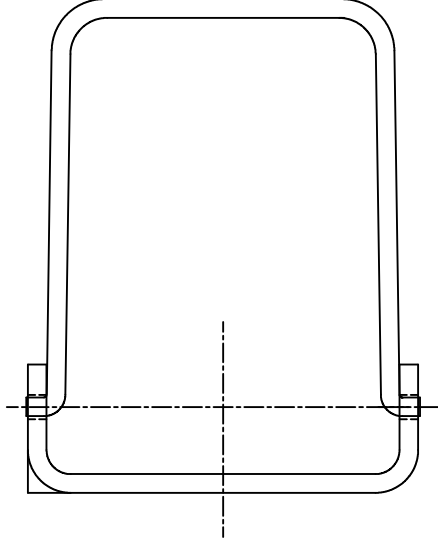


1	2	3	4	5	6	7		
CINCH Connectors Ltd. WORKSHOP, ENGLAND								
<table border="1"> <tr> <td>77884 00 000</td> <td>L00</td> </tr> </table>							77884 00 000	L00
77884 00 000	L00							
RELEVANT SPEC. SHEET 1 OF 1								
CAD No. G:JA77884 \								
<table border="1"> <tr> <td colspan="2" style="text-align: center;">IF IN DOUBT – ASK ALL DIMENSIONS ARE IN mm</td> </tr> </table>							IF IN DOUBT – ASK ALL DIMENSIONS ARE IN mm	
IF IN DOUBT – ASK ALL DIMENSIONS ARE IN mm								

ROHS COMPLIANT



CUSTOMER DRAWING ONLY.



THIS DRAWING IS COPYRIGHT AND IS ISSUED ON CONDITION IT IS NOT COPIED, REPRODUCED OR DISCLOSED TO A THIRD PARTY WITHOUT THE CONSENT IN WRITING OF CINCH CONNECTORS LTD. ATTENTION IS DRAWN TO THE FACT THAT THE ARTICLE DISCLOSED MAY BE COVERED BY BRITISH OR FOREIGN PATENTS, GRANTED OR PENDING OR REGISTERED DESIGN.		APP'D		DATE		MOD No.		ISSUE		FINISH	N ^O OFF	DESCRIPTION	CODE		
		A	B	C	D	E	F	G	H					I	J
		A	B	C	D	E	F	G	H					I	J
		A	B	C	D	E	F	G	H					I	J
												GENERAL TOLERANCE 2 DECIMAL PLACES ± 0.10 1 DECIMAL PLACE ± 0.20 NO DECIMAL PLACE ± 0.50 ANGULAR ± 1° 0.18 MAX TOOLING RAD.			
												TITLE 8 WAY BRACKET AND SPRING CLIP ASSY			
												DRN: J.MADELEY DATE: 19.09.13 SCALE: CHD JNM MATERIAL SPEC. APP'D			
												RAW MATERIAL FINISHED HARDNESS FINISH TREATMENT FINISHED COLOUR			