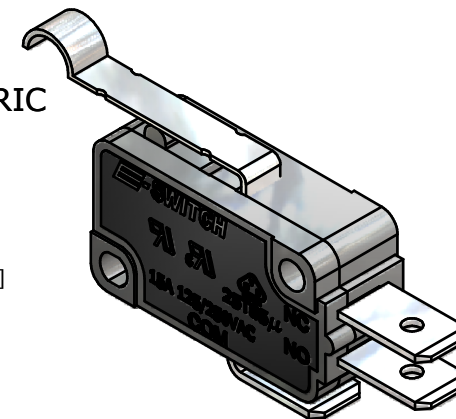
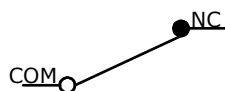


ISOMETRIC

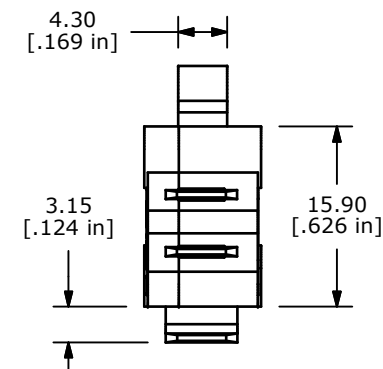
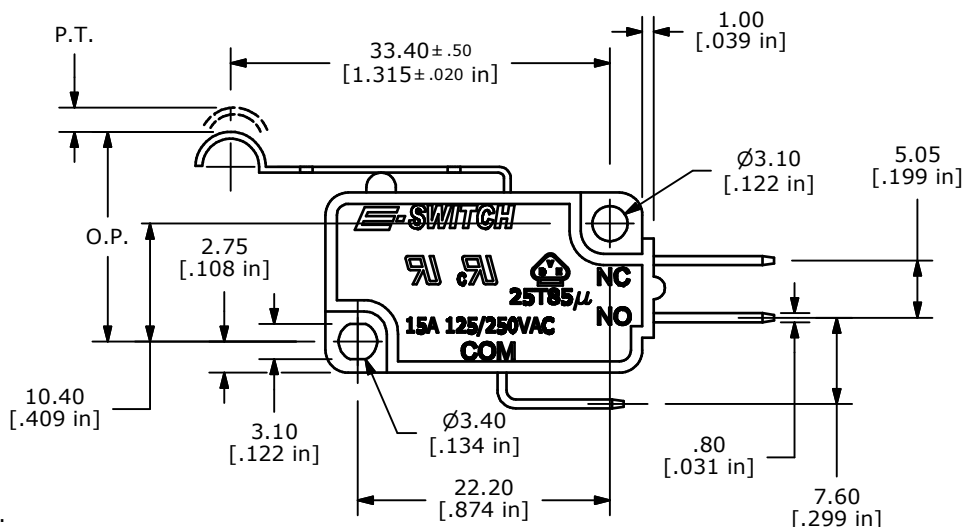
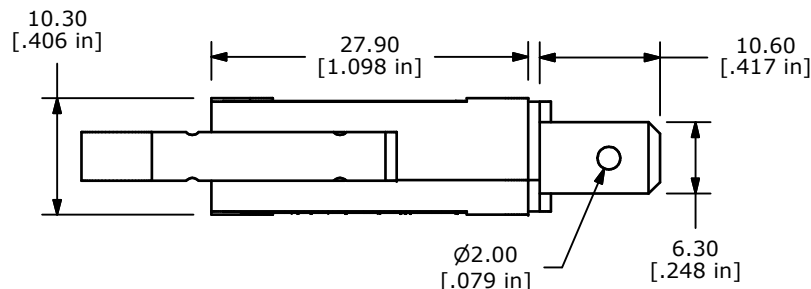


|             |           |
|-------------|-----------|
| ▲ O.P. (MM) | P.T. (MM) |
| 19.0 ± 1.5  | 3.7 MAX.  |

O.P. = OPERATING POINT  
P.T. = PRE-TRAVEL



CIRCUIT: SPDT



NOTES:

1. ALL DIMENSIONS IN MM [INCH]
2. GENERAL TOLERANCE: X.X=±0.4  
X.XX=±0.25
3. RATING: 15A @125/250VAC
- ▲ 4. OPERATING FORCE: 50 ± 20 GRAMS
5. OPERATING TEMP: -25°C TO 85°C
6. ELECTRICAL LIFE: 50,000 CYCLES MIN.
7. MECHANICAL LIFE: 1,000,000 CYCLES TYP.
8. INSULATION RESISTANCE: 100 Mega-OHMS MIN.
9. DIELECTRIC STRENGTH: 1500VAC 1 MINUTE (INITIAL VALUE)
10. CONTACT RESISTANCE: 100 Milli -OHMS MAX.
11. ▲ DENOTES CRITICAL PARAMETER.
12. 2002/95/EC (ROHS) COMPLIANT



TITLE LS0851504F050C2A

|     |        |                         |          |     |
|-----|--------|-------------------------|----------|-----|
| A   | 18718  | RELEASED FOR PRODUCTION | 12/14/09 | BLR |
| REV | PCR NO | DESCRIPTION             | DATE     | BY  |

THE INFORMATION CONTAINED IN THIS DOCUMENT IS PROPRIETARY TO E-SWITCH AND IS NOT TO BE COPIED OR TRANSFERRED

|       |            |     |         |     |
|-------|------------|-----|---------|-----|
| SCALE | DATE       | DR  | DWG     | REV |
| 1.5:1 | 12/14/2009 | BLR | Q950079 | A   |