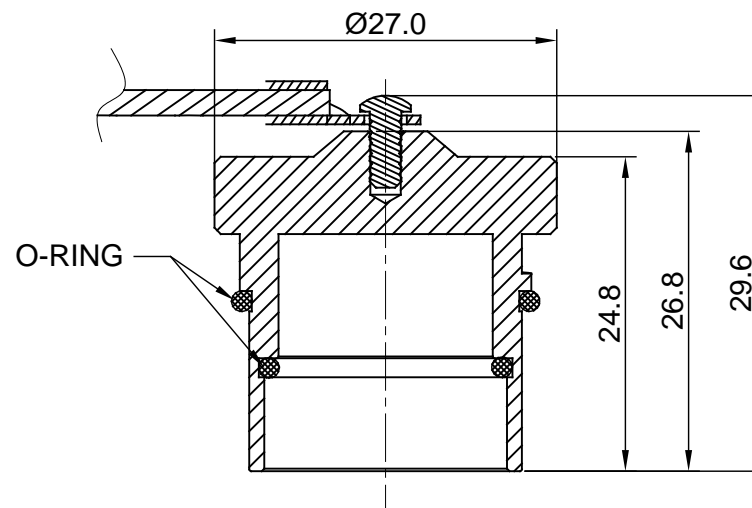
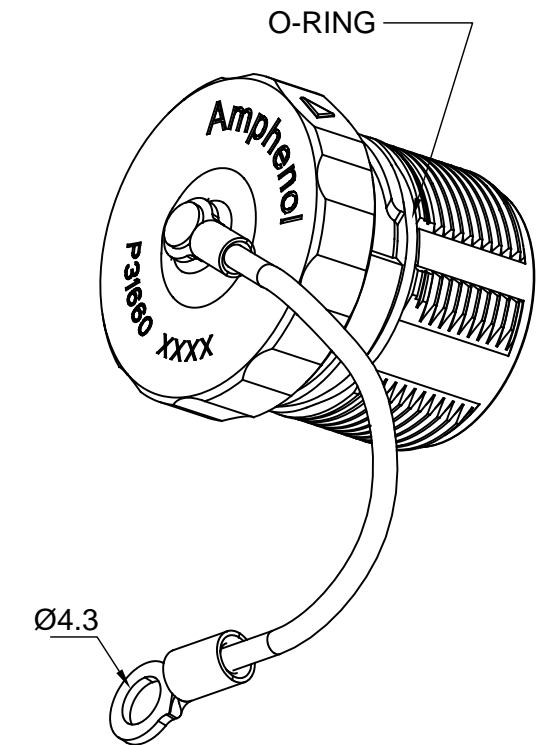
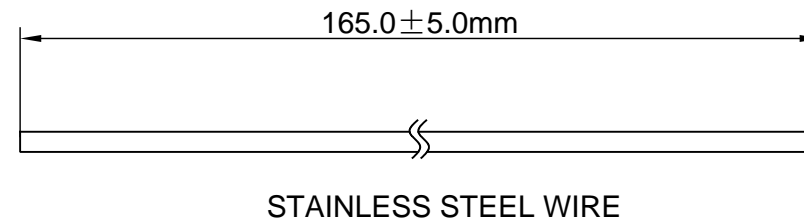
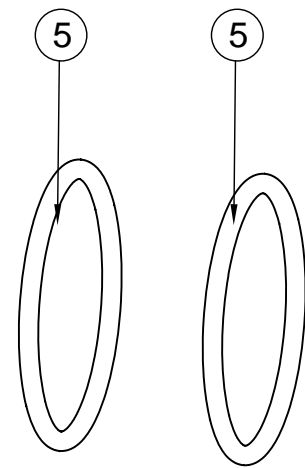
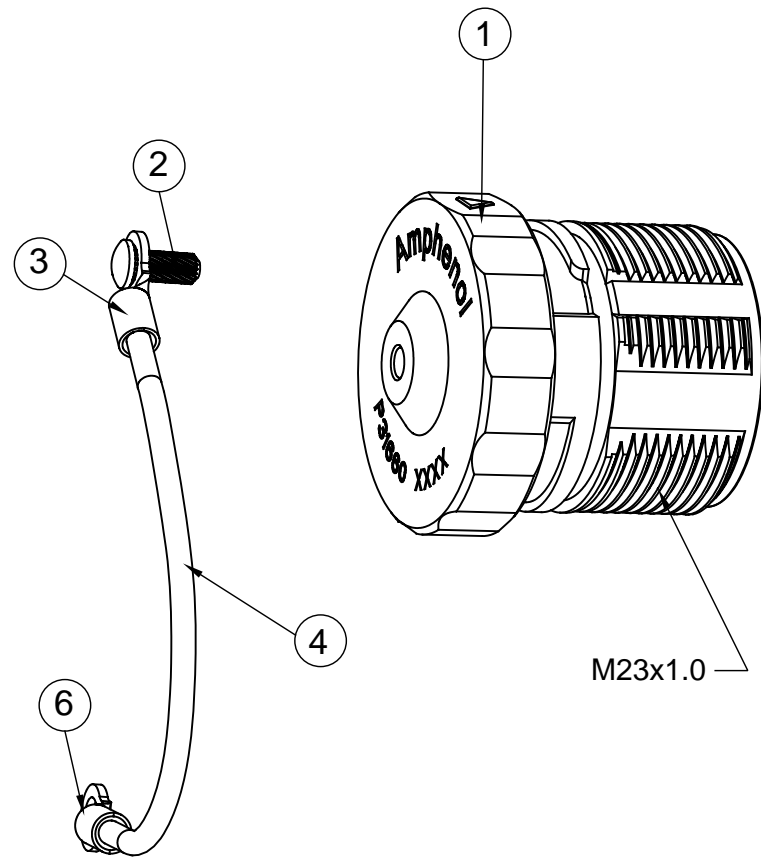


REVISIONS					
REV	ECO	DESCRIPTION	DATE	BY	APPR
A1	--	FIRST RELEASED	Sep-28-2018	White	Tommy
A2	--	UPDATED DRAWING	Jan-09-2019	White	Tommy



- NOTES : (UNLESS OTHERWISE SPECIFIED)
- MATERIAL :
 NUT : ZINC DIE CAST, NICKEL PLATED.
 RIVET : STAINLESS STEEL.
 WIRE : STAINLESS STEEL.
 SEAL: VITON.
 - SPECIFICATIONS :
 2.1 MATING CYCLES DURABILITY : 500 CYCLES MIN.
 2.2 IP--CLASS : IP67 (IN MATED CONDITION)
 2.3 RoHS COMPLIANT.
 - ALL DIMENSIONS ARE FOR REFERENCE USE ONLY.

QUANTITY	PART NUMBER	DESCRIPTION	ITEM
1	RRNBL14	RING TERMIANL M4	6
2	RB000024	O-RING, 17.5MM(ID)*1.6MM, BLACK VITON	5
165mm	RM0061	STAINLESS STEEL WIRE	4
1	RSC000021	RING TERMIANL,M3	3
1	RM0084	RIVET,F2.5*6.35	2
1	CP-M0837	METAL COUPLING NUT	1

MATERIALS LIST

UNLESS OTHERWISE SPECIFIED 1) All dimensions are in metric(mm). 2) Tolerances are as follows: 1 PL DEC ±0.30 2 PL DEC ±0.15 3 PL DEC ±0.08 Fractions ±1/64 Angles ±1° 3) Note reference =		SIGNATURES DRAWN: White Jan-09-2019 CHECKED: Tod Jan-09-2019 ENGINEER: APPROVAL: Tommy Jan-09-2019		<h1>Amphenol</h1> Sine Systems - www.amphenol-sine.com 44724 Morley Drive Clinton Township, MI 48036	
MATERIAL SPECIFICATIONS:		CUSTOMER:			
PROCESS SPECIFICATIONS:		THIS DRAWING IS SUPPLIED FOR INFORMATION ONLY. DESIGN FEATURES, SPECIFICATIONS AND PERFORMANCE DATA SHOWN HEREON ARE THE PROPERTY OF THE AMPHENOL CORPORATION. NO RIGHTS OF REPRODUCTION ARE IMPLIED. ALL DIMENSIONS ARE SUBJECT TO NORMAL MANUFACTURING VARIATIONS.		DUST CAP FOR M23A THREAD PLUG SIZE: B C- DWG NO: P31660 REVISION: A2 SCALE: NONE SHEET 1 OF 1	

TITLE: DUST CAP FOR M23A THREAD PLUG
 DWG NO: P31660
 REV: A2
 SH: 1
 OF: 1