


MATERIAL AND FINISH:

Insulator: Nylon 66, UL-94V-0 Rated
 Line & Ground contacts: Brass
 Neutral contact: Brass, Nickel plated

ELECTRICAL SPECIFICATIONS:

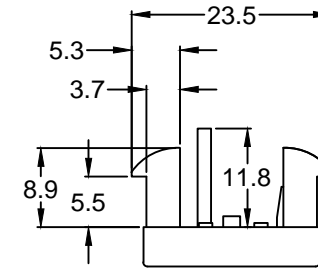
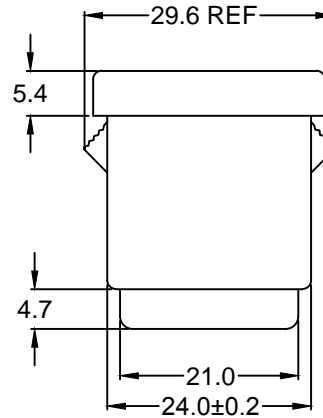
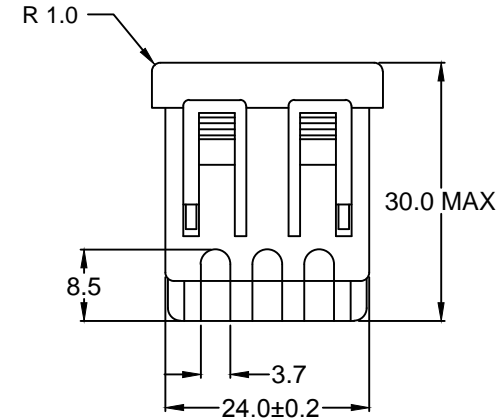
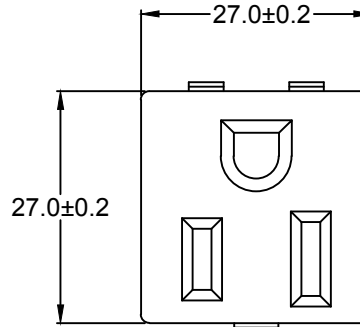
Rated current: 15A 125V 

Insulation resistance: 100 Mohm min. at 500VDC
 Dielectric withstanding voltage: 1000VAC for one minute
 Contact resistance: 30 milliohms max. at 2.5Vdc at 1A.

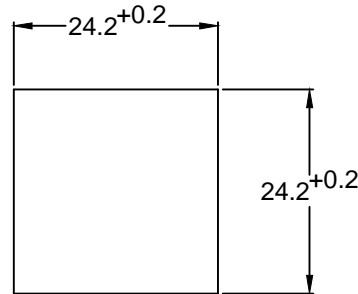
MECHANICAL SPECIFICATIONS:

Meets JIS C 8303 section 4.1 retaining force.

NOTE: Part shipped unassembled.



REAR COVER DETAIL



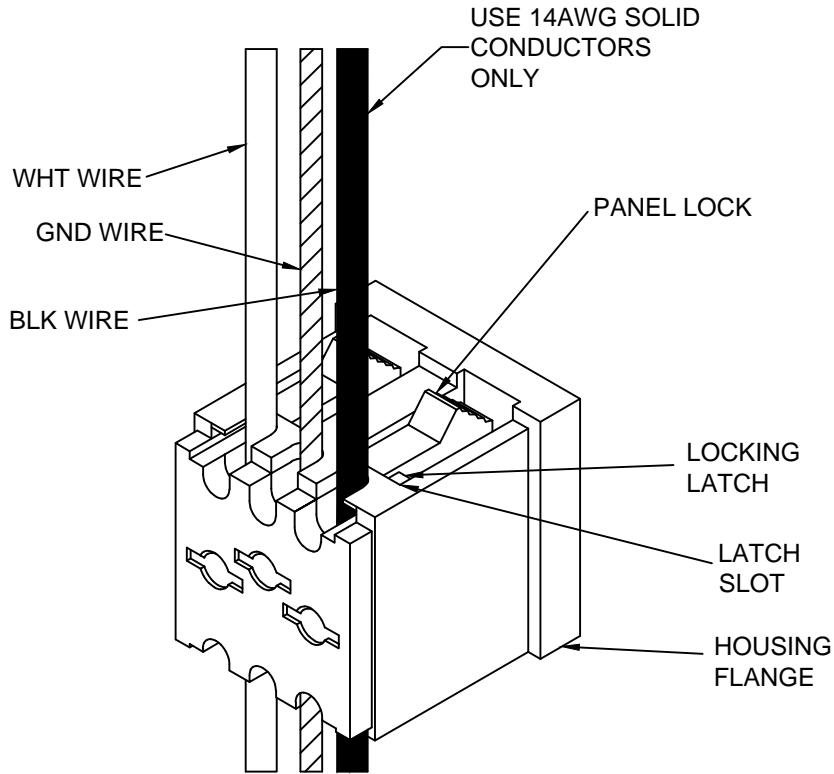
RECOMMENDED PANEL CUTOUT
 Panel thickness range: 0.8mm max to 1.8mm max.

REVOLUTIONS		CHANGE	CHNGD REAR COVER	CHNGD REAR COVER	CHNGD REAR COVER	CHNGD REAR COVER	CHNGD REAR COVER	CHNGD REAR COVER	CHNGD REAR COVER	CHNGD REAR COVER	CHNGD REAR COVER
REV	DATE	DATE	DATE	DATE	DATE	DATE	DATE	DATE	DATE	DATE	DATE
A	8/89										
B	4/3/00										
C	11/9/00										
D	10/25/01										
E	2/20/03										
F	11/25/08										
G	3/18/11										
H	12/13										

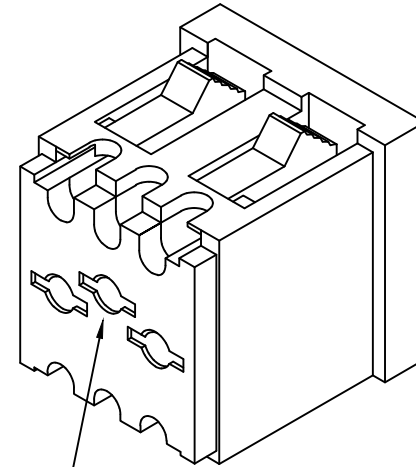
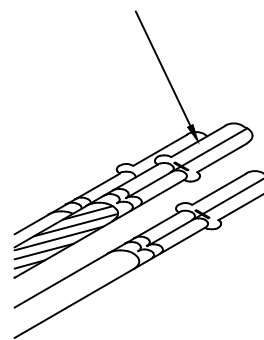
TOLERANCE UNLESS OTHERWISE SPECIFIED	
X	± 1
X.X	± 0.4
X.XX	± 0.20
DRAWN BY	SS
DATE:	2/16/00
CHECK BY	TD
DATE:	8/23/00
APPR BY	SS
DATE:	8/23/00

Power Dynamics, Inc.	
Phone: 973 560-0019 Whippany, New Jersey Fax: 973 560-0076	
PART: NEMA 5-15 RECEPTACLE, UNIVERSAL SNAP IN, 15A 125V; FOR 14 AWG WIRE	
PD-15-2	
PART #:	SHEET 1 of 2
SIZE: A	ALL DIMENSIONS FOR REFERENCE ONLY DIMENSIONS ARE IN MILLIMETERS
SCALE: NTS	
REV: H	

SINGLE SOCKET FEED THRU APPLICATION



TAB TERMINAL
4.8mm TO 5.2mm
(USING SOLID OR
STRANDED WIRE
14 AWG WIRE)



TAB TERMINAL
SLOT

4.8 TO 5.2 FASTON TAB TERMINAL
APPLICATION

REVISIONS

SEE SHEET 1 FOR LATEST REVISION

TOLERANCE UNLESS OTHERWISE SPECIFIED	
X	± 1
X.X	± 0.4
X.XX	± 0.20
DRAWN BY	SS
DATE:	02/16/99
CHECK BY	TD
DATE:	8/23/99
APPR BY	SS
DATE:	8/23/99

Power Dynamics, Inc.

Phone: 973 560-0019 Whippany, New Jersey Fax: 973 560-0076

PART: NEMA 5-15 RECEPTACLE, UNIVERSAL
SNAP IN, 15A 125V; FOR 14 AWG WIRE

PD-15-2

SHEET
2 of 2

PART #:
SIZE: A
SCALE: NTS

ALL DIMENSIONS FOR REFERENCE ONLY
DIMENSIONS ARE IN MILLIMETERS

REV: H