

SUMMARY

Wires

Coax 1



Image is for illustrative purpose only

Series 3T
Termination type Female solder
IP rating 66
AWG wire size 0.00 - 0.00
Cable Ø 0.00 - 0.00 mm
Status active
Matching parts [FFA.3T.275.CTAY11](#)

Download

[Request a quote](#)

[Catalog](#)

TECHNICAL DETAILS

Mechanics

Shell Style/Model PSA*: Fixed socket with cable clamping, nut fixing
Keying Circular, female
Housing Material Brass (chrome plated [SAE AMS 2460]) shell and collet nut, nickel plated [SAE AMS QQ N 290] brass latch sleeve and mid pieces
Weight 91.74 g

Performance

Configuration 3T.275 : 1 Coax (75 Ohm)
Insulator T: PTFE
Rated Current 6 Amps

Specifications

Contact Type: Solder
Vtest: (unknown)1200 V (AC), 1690 V (DC)
Impedance: (unknown)75 Ohm

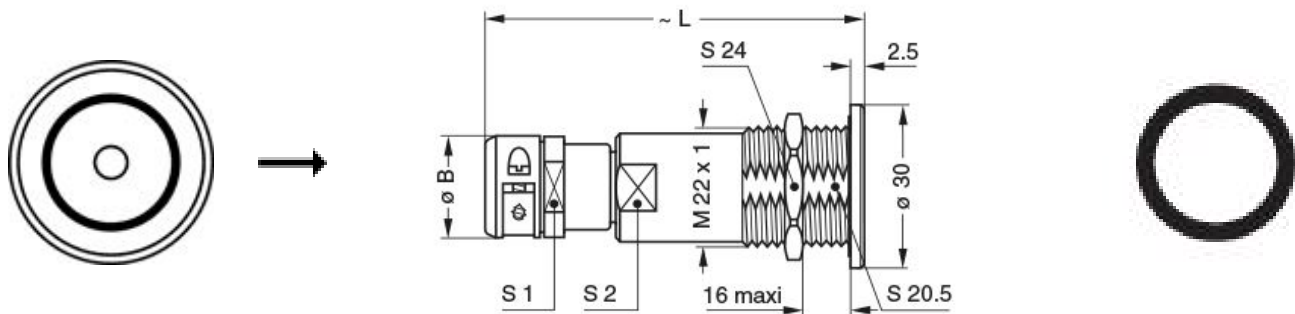
Others

Endurance (Shell): >1000 mating cycles
Temp (min / max): -55°C / +200°C

LEMO products and services are provided "as is". LEMO makes no warranties or representations with regard to LEMO product & services or use of them, express, implied or statutory, including for accuracy, completeness, or security. The user is fully responsible for his products and applications using LEMO components.

Humidity (max): $\leq 95\%$ [at 60 deg C / 140 F]
 Resistance to vibration: 15 g [10 Hz - 2000 Hz]
 Shock Resistance: 100 g [6 ms]
 Climatical Category: 50/175/21
 Shielding efficiency (min): 95 dB (at 10 MHz)
 Shielding efficiency (min): 80 dB (at 1 GHz)
 Salt Spray Corrosion: >1000 hr

DRAWINGS



Dimensions

	B	L	S1	S2
mm.	20	81	18	16
in.	0,79	3,19	0,71	0,63

RECOMMENDED BY LEMO

Tools

Cables

LEMO products and services are provided "as is". LEMO makes no warranties or representations with regard to LEMO product & services or use of them, express, implied or statutory, including for accuracy, completeness, or security. The user is fully responsible for his products and applications using LEMO components.