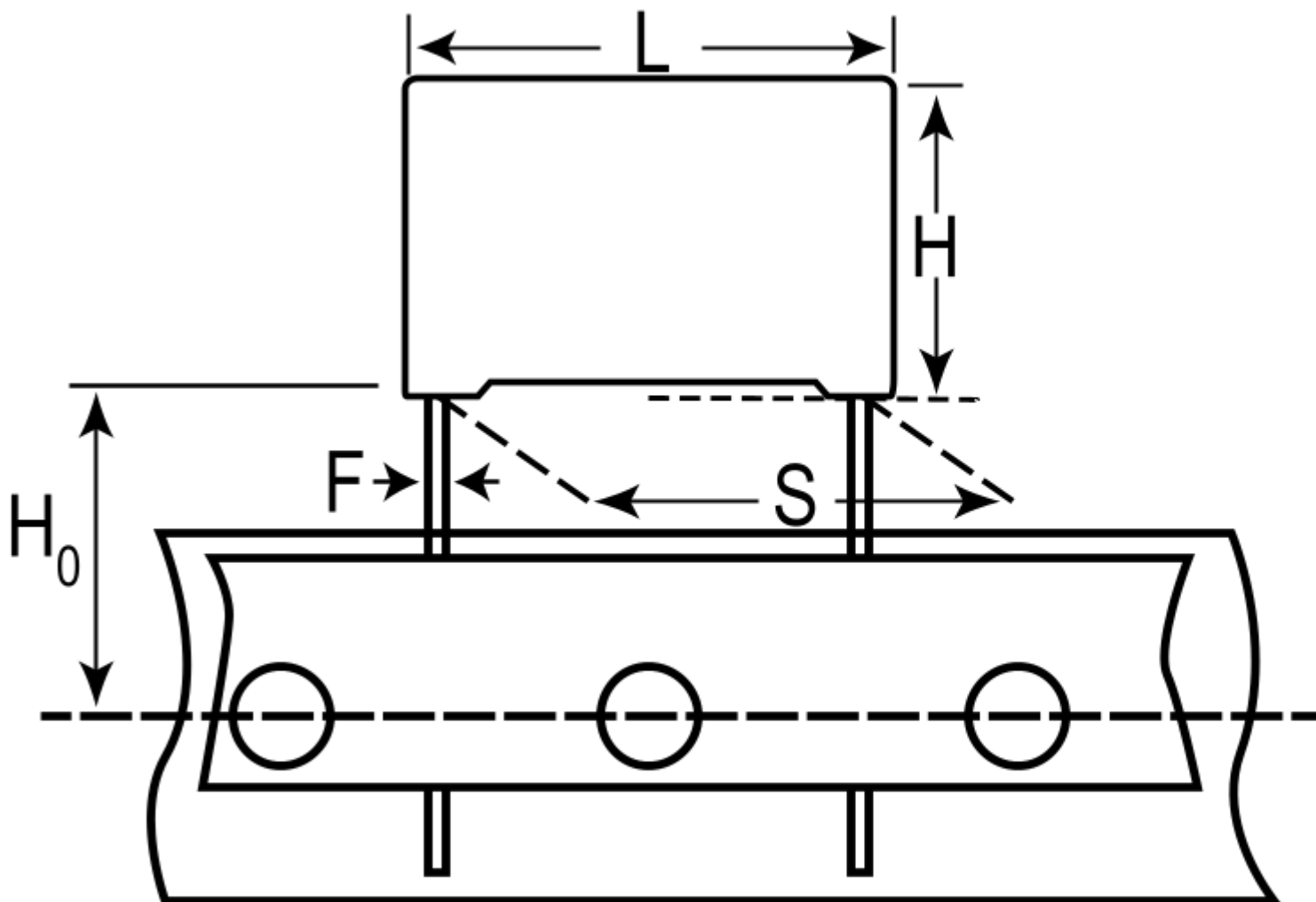


# R75IF2680DQ30J

## Aliases (75IF2680DQ30J)

R75, Film, Metallized Polypropylene, Automotive Grade, 0.068 uF, 5%, 250 VDC, 85°C, Lead Spacing = 10mm



Click [here](#) for the 3D model.

### Dimensions

L 13mm +0.2/-0.5mm

H 9mm +0.1/-0.5mm

### Dimensions

T 4mm +0.2/-0.5mm  
S 10mm +/-0.4mm  
H0 18.5mm +/-0.5mm  
F 0.6mm +/-0.05mm

### Packaging Specifications

Packaging Ammo, 360x340x59mm, Box  
Packaging Quantity 1000

### General Information

Series R75  
Dielectric Metallized Polypropylene  
Style Radial  
Features Automotive Grade, Pulse  
RoHS Yes  
Lead Wire Leads  
Qualifications AEC-Q200  
AEC-Q200 Yes  
Component Weight 0.61 g  
Miscellaneous Above 85C DC And AC Voltage Derating Is 1.25%/C.

### Specifications

Capacitance 0.068 uF  
Capacitance Tolerance 5%  
Voltage AC 160 VAC  
Voltage DC 250 VDC  
Temperature Range -55/+105°C  
Rated Temperature 85°C  
Dissipation Factor 0.04% 1kHz, 0.06% 10kHz, 0.25% 100kHz  
Insulation Resistance 100 GOhms  
Max dV/dt 550 V/us  
Resistance 23.4 mOhms (100kHz)  
Ripple Current 3.3 Amps (100kHz 85C), 39 Amps (Peak)  
Inductance 9 nH

Statements of suitability for certain applications are based on our knowledge of typical operating conditions for such applications, but are not intended to constitute - and we specifically disclaim - any warranty concerning suitability for a specific customer application or use. This Information is intended for use only by customers who have the requisite experience and capability to determine the correct products for their application. Any technical advice inferred from this Information or otherwise provided by us with reference to the use of our products is given gratis, and we assume no obligation or liability for the advice given or results obtained.

Generated 5/18/2023 - 0eed31a9-4297-4498-95f6-f54c0e4b75f3  
© 2006 - 2023 KEMET  
Generated 5/18/2023 - 0eed31a9-4297-4498-95f6-f54c0e4b75f3  
© 2006 - 2023 KEMET