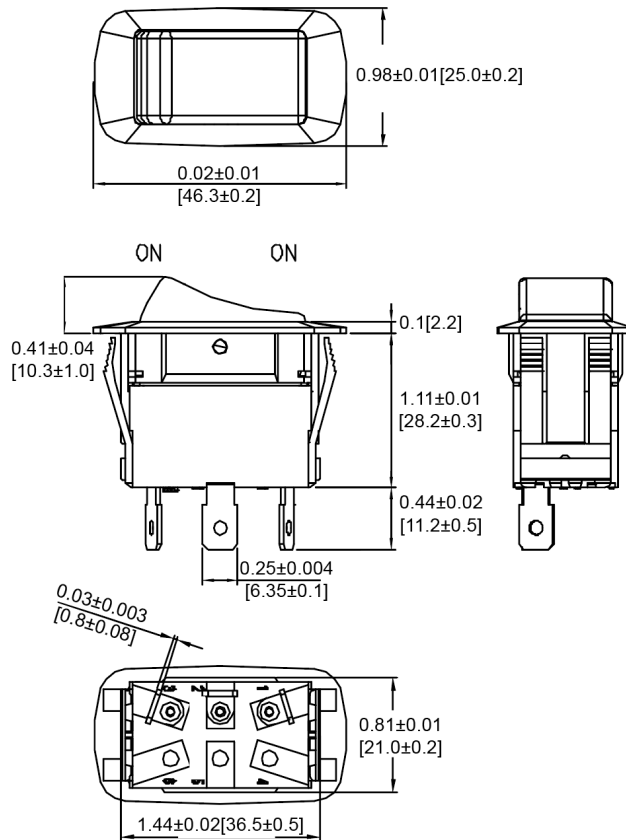
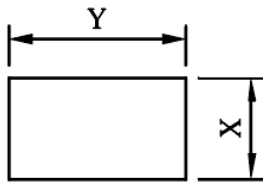


Mechanical Dimensions: Inches [mm]

Tolerances ± 0.012 [0.3] Unless Otherwise Specified



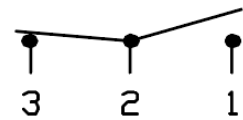
Mounting Hole



Thickness	X	Y
0.0~0.04 [0.75~1.25]	0.83+0.004 [21.2+0.1]	0.87+0.004 [36.6+0.1]
0.04~0.07 [1.25-2.0]	0.83+0.004 [21.2+0.1]	1.45+0.004 [36.8+0.1]
0.07~0.11 [2.0~3.0]	0.83+0.004 [21.2+0.1]	1.46+0.004 [37.0+0.1]

Circuit Diagram

3P SPDT ON-ON



Electrical Specifications

Rating 16(4)A 125/250V AC. R/GP: 20A 125V AC 16A 125VAC 10A 277VAC 3/4HP

Contact Resistance 50m ohm Max.

Insulation Resistance DC 500V 100M ohm Min

Dielectric Strength AC 1500V 1 minute

Operation Temperature -20°C ~ 85°C

Material Specifications

Frame Black, Nylon 66

Actuator Black, Nylon 66+33%GF

Waterproof IP56

Rev **Date of issue** **Revision Notes**

Designed **Approved**

A	02-04-2021	Initial Drawing	RC	OF
---	------------	-----------------	----	----