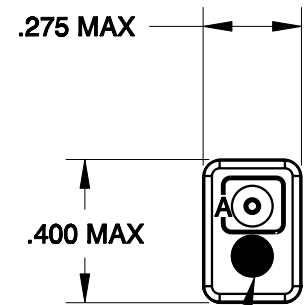
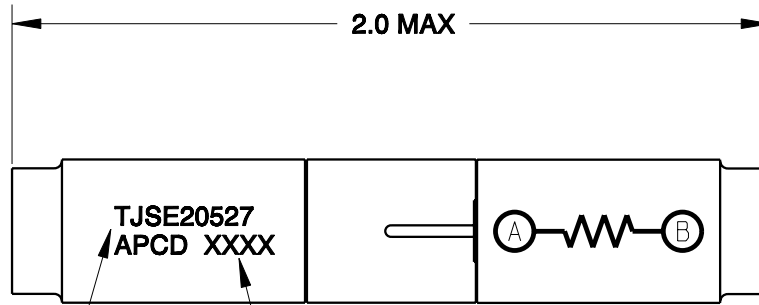


REV	ECN	APP'D
1		

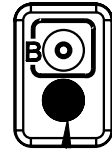


SEAL HOLE
SILICONE RTV



WHITE MARKING
.06 HT

DATE CODE



SEAL HOLE
SILICONE RTV

NOTES:

1. MATERIALS:

HOUSING: POLYETHERIMIDE, COLOR BLACK
GROMMET: SILICONE ELASTOMER, COLOR BLUE
INTERNAL CONTACT: COPPER ALLOY, GOLD PLATED,
PER MIL-G-45204, TYPE I, GRADE C, CLASS I.

CONTACT RETAINER: STAINLESS STEEL

**2. SPLICE ACCEPTS (2) MATING M39029/1-101 CONTACTS
(NOT INCLUDED)**

3. PART COMPLIES TO ALL REQUIREMENTS PER MIL-T-81714.

4. RESISTOR: 1.3K Ω , 1/4W

DIMENSIONS ANSI Y14.5M UNITS: INCHES Pro/E FILE	TOLERANCES .XX ± 0.01 .XXX ± 0.005 ANGLES $\pm 2.0^\circ$	PROJECTION 	<h1>Amphenol Pcd</h1> <p>SPECIFICATION DRAWING</p>		TITLE WIRE SPLICE, ELECTRONIC RESISTOR, 1.3K Ω , 1/4W SIZE 20		
			ENGR D. LANG	03/24/06	SIZE A	DWG NO. TJSE20527	REV 1
THIS DOCUMENT CONTAINS PROPRIETARY INFORMATION WHICH IS THE CONFIDENTIAL PROPERTY OF AMPHENOL PCD INC., PEABODY, MA			CHKD	APPD	CODE: 58982	SCALE: 2:1	SHEET 1 OF 1