

Read head and evaluation unit

VAA-2E-IER2-S-1M-V1

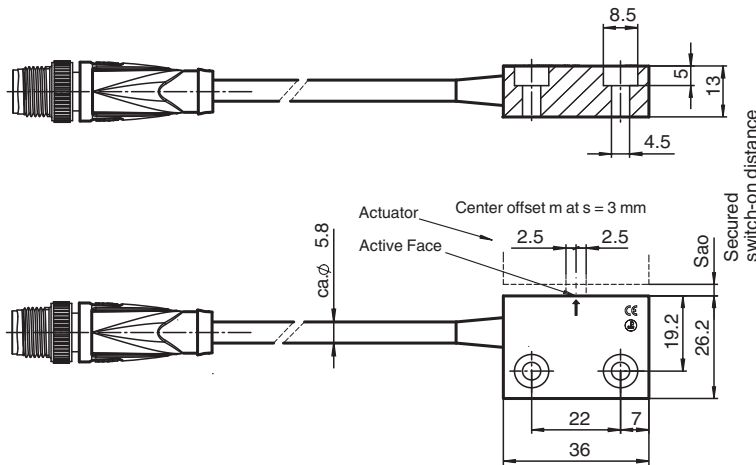


- Small plastic housing
- Encapsulated electronics
- Especially suited to small doors and coverings
- Multiple-flush magnet system
- Cable with M12 plug

Reed safety switch for non-contact AS-Interface safety switches



Dimensions



Technical Data

| General specifications | | |
|--------------------------------------|-----------------|-------------------------------|
| Detection type | | magnetic |
| assured start-up distance | S _{a0} | 7 mm |
| assured release distance | S _{ar} | max. 40 mm |
| Center offset | m | ± 2.5 mm at distance s = 3 mm |
| Node type | | Safety node |
| AS-Interface specification | | V3.0 |
| Required gateway specification | | ≥ V2.0 |
| Profile | | S-0.B |
| IO code | | 0 |
| ID code | | B |
| ID1 code | | F |
| ID2 code | | E |
| Response delay | | < 5 ms |
| UL File Number | | E155795 |
| Functional safety related parameters | | |
| Safety Integrity Level (SIL) | | SIL 3 |

Release date: 2022-06-13 Date of issue: 2022-06-13 Filename: 211352_eng.pdf

Refer to "General Notes Relating to Pepperl+Fuchs Product Information".

Pepperl+Fuchs Group
www.pepperl-fuchs.com

USA: +1 330 486 0001
fa-info@us.pepperl-fuchs.com

Germany: +49 621 776 1111
fa-info@de.pepperl-fuchs.com

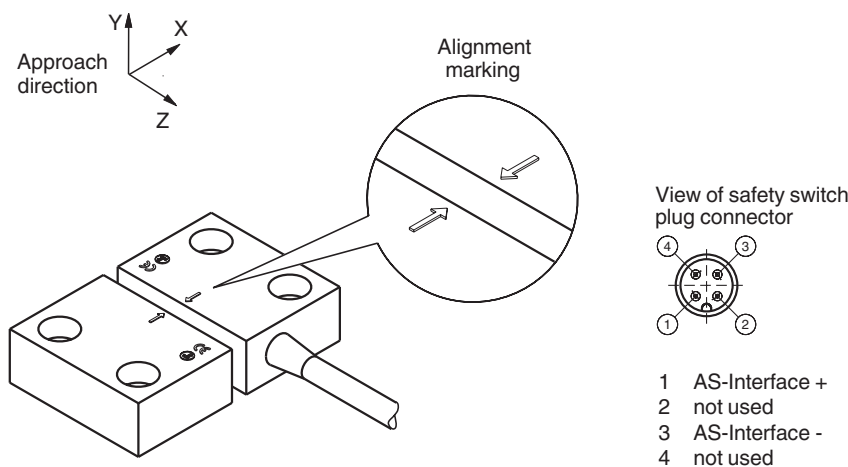
Singapore: +65 6779 9091
fa-info@sg.pepperl-fuchs.com

PF PEPPERL+FUCHS

Technical Data

| | | |
|----------------------------------|--|-----------------------------------|
| Performance level (PL) | PL e | |
| Mission Time (T_M) | 20 a | |
| PFH _d | 4.29 E-8 | |
| Electrical specifications | | |
| Rated operating voltage | U_e | 26.5 ... 31.6 V from AS-Interface |
| Rated operating current | I_e | ≤ 30 mA |
| Power supply | via AS-Interface network | |
| Directive conformity | | |
| Electromagnetic compatibility | | |
| Directive 2014/30/EU | EN 62026-2:2013+A1:2019 IEC 60947-5-3:1999 | |
| Machinery Directive | | |
| Directive 2006/42/EC | EN ISO 12100-1, -2:2003 EN 1088:1995+A2:2008 | |
| Standard conformity | | |
| Degree of protection | EN 60529:2000 | |
| AS-Interface | EN 62026-2:2013+A1:2019 | |
| Functional safety | ISO 13849-1:2008 (up to category 3/PL e) EN ISO 12100-1, -2:2003 EN 1088:1995+A2:2008 | |
| Ambient conditions | | |
| Ambient temperature | -20 ... 60 °C (-4 ... 140 °F) | |
| Shock and impact resistance | 30 g/11 ms | |
| Mechanical specifications | | |
| Housing length | 36 mm | |
| Housing width | 26.2 mm | |
| Housing depth | 13 mm | |
| Degree of protection | IP67 | |
| Connection | with fixed cable and M12 connector, 4-pin | |
| Material | | |
| Housing | PPS | |
| Cable | PUR | |
| Installation | any position | |
| Cable length | 1 m | |
| Life span | 100 x 10 ⁶ switching cycles | |

Assembly



Release date: 2022-06-13 Date of issue: 2022-06-13 Filename: 211352_eng.pdf

Refer to "General Notes Relating to Pepperl+Fuchs Product Information".

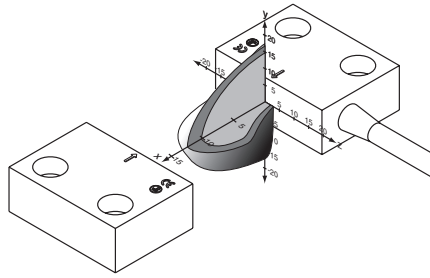
Pepperl+Fuchs Group
www.pepperl-fuchs.com

USA: +1 330 486 0001
fa-info@us.pepperl-fuchs.com

Germany: +49 621 776 1111
fa-info@de.pepperl-fuchs.com

Singapore: +65 6779 9091
fa-info@sg.pepperl-fuchs.com

PF PEPPERL+FUCHS



Programming

Data bit safety node
(function via AS-Interface)

| Data bit | Input |
|----------|--------------------|
| D0 | dyn. safety code 1 |
| D1 | dyn. safety code 1 |
| D2 | dyn. safety code 2 |
| D3 | dyn. safety code 2 |


Parameter bit
(programmable via AS-Interface)

| Parameter bit | Function |
|---------------|----------|
| P0 | IN1 |
| P1 | IN2 |
| P2 | IN3 |
| P3 | IN4 |

Matching System Components

| | | |
|---|-----------------------------|--|
|  | VAZ-IER2-ACTUATOR2-S | Actuator for non-contact AS-Interface Reed safety switch |
|---|-----------------------------|--|

Accessories

| | | |
|---|-------------------------|---------------------------------------|
|  | VAZ-T1-FK-G10-V1 | Splitter box G10, AS-Interface to M12 |
|---|-------------------------|---------------------------------------|

Release date: 2022-06-13 Date of issue: 2022-06-13 Filename: 211352_eng.pdf