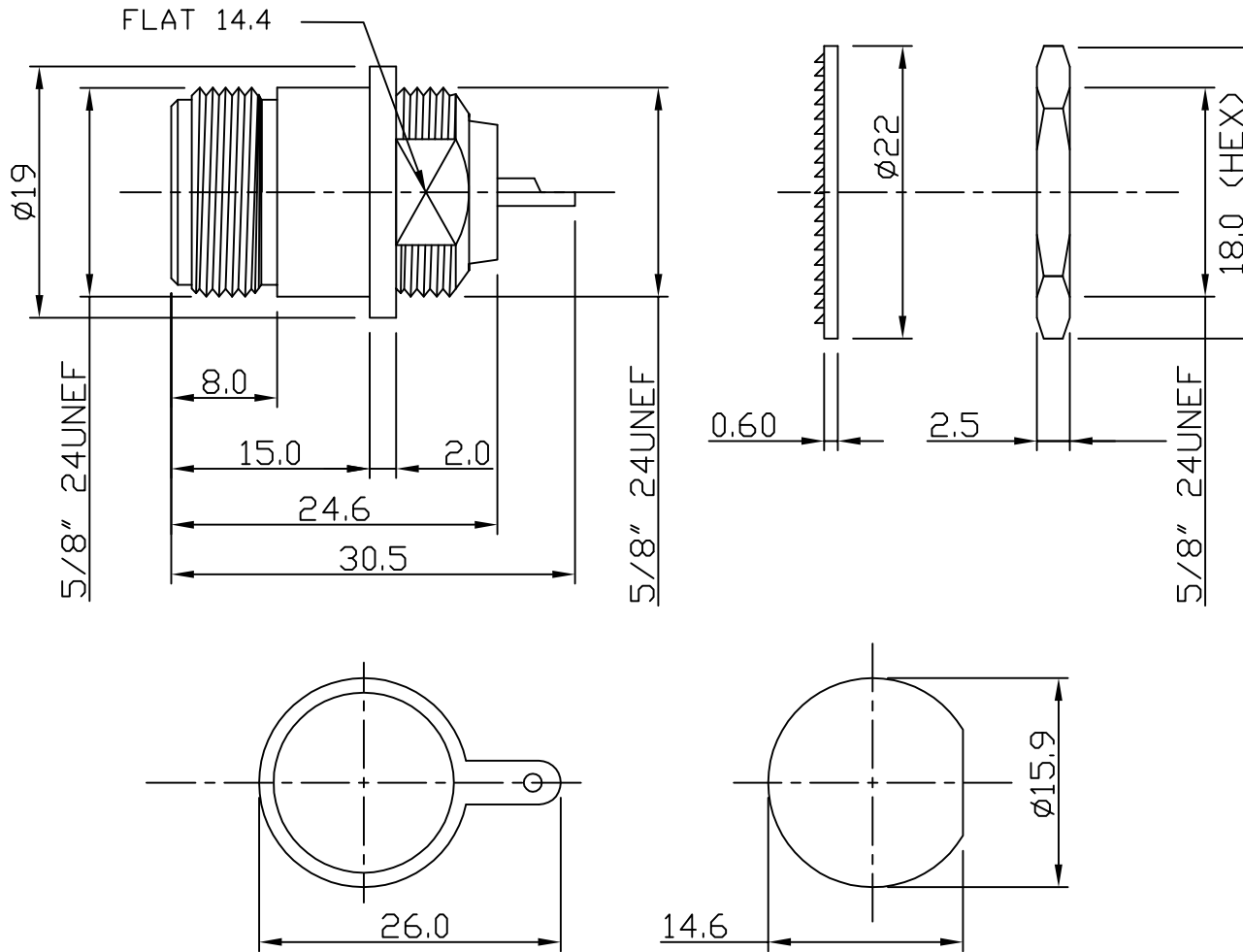


RoHS COMPLIANT



Electrical Characteristics

Nominal Impedance:	50 ohms
Frequency Range:	DC to 11 GHz
Operating Voltage (rms):	1500V maximum at sea level
Dielectric Withstand Voltage (rms):	2500V maximum at sea level
Contact Resistance:	1.0 milliohms maximum
Insulation Resistance:	5000 megaohms maximum

Mechanical Characteristics

Mating Cycles:	500 cycles minimum
Interface Dimensions:	Conform to MIL-C-39012

Environmental Characteristics

Temperature Range:	-55 °C to +85 °C
--------------------	------------------

PART	DESCRIPTION
1	Body Brass, nickel plated
2	Dielectric PTFE
3	Contact Brass, Gold Plated
4	Nut Brass, nickel plated
5	Washer Brass, nickel plated
6	Earth Tab Brass, nickel plated

First Issue	AT	1	23 May 06
DESCRIPTION OF REVISION	APPVD	ISS	DATE



Cinch Connectivity Solutions
 7-13 Russel Way,
 Widford Industrial Estate,
 Chelmsford, Essex,
 CM1 3AA, UK.
 Tel: +44 (0) 1245 359515
 Fax: +44 (0) 1245 358938

SCALE: Not To Scale	DRAWN BY: A Tusi
DIMENSIONS: mm	CHECKED BY: M Terry
TOLERANCES: ± 0.2mm unless otherwise stated	APPROVED BY: J Williams
	DATE: 23 May 06

TITLE:
Panel Mount Jack - 50 Ohms

PART NUMBER:
VN513

PAGE: 1 of 1