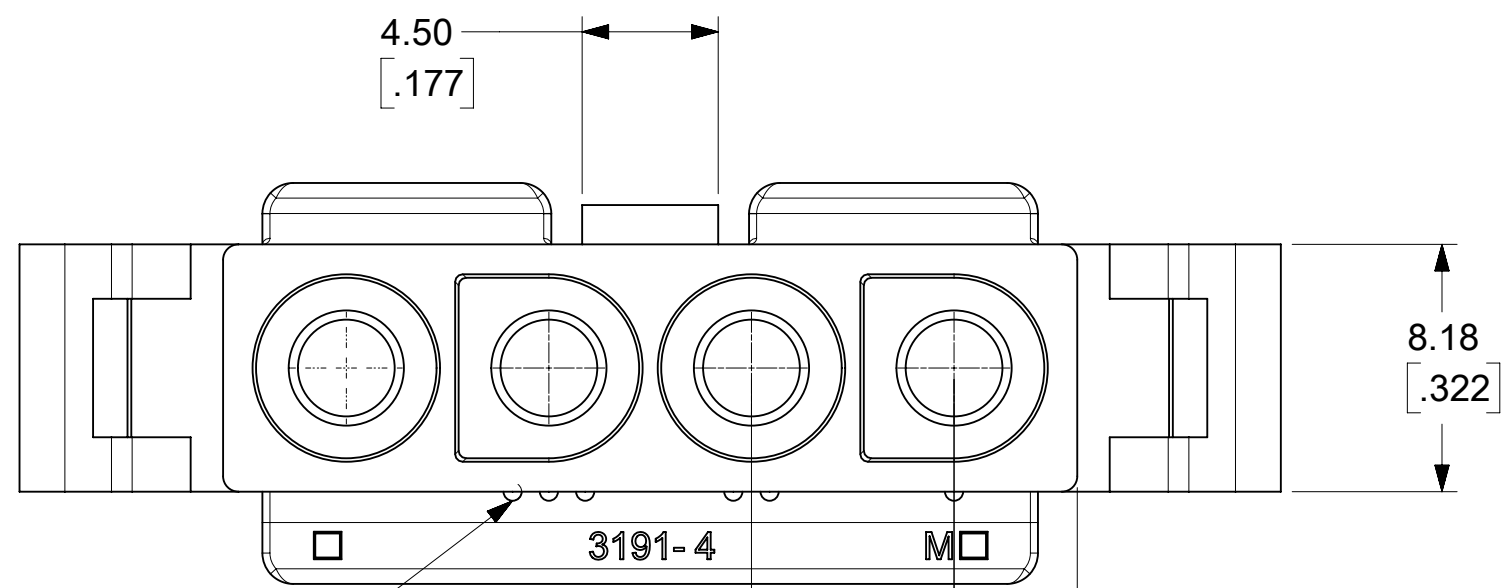


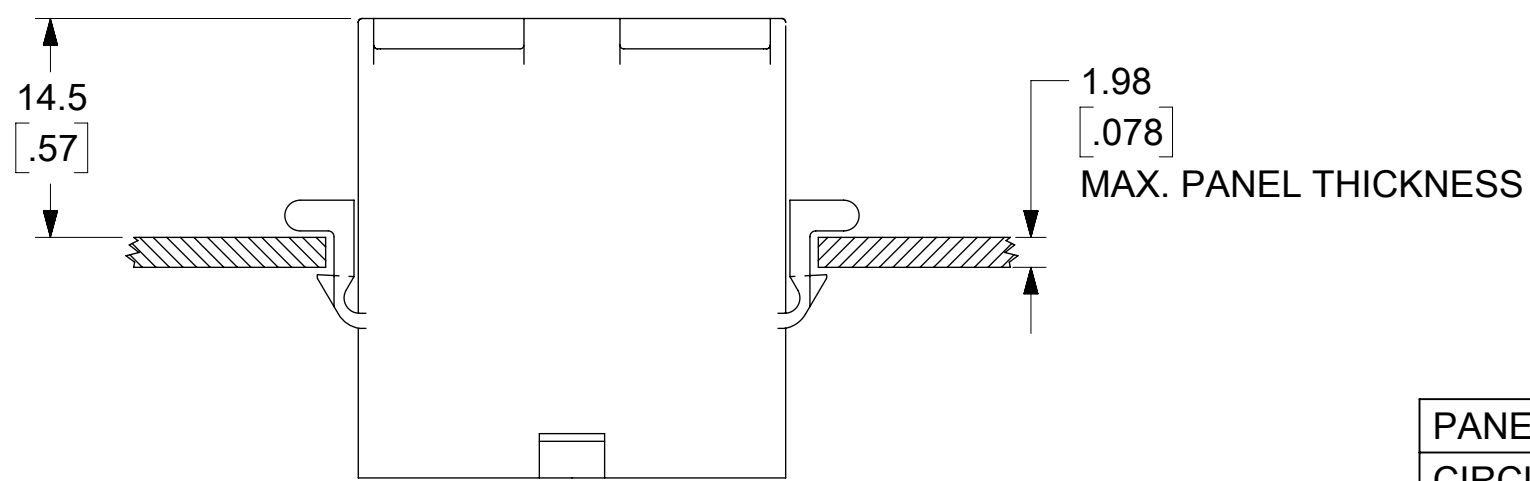
(SHOWN WITH OPTIONAL MOUNTING EARS)

**PLUG**

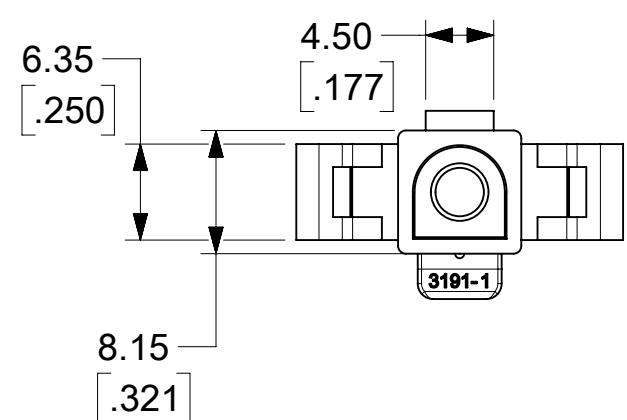
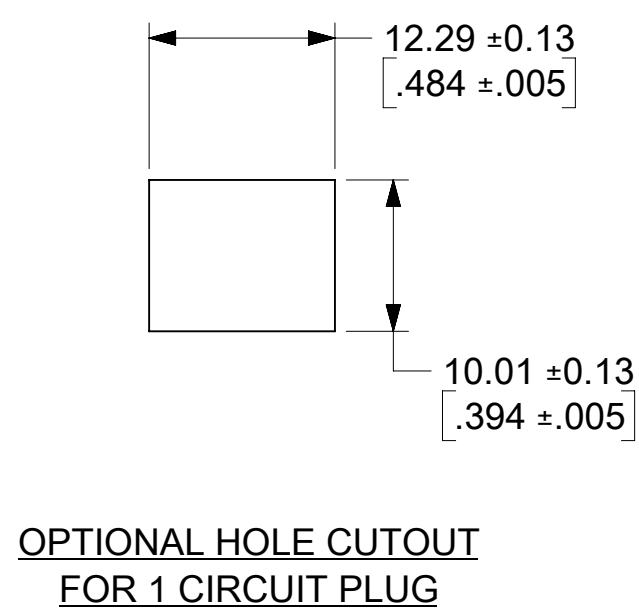
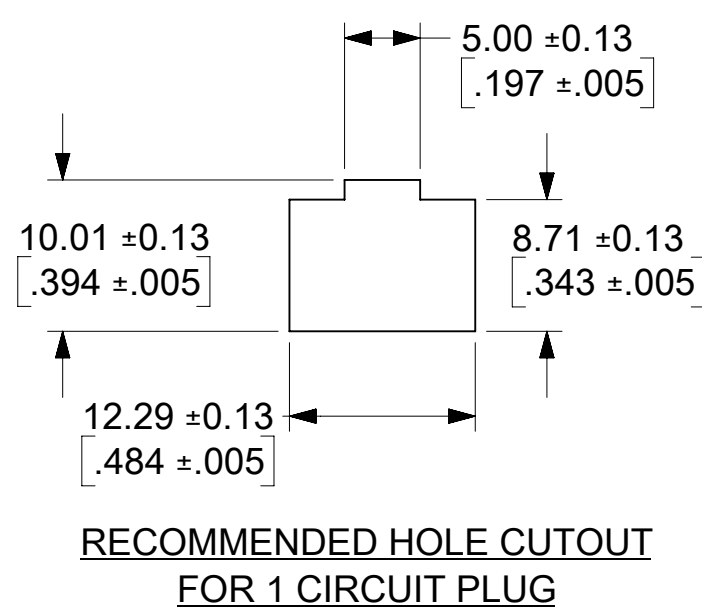
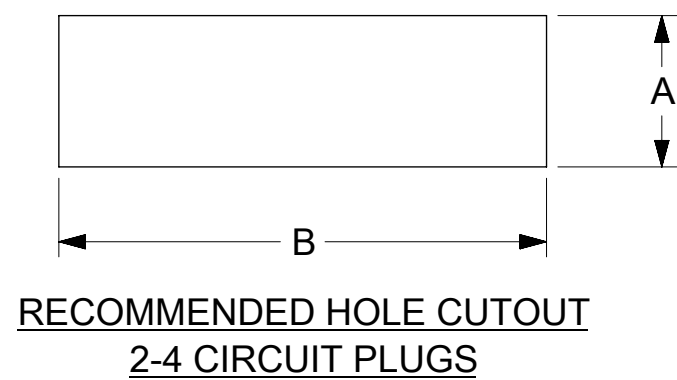


CIRCUIT I.D. RIBS

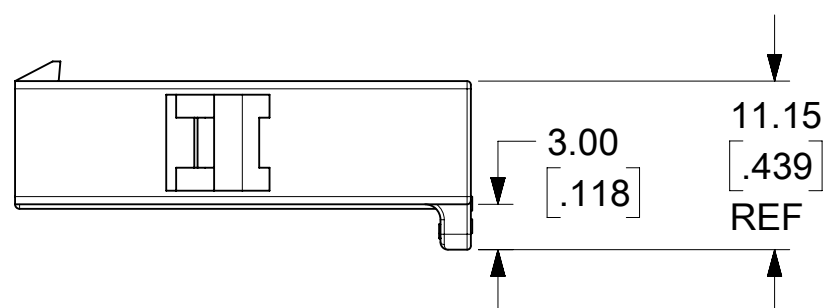
FUNCTIONAL SYMBOLS	THIS DRAWING CONTAINS INFORMATION THAT IS PROPRIETARY TO MOLEX ELECTRONIC TECHNOLOGIES, LLC AND SHOULD NOT BE USED WITHOUT WRITTEN PERMISSION						
	DIMENSION UNITS	SCALE		CURRENT REV DESC: RELEASED			
$\frac{F}{A} = 0$	MM/INCH	4:1		EC NO: 643927 DRWN: MKIPPER CHK'D: MKIPPER APPR: FSMITH			
$\frac{F}{C} = 0$	GENERAL TOLERANCES (UNLESS SPECIFIED)						
DIVISIONAL SYMBOLS	4 PLACES	±	±	2020/06/02			
	3 PLACES	±	± 0.01	2022/10/12			
	2 PLACES	± 0.25	± 0.015	2022/10/14			
	1 PLACE	± 0.38	±				
	0 PLACES	±	±	INITIAL REVISION:			
	ANGULAR TOL	± °		DRWN: MKIPPER 2020/06/02			
	DRAFT WHERE APPLICABLE MUST REMAIN WITHIN DIMENSIONS	THIRD ANGLE PROJECTION	DRAWING	2022/10/14			
			C-SIZE	SERIES			
				3191			
DOCUMENT STATUS	P1	RELEASE DATE	2022/10/14 17:29:15	DOCUMENT NUMBER	DOC TYPE	DOC PART	REVISION
				31910000-SD	PSD	000	A
				MATERIAL NUMBER	CUSTOMER	SHEET NUMBER	
				SEE CHARTS	GENERAL MARKET	1 OF 4	



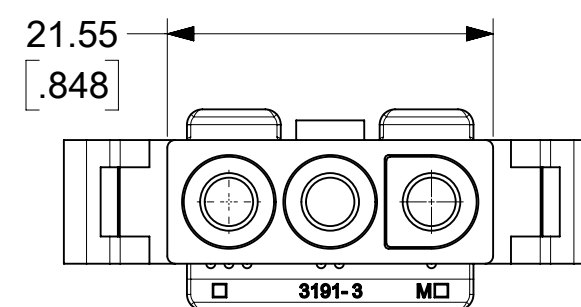
PANEL HOLE CUTOUT DIMENSIONS		
CIRCUITS	DIM. "A"	DIM. "B"
2	9.27 ±0.13 .365 ±.005	20.32 ±0.13 .800 ±.005
3	10.01 ±0.13 .394 ±.005	25.91 ±0.13 1.020 ±.005
4	10.01 ±0.13 .394 ±.005	32.26 ±0.13 1.270 ±.005



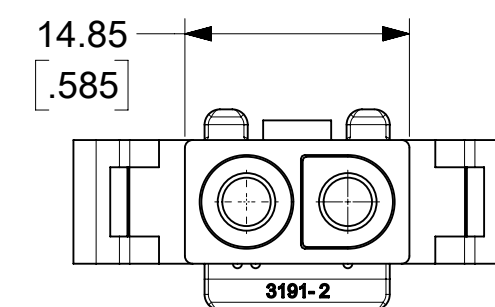
THESE DIMENSIONS APPLY TO 1 CIRCUIT PLUG ONLY  
SEE SHEETS 1 FOR OTHER DIMENSIONS.



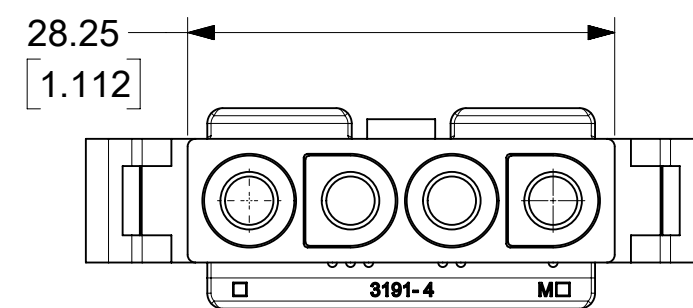
CIRCUITS	PART NO.	ENG. NO.	MATERIAL	COLOR	MOUNTING EARS	PACKAGING
1	19-09-2018	3191-1P	UL94V-2	NATURAL	YES	31910002-PK
	19-09-2019	3191-1P1	UL94V-2	NATURAL	NO	31910002-PK
	19-09-2017	3191-1P-201	UL94V-0	IVORY	YES	31910002-PK
	19-09-2016	3191-1P1-201	UL94V-0	IVORY	NO	31910002-PK
2	19-09-2028	3191-2P	UL94V-2	NATURAL	YES	31910002-PK
	19-09-2029	3191-2P1	UL94V-2	NATURAL	NO	31910002-PK
	19-09-2027	3191-2P-201	UL94V-0	IVORY	YES	31910002-PK
	19-09-2026	3191-2P1-201	UL94V-0	IVORY	NO	31910002-PK
3	19-09-2038	3191-3P	UL94V-2	NATURAL	YES	31910001-PK
	19-09-2039	3191-3P1	UL94V-2	NATURAL	NO	31910001-PK
	19-09-2037	3191-3P-201	UL94V-0	IVORY	YES	31910002-PK
	19-09-2036	3191-3P1-201	UL94V-0	IVORY	NO	31910002-PK
	19-09-3033	3191-3PBU	UL94V-2	BLUE	YES	31910002-PK
4	19-09-2048	3191-4P	UL94V-2	NATURAL	YES	31910002-PK
	19-09-2049	3191-4P1	UL94V-2	NATURAL	NO	31910002-PK
	19-09-2047	3191-4P-201	UL94V-0	IVORY	YES	31910002-PK
	19-09-2046	3191-4P1-201	UL94V-0	IVORY	NO	31910002-PK



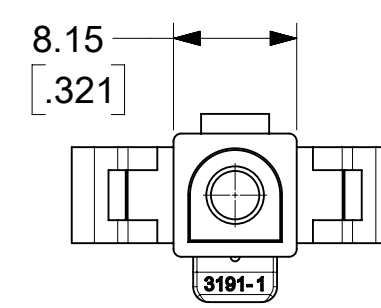
3 CIRCUIT



2 CIRCUIT



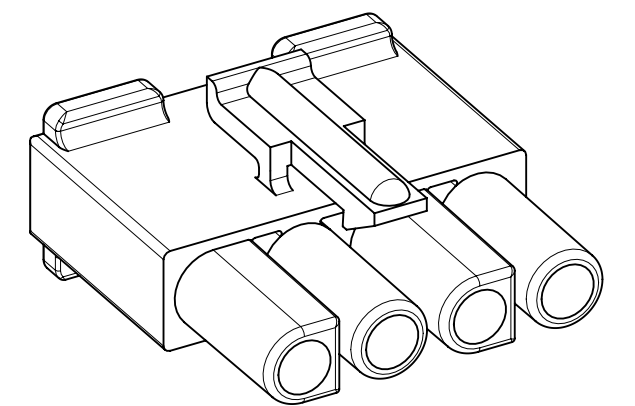
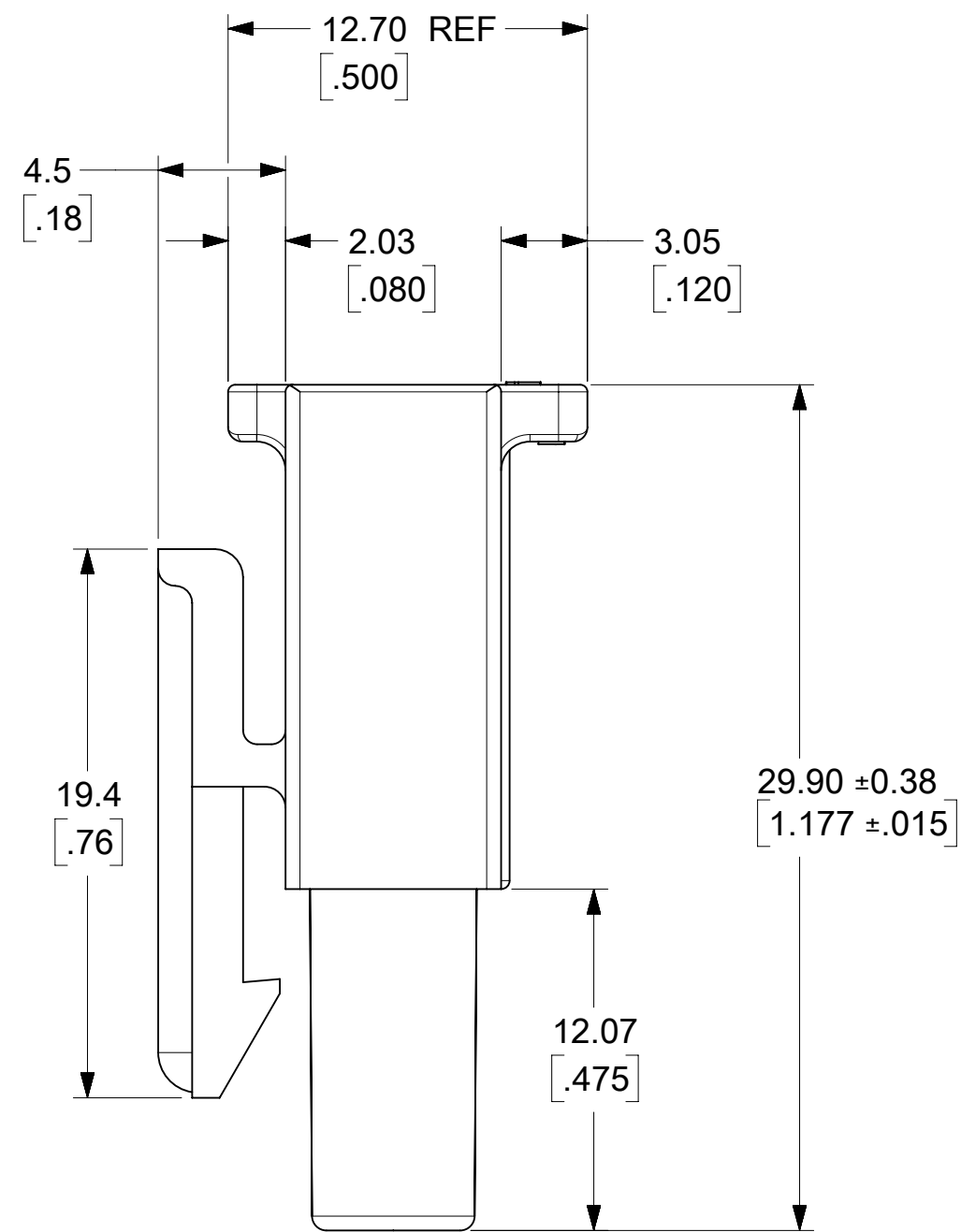
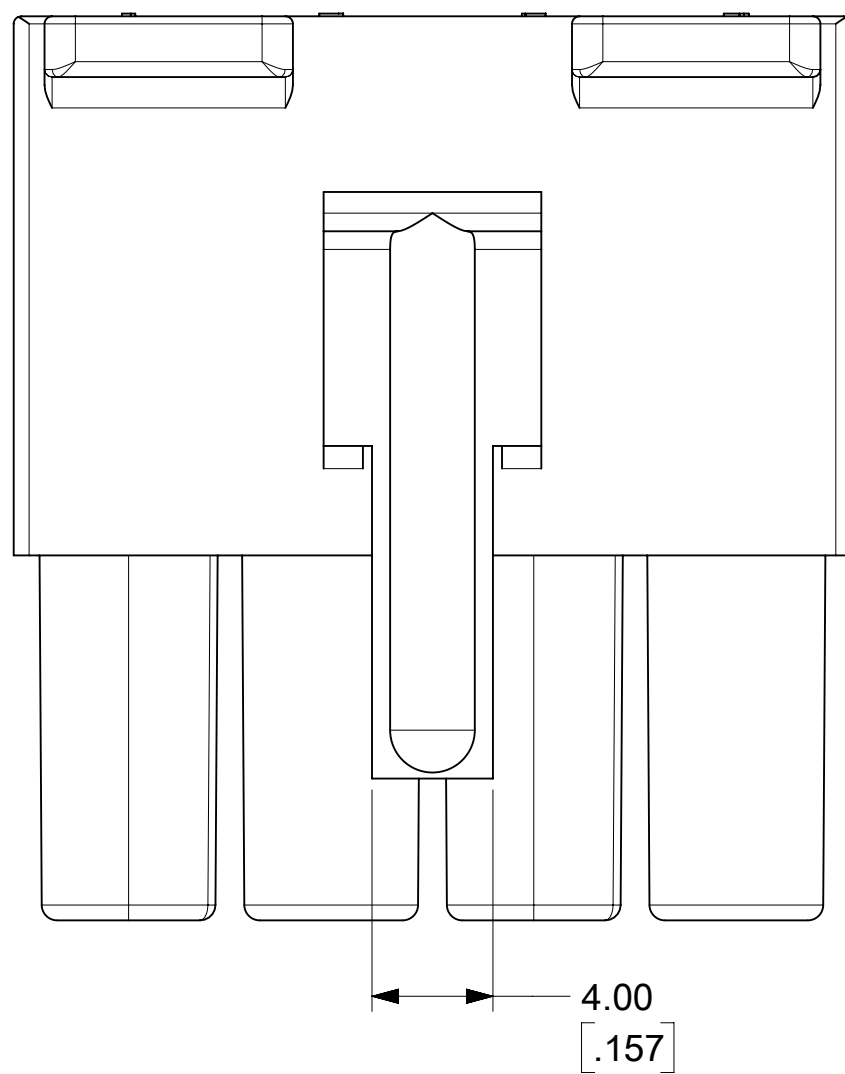
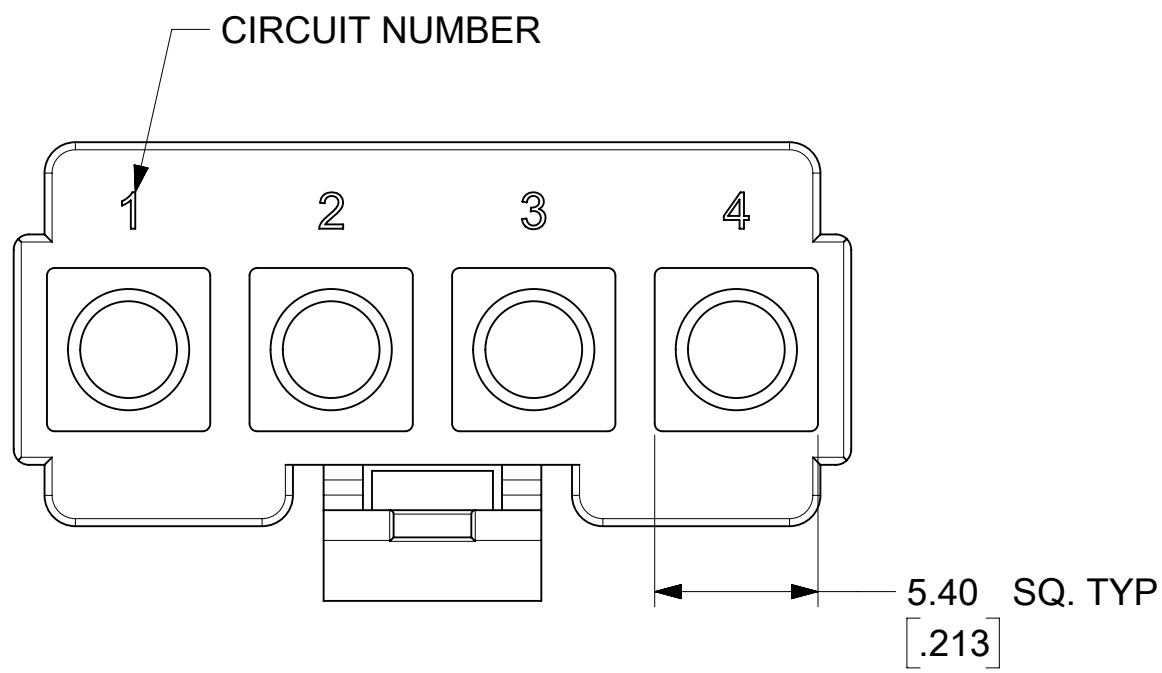
4 CIRCUIT



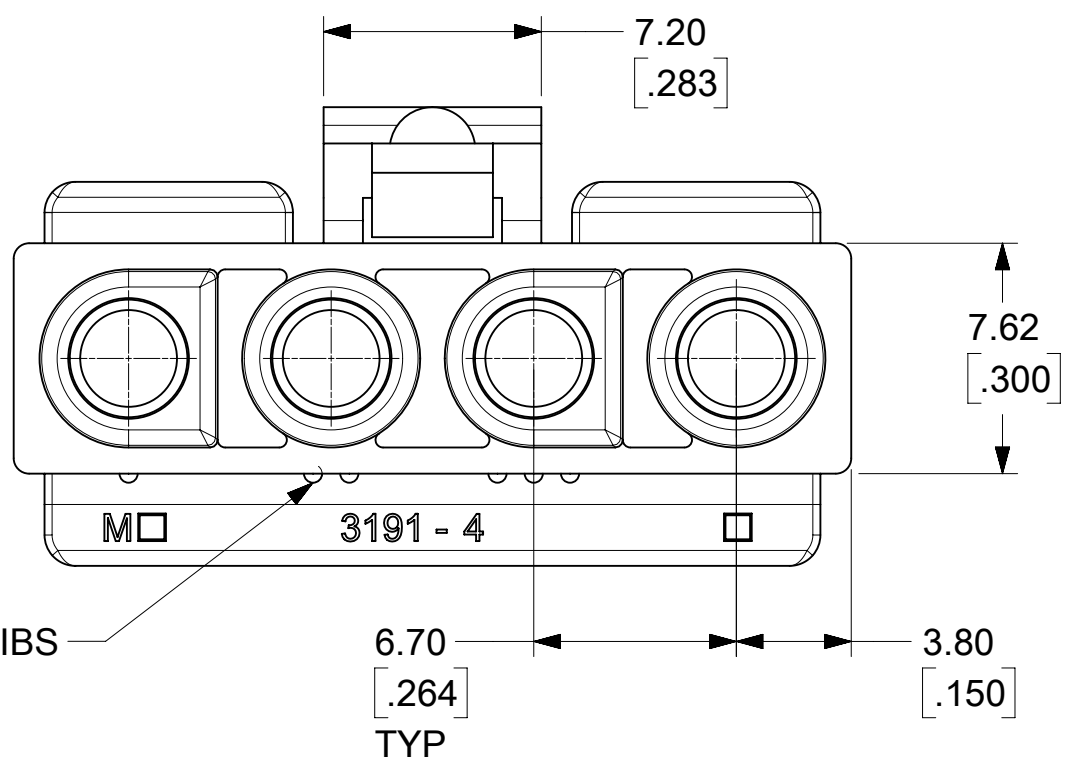
1 CIRCUIT

### PLUG POLARIZATION

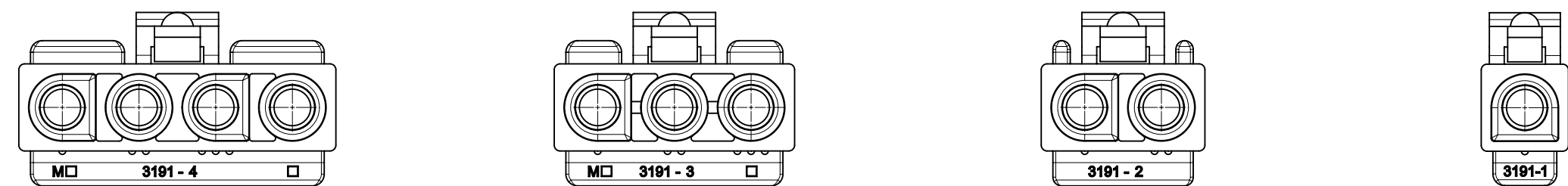
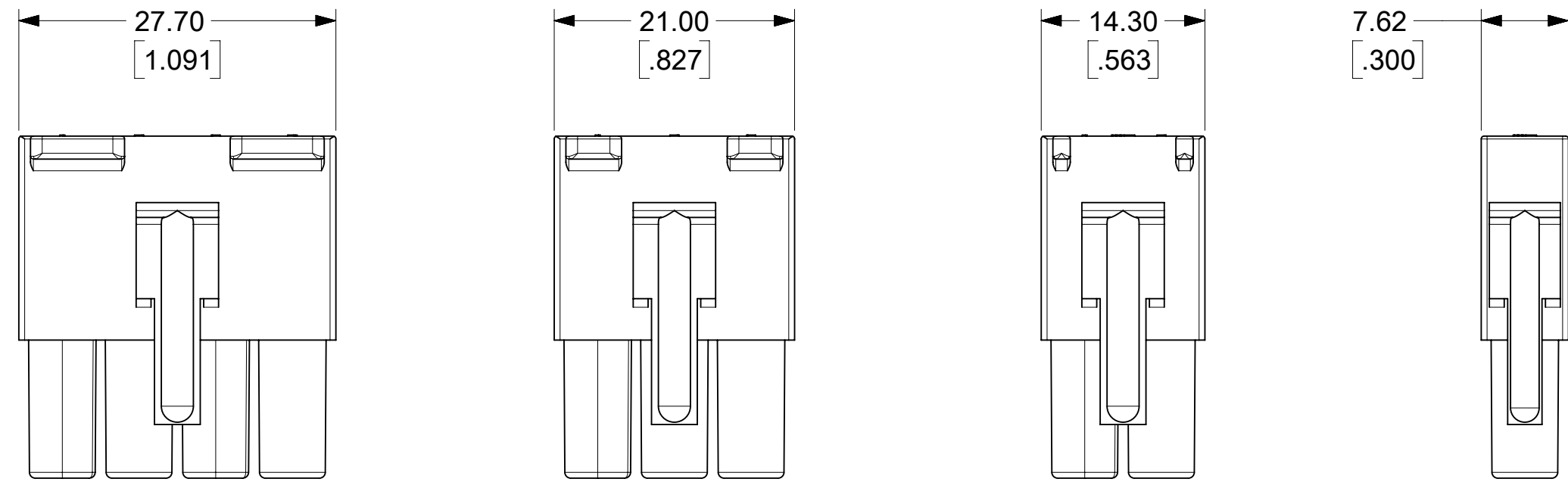
FUNCTIONAL SYMBOLS	THIS DRAWING CONTAINS INFORMATION THAT IS PROPRIETARY TO MOLEX ELECTRONIC TECHNOLOGIES, LLC AND SHOULD NOT BE USED WITHOUT WRITTEN PERMISSION					
	DIMENSION UNITS	SCALE	CURRENT REV DESC: RELEASED			
$F_A = 0$	MM/INCH	2:1				
$F_C = 0$	GENERAL TOLERANCES (UNLESS SPECIFIED)					
$F_P = 0$		MM	INCH			
DIVISIONAL SYMBOLS	4 PLACES	±	±	EC NO: 643927		
	3 PLACES	±	± 0.01	DRWN: MKIPPER 2020/06/02		
	2 PLACES	± 0.25	± 0.015	CHK'D: MKIPPER 2022/10/12		
	1 PLACE	± 0.38	±	APPR: FSMITH 2022/10/14		
	0 PLACES	±	±	INITIAL REVISION:		
	ANGULAR TOL	± °		DRWN: MKIPPER 2020/06/02	DOCUMENT NUMBER	
	DRAFT WHERE APPLICABLE MUST REMAIN WITHIN DIMENSIONS		THIRD ANGLE PROJECTION	APPR: FSMITH 2022/10/14	31910000-SD	
			DRAWING	SERIES	DOC TYPE	
			C-SIZE	3191	PSD	
					000	
					A	
				MATERIAL NUMBER	CUSTOMER	
				SEE CHARTS	GENERAL MARKET	
					SHEET NUMBER	
					2 OF 4	



**RECEPTACLE**



FUNCTIONAL SYMBOLS	THIS DRAWING CONTAINS INFORMATION THAT IS PROPRIETARY TO MOLEX ELECTRONIC TECHNOLOGIES, LLC AND SHOULD NOT BE USED WITHOUT WRITTEN PERMISSION			
	DIMENSION UNITS	SCALE		CURRENT REV DESC: RELEASED
$\frac{F}{A} = 0$	MM/INCH	4:1		EC NO: 643927 DRWN: MKIPPER CHK'D: MKIPPER APPR: FSMITH
$\frac{F}{C} = 0$	GENERAL TOLERANCES (UNLESS SPECIFIED)			
DIVISIONAL SYMBOLS		MM	INCH	2020/06/02
	4 PLACES	±	±	2022/10/12
	3 PLACES	±	± 0.01	2022/10/14
	2 PLACES	± 0.25	± 0.015	
	1 PLACE	± 0.38	±	INITIAL REVISION:
	0 PLACES	±	±	DRWN: MKIPPER 2020/06/02
	ANGULAR TOL	± °		2022/10/14
	DRAFT WHERE APPLICABLE MUST REMAIN WITHIN DIMENSIONS	THIRD ANGLE PROJECTION	DRAWING	SERIES
			C-SIZE	3191
				MATERIAL NUMBER
				31910000-SD
				CUSTOMER
				GENERAL MARKET
				SHEET NUMBER
				3 OF 4

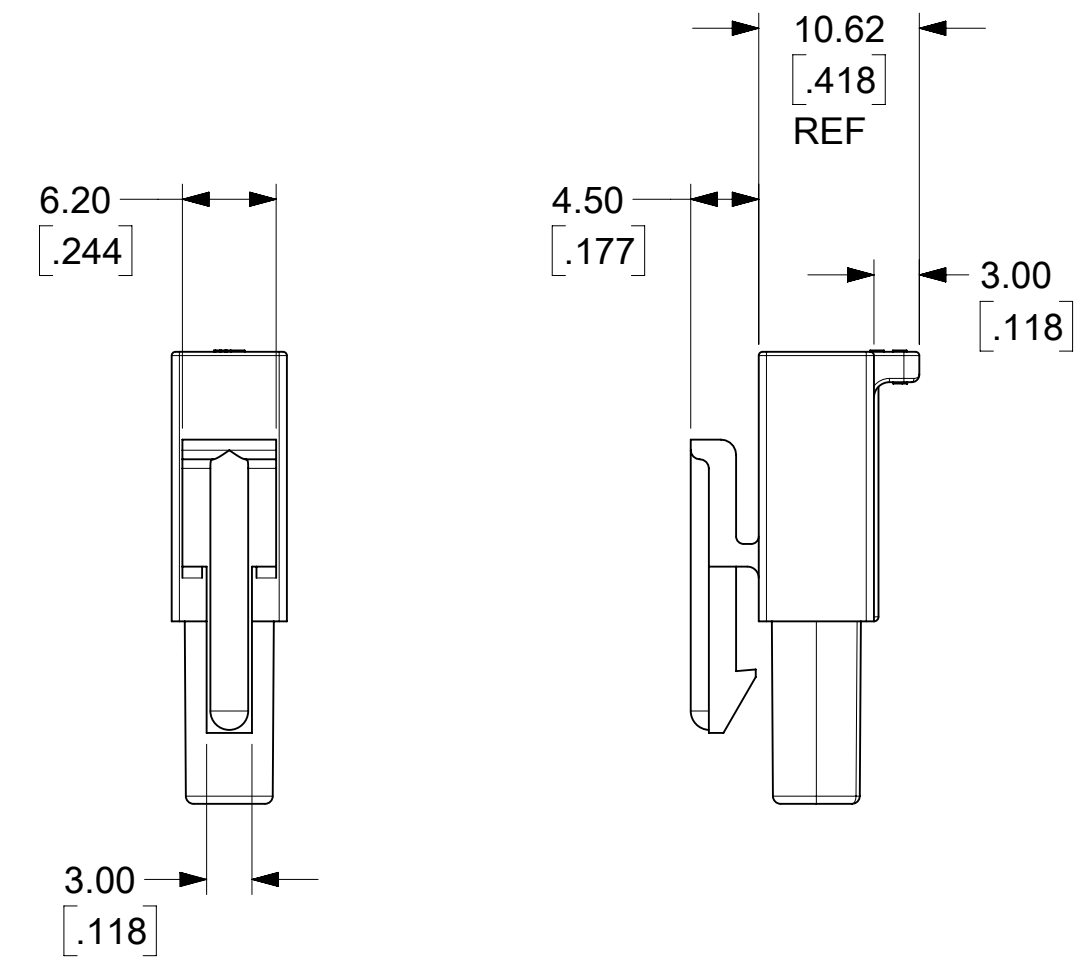


**RECEPTACLE POLARIZATION**

- NOTES:
1. MATERIAL: NYLON TYPE 6/6. SEE CHART FOR COLOR AND UL94 RATING.
  2. FINISH: NONE
  3. PRODUCT SPECIFICATION PS-02-09
  4. PACKAGING SPECIFICATION: SEE CHART
  5. PARTS CONFORM TO CLASS B REQUIREMENTS OF COSMETIC SPECIFICATION PS-45499-002.

THIS DRAWING REPLACES  
SD-3191-1X AND SD-3191-1\*  
SD-3191-2X AND SD-3191-2\*  
SD-3191-3X AND SD-3191-3\*  
SD-3191-4X AND SD-3191-4\*

CIRCUITS	PART NO.	ENG. NO.	MATERIAL	COLOR	PACKAGING	MOUNTING EARS
1	19-09-1019	3191-1R1	UL94V-2	NATURAL	31910002-PK	MOUNTING EARS NOT AVAILABLE ON RECEPTACLES
	19-09-1016	3191-1R1-201	UL94V-0	IVORY	31910002-PK	
	19-09-6011	3191-1R1BU	UL94V-2	BLUE	TBD	
2	19-09-1029	3191-2R1	UL94V-2	NATURAL	31910002-PK	
	19-09-1026	3191-2R1-201	UL94V-0	IVORY	31910002-PK	
3	19-09-1039	3191-3R1	UL94V-2	NATURAL	31910001-PK	
	19-09-1036	3191-3R1-201	UL94V-0	IVORY	31910002-PK	
	19-09-5039	3191-3R1-2	UL94V-0	WHITE	31910001-PK	
4	19-09-1049	3191-4R1	UL94V-2	NATURAL	31910001-PK	
	19-09-1046	3191-4R1-201	UL94V-0	IVORY	31910002-PK	



THESE DIMENSIONS APPLY TO 1 CIRCUIT RECEPTACLES ONLY

FUNCTIONAL SYMBOLS $\frac{F}{A} = 0$ $\frac{F}{C} = 0$ $\frac{F}{P} = 0$ DIVISIONAL SYMBOLS	THIS DRAWING CONTAINS INFORMATION THAT IS PROPRIETARY TO MOLEX ELECTRONIC TECHNOLOGIES, LLC AND SHOULD NOT BE USED WITHOUT WRITTEN PERMISSION		CURRENT REV DESC: RELEASED	
	DIMENSION UNITS	SCALE	EC NO: 643927	
	MM/INCH	2:1	DRWN: MKIPPER	2020/06/02
	GENERAL TOLERANCES (UNLESS SPECIFIED)		CHK'D: MKIPPER	2022/10/12
4 PLACES ±		APPR: FSMITH	2022/10/14	
3 PLACES ± 0.01		INITIAL REVISION:		
2 PLACES ± 0.25 ± 0.015		DRWN: MKIPPER	2020/06/02	
1 PLACE ± 0.38 ±		APPR: FSMITH	2022/10/14	
0 PLACES ±		THIRD ANGLE PROJECTION		
ANGULAR TOL ± °		DRAWING	SERIES	
DRAFT WHERE APPLICABLE MUST REMAIN WITHIN DIMENSIONS		C-SIZE	3191	

DOCUMENT NUMBER		DOC TYPE	DOC PART	REVISION
31910000-SD		PSD	000	A
MATERIAL NUMBER	CUSTOMER	SHEET NUMBER		
SEE CHARTS	GENERAL MARKET	4 OF 4		

PLUG		RECEPTACLE		
PART NO.	ENG. NO.	PART NO.	ENG. NO.	
19-09-2018	3191-IP	19-09-1019	3191-IR1	
19-09-2019	3191-IP1	19-09-1016	3191-IR1-201	
19-09-2017	3191-IP-201	19-09-6010	3191-IR1RD	OBSOLETE
19-09-2016	3191-IP1-201	19-09-6011	3191-IR1BU	
19-09-2015	3191-IPRD			

**LEGEND**

3191-1\*\*\*\*-\*

CIRCUIT SIZE

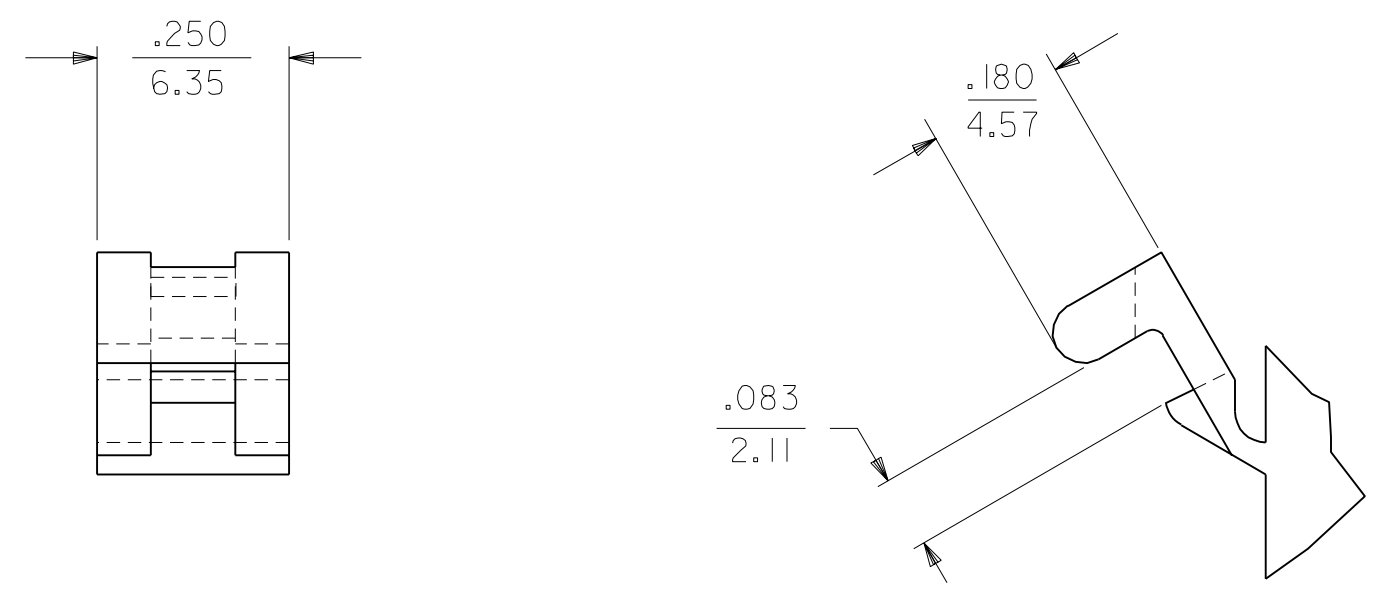
P = PLUG  
R = RECEPTACLE

EARS: BLANK = WITH PREBENT EARS (PLUG ONLY)  
I = WITHOUT EARS

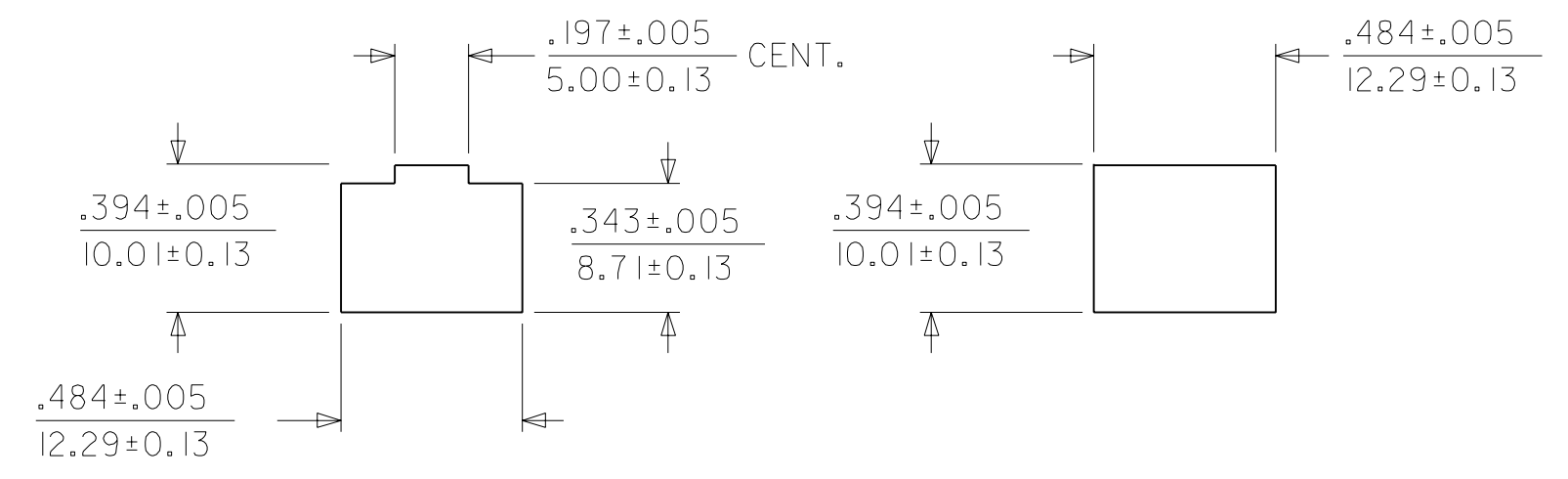
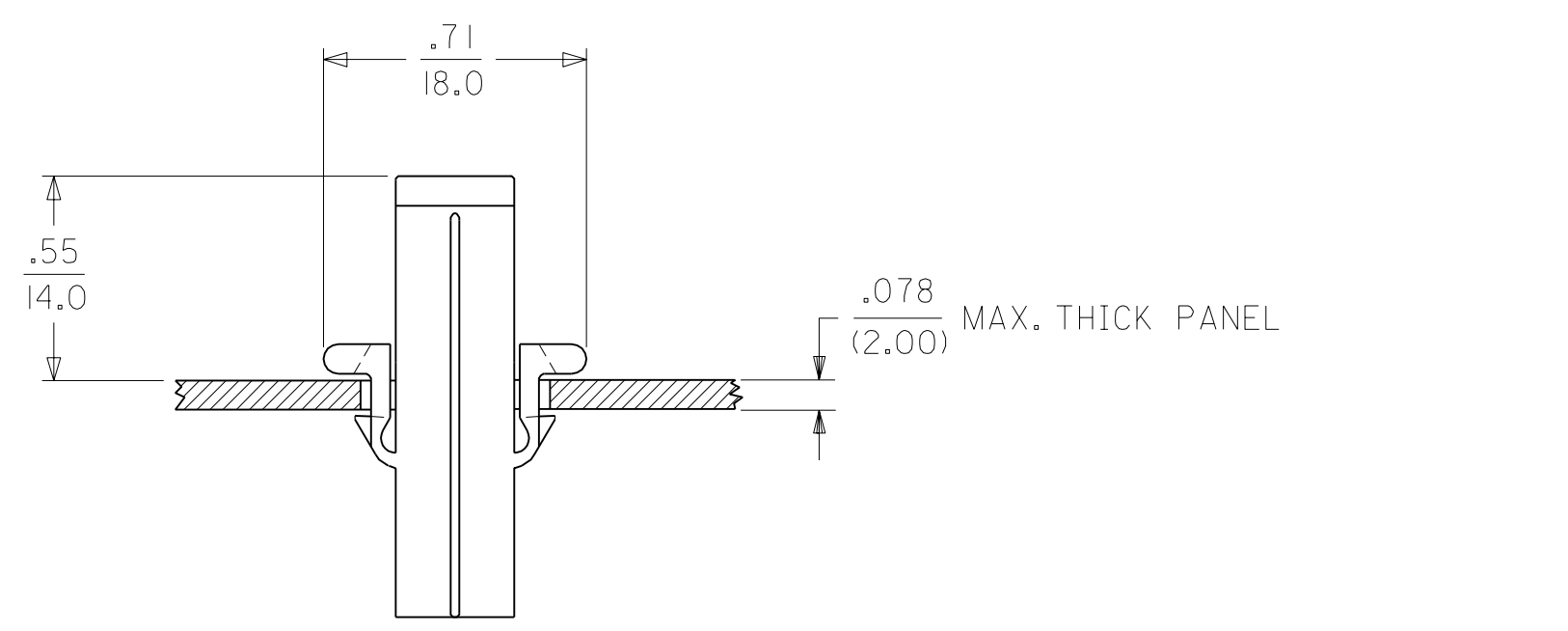
COLOR: BLANK = NATURAL COLOR

AM=AMBER BK=BLACK BU=BLUE  
BN=BROWN GY=GRAY GN=GREEN  
OR=ORANGE RD=RED YW=YELLOW

MATERIAL: PER NOTE 1.



**DETAIL "A"**  
PREBENT MOUNTING EAR  
(SCALE 4:1)



**NOTES:**

- MATERIAL:  
"BLANK" - NYLON TYPE 6/6, 94V-2. COLOR: NATURAL.  
201 - NYLON TYPE 6/6, 94V-0. COLOR: WHITE.
- FINISH: NONE.

DIMENSIONS SHOWN (METRIC) INCH	
UNLESS OTHERWISE SPECIFIED TOLERANCES: ANGULAR ± 10°	
3 PLACE	± .010
2 PLACE	± .014 ± 0.25
1 PLACE	± 0.36

▽ = 0    ▼ = 0    REVISE ONLY ON CAD SYSTEM

TITLE: .093/(2.36) HOUSINGS PLUG AND RECEPTACLE 1 CIRCUIT

MOLEX INCORPORATED SHEET NO. 2 DATE 06/10/03  
LISLE, ILL. 60532 U.S.A.

PART NO. SD-3191-1\* DRWG. NO.

SEE CHART

FILE NAME: H3191X2 DGN  
THIS DRAWING CONTAINS INFORMATION THAT IS PROPRIETARY TO MOLEX INC. AND SHOULD NOT BE USED WITHOUT WRITTEN PERMISSION.

DIV. CP SIZE C

LTR.	REVISIONS	LTR.	REVISIONS
		E	SEE SHEET 1
		D4	SEE SHEET 1
DRWG. BY	JBS	CHK'D. BY	BW
APP'D. BY	BW	SCALE	---