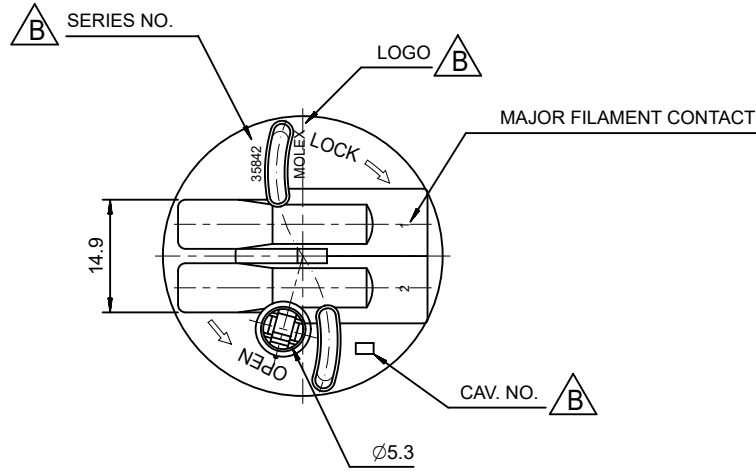


- NOTES  
 1. FOCAL LENGTH = 31.8mm  
 2. PRODUCT SPECIFICATION: PS-35842-001  
 3. APPLICABLE BULB CAP: P21/4W(BAZ15d)  
 4. MATES WITH

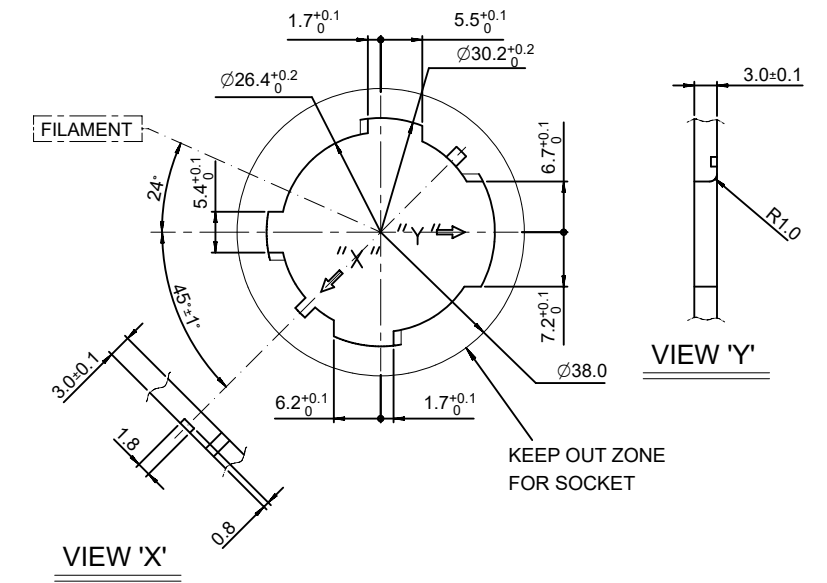
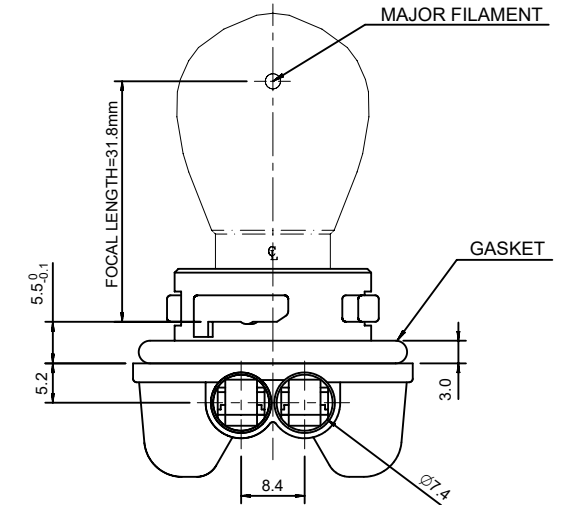
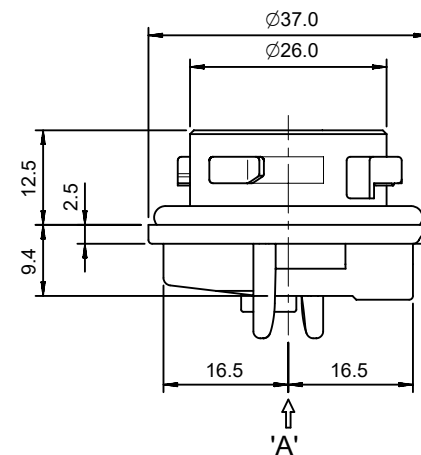
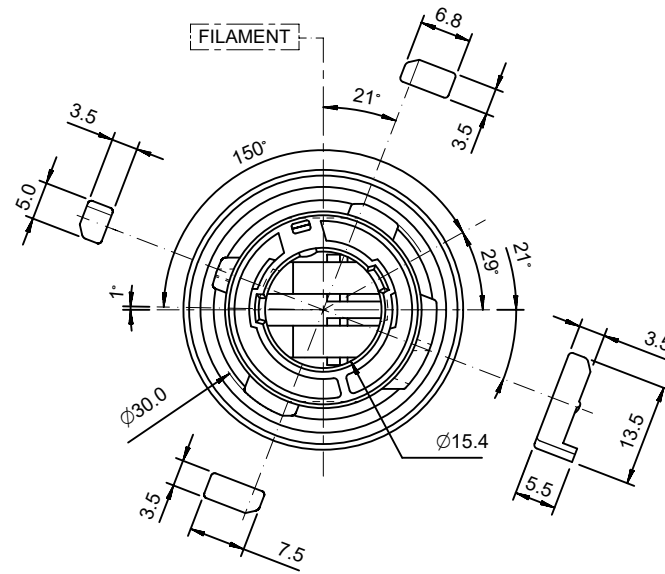
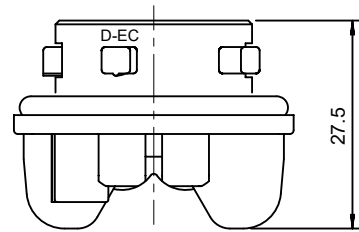
NO.	DESCRIPTION	MATERIAL	ORDER NO.	REMARK
③	POSITIVE TERMINAL	PHOSPHOR BRONZE	35464-8000	UNPLATED
④	POSITIVER WIRE SEAL	SILICONE	35903-0096	BROWN
⑤	EARTH TERMINAL	PHOSPHOR BRONZE	35465-8000	UNPLATED
⑥	EARTH WIRE SEAL	SILICONE	35903-0106	BLUE

<PART LIST>

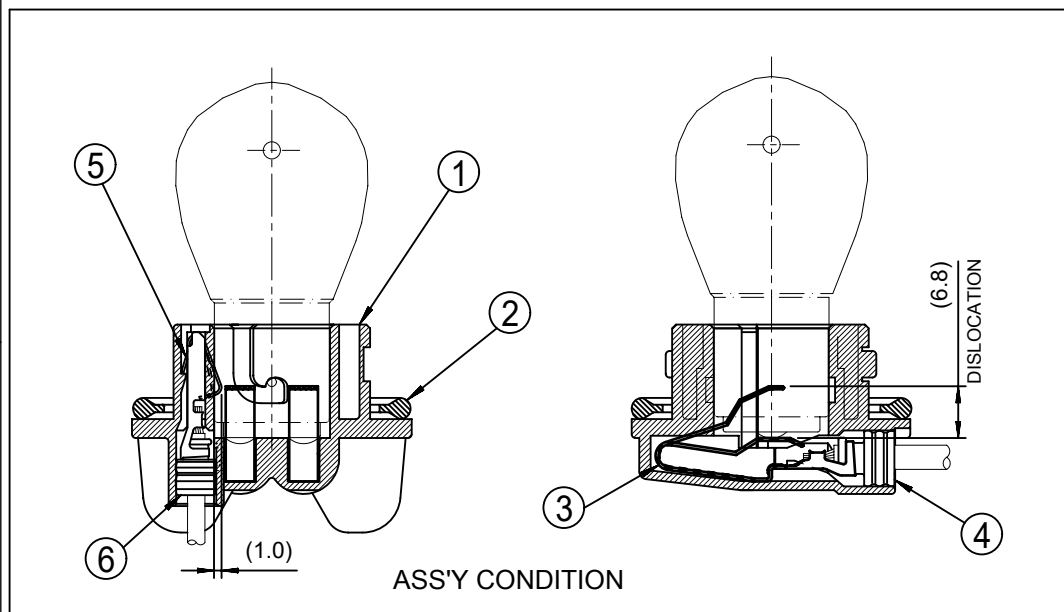
NO.	DESCRIPTION	MATERIAL	USAGE	REMARK
①	DOUBLE SOCKET	PA66 M/F	1	EC TYPE
②	SEAL GASKET	NBR	1	BLACK



VIEW 'A'



MOUNTING INTERFACE  
(MI-4)



ASS'Y CONDITION

<TABLE 1>

MATERIAL NO.	ORDER NO.	COLOR
358421335	35842-1335	GRAY

THIS DRAWING CONTAINS INFORMATION THAT IS PROPRIETARY TO MOLEX ELECTRONIC TECHNOLOGIES, LLC AND SHOULD NOT BE USED WITHOUT WRITTEN PERMISSION											
DIMENSION UNITS		SCALE		CURRENT REV DESC: RETRACTION AS PER SALES FORCE CASE#175686							
mm		1:1									
GENERAL TOLERANCES (UNLESS SPECIFIED)											
		MM		INCH		EC NO: 670388		2021/07/15		SEALD PT BULB SOCKET DOUBLE HOUSING ASS'Y (EC-TYPE)	
4 PLACES		±		±		DRWN: SUGEEB		2021/07/16		PRODUCT CUSTOMER DRAWING	
3 PLACES		±		±		CHK'D: GGA		2021/07/16		DOCUMENT NUMBER	
2 PLACES		± 0.15		±		APPR: GGA		2021/07/16		DOC TYPE DOC PART REVISION	
1 PLACE		± 0.25		±		INITIAL REVISION:		2009/07/20		SD-35842-003	
0 PLACES		±		±		DRWN: EOKIM		2009/07/20		PSD 001 D	
ANGULAR TOL		± 2.0°		±		APPR: EHJUNG		2009/07/20		MATERIAL NUMBER	
DRAFT WHERE APPLICABLE MUST REMAIN WITHIN DIMENSIONS				THIRD ANGLE PROJECTION		DRAWING		SERIES		CUSTOMER	
						A3-SIZE		35842		SEE TABLE GENERAL MARKET	
										SHEET NUMBER	
										1 OF 1	