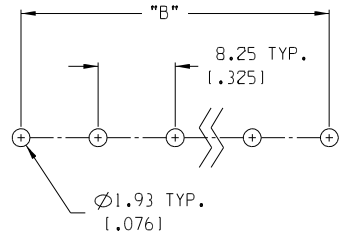
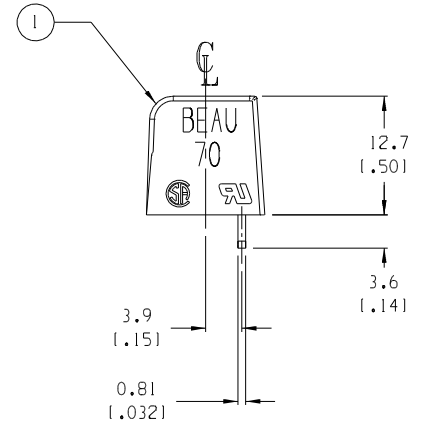
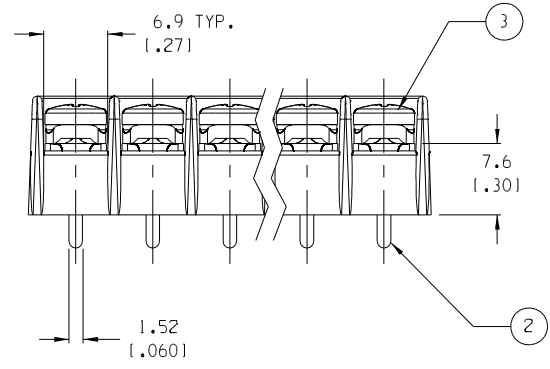
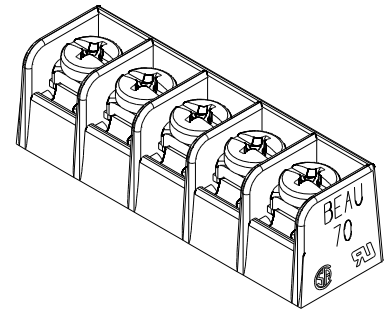
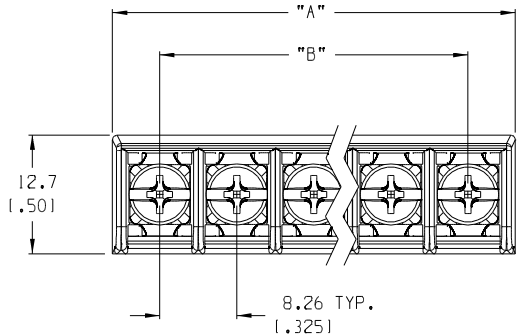


NUMBER OF CIRCUITS "XX"	DIM "A"	DIM "B"	ASSEMBLY MATERIAL NO.
02	18.5 (.73)	8.26 (.325)	
03	26.9 (1.06)	16.51 (.650)	
04	35.1 (1.38)	24.77 (.975)	
05	43.2 (1.70)	33.02 (1.300)	
06	51.2 (2.03)	41.28 (1.625)	
07	59.7 (2.35)	49.53 (1.950)	
08	68.1 (2.68)	57.79 (2.275)	
09	76.2 (3.00)	66.04 (2.600)	
10	84.6 (3.33)	74.30 (2.925)	
11	92.7 (3.65)	82.55 (3.250)	
12	101.0 (3.98)	90.81 (3.575)	
13	109.2 (4.30)	99.06 (3.900)	
14	117.5 (4.63)	107.32 (4.225)	387090458
15	125.7 (4.95)	115.57 (4.550)	
16	134.0 (5.28)	123.83 (4.875)	



PTH PATTERN

NOTES:

1. MATERIAL: SEE TABLE
2. FINISHES: SEE TABLE
3. PRODUCT SPECIFICATION: NOT REQUIRED
4. PACKAGING: NOT REQUIRED
5. MATES WITH: NONE
6. "XX" REFERS TO THE QUANTITY OF CIRCUITS.

ITEM	QTY.	DESCRIPTION	MATERIAL	FINISH
3	5	SCREW, #6-32X.250, PHIL-SLOT W/SO. WASHER	BRASS	NICKEL PLATE
2	5	TERMINAL, PC	BRASS	TIN PLATE
1	1	INSULATOR, SR, CS	PBT	BLACK

EC NO. RELEASED DRAWN: CLY CH'K: APPR: A	DESCRIPTION MAJOR CRITICAL SPC S	GENERAL TOLERANCES: (UNLESS SPECIFIED) mm INCH 4 PLACES ±.0015 3 PLACES ±.038 ±.005 2 PLACES ±.13 ±.01 1 PLACE ±.3		SCALE: 2:1 DESIGN UNITS: <input type="checkbox"/> mm <input checked="" type="checkbox"/> INCH	DRAWN BY & DATE: C. YORK 06-24-05 CHECKED BY & DATE: APPROVED BY & DATE:	PROJECT NO.: DIMENSIONS: <input checked="" type="checkbox"/> mm <input type="checkbox"/> INCH <input type="checkbox"/> mm ONLY SHT: REV:
		ANGULAR: ±2° DRAFT WHERE APPLICABLE MUST REMAIN WITHIN DIMENSIONS		CAD FILENAME: 70R5XX-C-49-50 MATERIAL NO.: 38709-0231 DRAWING NO.: SD-38709-008 SHEET NO.: 1 OF 1	TITLE: 8.26mm (.325") SR, CS BTS ASSY, PC, -49-50 SCREW MOLEX INCORPORATED	
		THIS DRAWING CONTAINS INFORMATION THAT IS PROPRIETARY TO MOLEX INCORPORATED AND SHOULD NOT BE USED WITHOUT WRITTEN PERMISSION.				SIZE B