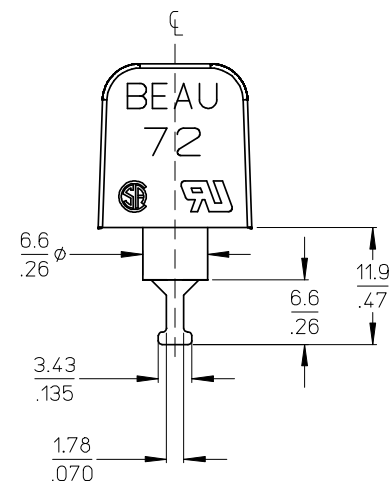
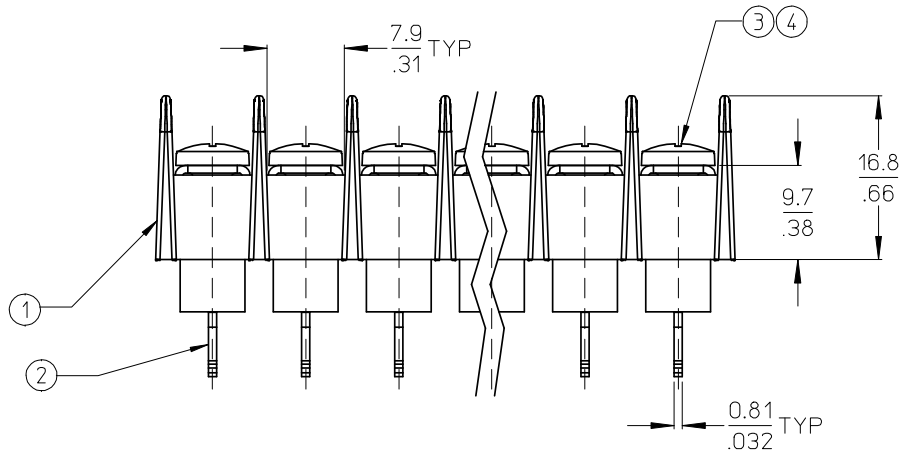
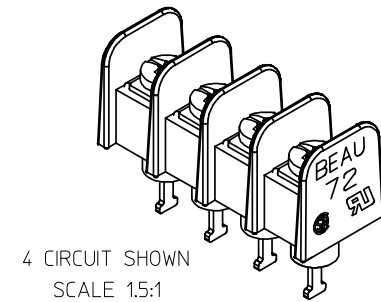
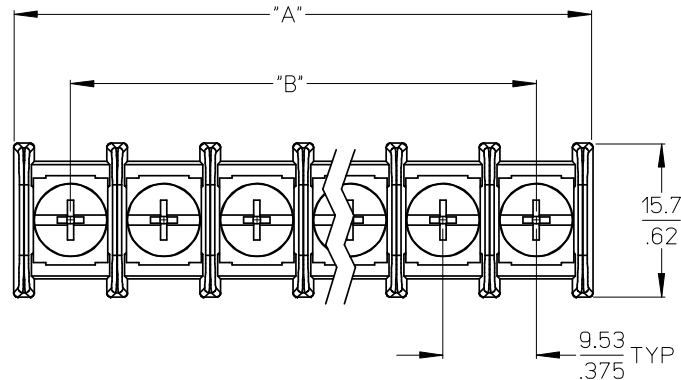


REF. -50 OPT. SCREW  
(WHERE APPLICABLE)



NOTES:

- 1. MATERIAL: SEE TABLE.
- 2. FINISHES: SEE TABLE.
- 3. PRODUCT SPECIFICATION: NOT REQUIRED.
- 4. ROHS COMPLIANT.

ITEM	QTY.	DESCRIPTION	MATERIAL	FINISH
5	XX	SCREW/WASHER, #6-32X.250 PAN PH/SL (-50 OPT)	STEEL	ZN, CLEAR CHROMATE
4	XX	SCREW, #6-32X.250 BHD PH/SL (-49 OPT)	BRASS	NICKEL PLATE
3	XX	SCREW, #6-32X.250 BHD PH/SL (STANDARD)	STEEL	ZN, CLEAR CHROMATE
2	XX	TERMINAL, TURRET	BRASS	TIN PLATE
1	1	SR BTS INSULATOR	POLYESTER (PBT)	BLACK

INITIAL RELEASE  
 EC NO: WNA2008-0402  
 DRAWN: ENC INAS 2008/07/28  
 CHKD: CYORK 2008/08/15  
 APPR: JMACNEIL 2008/08/15

QUALITY SYMBOLS  
 ▽=0  
 ▽=0

GENERAL TOLERANCES (UNLESS SPECIFIED)

	mm	INCH
4 PLACES	± ---	± ---
3 PLACES	± ---	± .005
2 PLACES	± 0.13	± .01
1 PLACE	± 0.3	± ---

ANGULAR ± 2 °

DRAFT WHERE APPLICABLE  
 MUST REMAIN  
 WITHIN DIMENSIONS

DIMENSION STYLE  
**MM/IN**

SCALE  
**2:1**

DESIGN UNITS  
 INCH

THIRD ANGLE PROJECTION

DRAWN BY: J. ENCINAS DATE: 2008/07/22  
 CHECKED BY: C. YORK DATE: 2008/07/24  
 APPROVED BY: J. MACNEIL DATE: 2008/07/24

TITLE  
**9.53MM [.375"] SR BTS  
 ASSY, INSULATED TURRET  
 TERM. NO MTG. ENDS**

MATERIAL NO.  
**SEE SHT. 2**

DOCUMENT NO.  
**SD-38720-012**

SHEET NO.  
**1 OF 2**

THIS DRAWING CONTAINS INFORMATION THAT IS PROPRIETARY TO MOLEX INCORPORATED AND SHOULD NOT BE USED WITHOUT WRITTEN PERMISSION

# OF CIRCUITS "XX"	DIM. "A"		DIM. "B"		ASSEMBLY MATERIAL NO. (STD OPT)	ASSEMBLY MATERIAL NO. (-49 OPT)	ASSEMBLY MATERIAL NO. (-50 OPT)
	mm	in	mm	in			
02	21.1	0.83	9.53	0.375	387203302	387203602	387203902
03	30.6	1.21	19.05	0.750	387203303	387203603	387203903
04	40.1	1.58	28.58	1.125	387203304	387203604	387203904
05	49.7	1.96	38.10	1.500	387203305	387203605	387203905
06	59.2	2.33	47.63	1.875	387203306	387203606	387203906
07	68.7	2.71	57.15	2.250	387203307	387203607	387203907
08	78.2	3.08	66.68	2.625	387203308	387203608	387203908
09	87.8	3.46	76.20	3.000	387203309	387203609	387203909
10	97.3	3.83	85.73	3.375	387203310	387203610	387203910
11	106.8	4.21	95.25	3.750	387203311	387203611	387203911
12	116.3	4.58	104.78	4.125	387203312	387203612	387203912
13	125.9	4.96	114.30	4.500	387203313	387203613	387203913
14	135.4	5.33	123.83	4.875	387203314	387203614	387203914
15	144.9	5.71	133.35	5.250	387203315	387203615	387203915
16	154.4	6.08	142.88	5.625	387203316	387203616	387203916
17	164.0	6.46	152.40	6.000	387203317	387203617	387203917
18	173.5	6.83	161.93	6.375	387203318	387203618	387203918
19	183.0	7.21	171.45	6.750	387203319	387203619	387203919
20	192.5	7.58	180.98	7.125	387203320	387203620	387203920
21	202.1	7.96	190.50	7.500	387203321	387203621	387203921
22	211.6	8.33	200.03	7.875	387203322	387203622	387203922
23	221.1	8.71	209.55	8.250	387203323	387203623	387203923
24	230.6	9.08	219.08	8.625	387203324	387203624	387203924
25	240.2	9.46	228.60	9.000	387203325	387203625	387203925
26	249.7	9.83	238.13	9.375	387203326	387203626	387203926

SEE SHEET 1 EC NO: WNA2008-0402 DRWN: JENCINAS 2008/07/28 CHKD: CYORK 2008/08/15 APPR: JMACNEIL 2008/08/15 A	DESCRIPTION REV	QUALITY SYMBOLS ▽=0 ▽=0	GENERAL TOLERANCES (UNLESS SPECIFIED) mm INCH 4 PLACES ± --- ± --- 3 PLACES ± --- ± .005 2 PLACES ± 0.13 ± .01 1 PLACE ± 0.3 ± --- ANGULAR ± 2 °	DIMENSION STYLE MM/IN DRAWN BY DATE J. ENCINAS 2008/07/22 CHECKED BY DATE C. YORK 2008/07/24 APPROVED BY DATE J. MACNEIL 2008/07/24	SCALE 2:1 DESIGN UNITS INCH THIRD ANGLE PROJECTION	TITLE 9.53MM [.375] SR BTS ASSY, INSULATED TURRET TERM. NO MTG. ENDS MOLEX INCORPORATED	MATERIAL NO. SEE CHART DOCUMENT NO. SD-38720-012 SHEET NO. 2 OF 2	
		DRAFT WHERE APPLICABLE MUST REMAIN WITHIN DIMENSIONS			THIS DRAWING CONTAINS INFORMATION THAT IS PROPRIETARY TO MOLEX INCORPORATED AND SHOULD NOT BE USED WITHOUT WRITTEN PERMISSION			