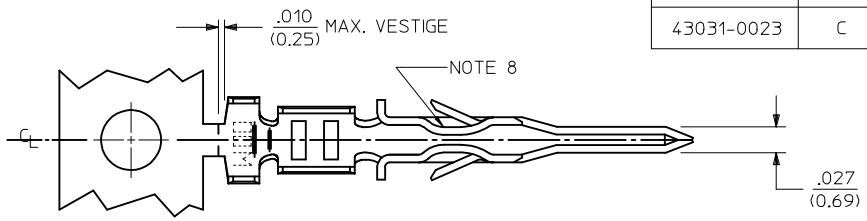
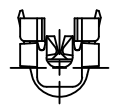
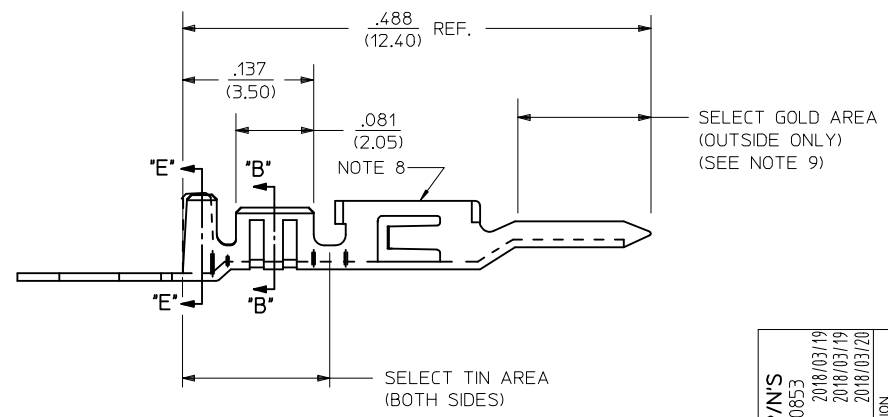


WIRE SIZE	MAX. INSULATION
18 OR 0.75mm <sup>2</sup> (SEE NOTE 11)	.073/(1.85)
20-24	.073/(1.85)
26-30	.050/(1.27)

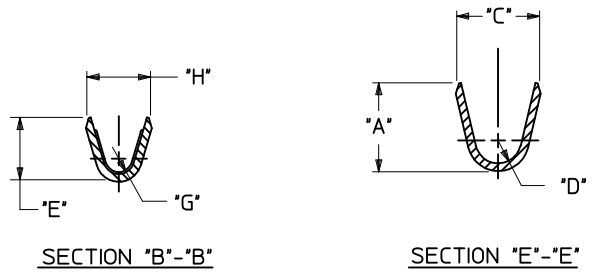
ITEM NUMBER	PLATING OPTION	WIRE SIZE	ASSEMBLY OPTION	"A" ±.016 (±0.41)	"C" ±.012 (±0.30)	"D" ±.005 (±0.13)	"E" ±.016 (±0.41)	"G" ±.005 (±0.13)	"H" ±.012 (±0.30)
43031-0001	A	20-24	CHAIN	.090/(2.29)	.100/(2.54)	.030/(0.76) R.	.075/(1.91)	.025/(0.64) R.	.082/(2.08)
43031-0002	B	20-24	CHAIN	.090/(2.29)	.100/(2.54)	.030/(0.76) R.	.075/(1.91)	.025/(0.64) R.	.082/(2.08)
43031-0003	C	20-24	CHAIN	.090/(2.29)	.100/(2.54)	.030/(0.76) R.	.075/(1.91)	.025/(0.64) R.	.082/(2.08)
43031-0004	A	26-30	CHAIN	.075/(1.91)	.083/(2.10)	.025/(0.64) R.	.058/(1.47)	.020/(0.51) R.	.065/(1.65)
43031-0005	B	26-30	CHAIN	.075/(1.91)	.083/(2.10)	.025/(0.64) R.	.058/(1.47)	.020/(0.51) R.	.065/(1.65)
43031-0006	C	26-30	CHAIN	.075/(1.91)	.083/(2.10)	.025/(0.64) R.	.058/(1.47)	.020/(0.51) R.	.065/(1.65)
43031-0007	A	20-24	LOOSE	.090/(2.29)	.100/(2.54)	.030/(0.76) R.	.075/(1.91)	.025/(0.64) R.	.082/(2.08)
43031-0008	B	20-24	LOOSE	.090/(2.29)	.100/(2.54)	.030/(0.76) R.	.075/(1.91)	.025/(0.64) R.	.082/(2.08)
43031-0009	C	20-24	LOOSE	.090/(2.29)	.100/(2.54)	.030/(0.76) R.	.075/(1.91)	.025/(0.64) R.	.082/(2.08)
43031-0010	A	26-30	LOOSE	.075/(1.91)	.083/(2.10)	.025/(0.64) R.	.058/(1.47)	.020/(0.51) R.	.065/(1.65)
43031-0011	B	26-30	LOOSE	.075/(1.91)	.083/(2.10)	.025/(0.64) R.	.058/(1.47)	.020/(0.51) R.	.065/(1.65)
43031-0012	C	26-30	LOOSE	.075/(1.91)	.083/(2.10)	.025/(0.64) R.	.058/(1.47)	.020/(0.51) R.	.065/(1.65)
43031-0021	A	18 OR 0.75mm <sup>2</sup> (SEE NOTE 11)	CHAIN	.090/(2.29)	.100/(2.54)	.030/(0.76) R.	.086/(2.18)	.029/(0.74) R.	.094/(2.39)
43031-0022	B	18 OR 0.75mm <sup>2</sup> (SEE NOTE 11)	CHAIN	.090/(2.29)	.100/(2.54)	.030/(0.76) R.	.086/(2.18)	.029/(0.74) R.	.094/(2.39)
43031-0023	C	18 OR 0.75mm <sup>2</sup> (SEE NOTE 11)	CHAIN	.090/(2.29)	.100/(2.54)	.030/(0.76) R.	.086/(2.18)	.029/(0.74) R.	.094/(2.39)



- NOTES:
- MATERIAL: PHOSPHOR BRONZE ALLOY
  - TERMINAL PLATING:  
 "A" = HOT TIN DIP: .000040/(0.00102) MIN.  
 "B" = .000015/(0.00038) MIN. SELECT GOLD  
 .000100/(0.00254) MIN. SELECT TIN  
 OVER .000050/(0.00127) MIN. NICKEL  
 "C" = .000030/(0.00076) MIN. SELECT GOLD  
 .000100/(0.00254) MIN. SELECT TIN  
 OVER .000050/(0.00127) MIN. NICKEL  
 \* MATERIAL NUMBERS WITH SELECT PLATING ARE  
 POST-PLATED AFTER FORMING
  - PRODUCT SPECIFICATION: PS-43045, PS-43650, PS-44300-001.
  - PACKAGING SPECIFICATION: PK-43031-001 (REEL), AND PK-43030-003 (LOOSE).
  - TERMINAL FOR USE IN MICRO FIT PLUG SERIES 43020, 43640, 44300, AND 46625.
  - FOR TERMINAL ORIENTATION IN PLUG SEE DRAWINGS FOR PLUG HOUSINGS.
  - THIS TERMINAL IS DESIGNED IN METRIC.
  - TERMINAL MAY HAVE AN INWARD OR OUTWARD FORMED SHAPE IN THIS AREA.
  - SOME GOLD MAY BE PRESENT ON INSIDE SURFACE.
  - TEXT ON PART IS FOR REFERENCE ONLY. TEXT AND TEXT LOCATION MAY VARY DEPENDING ON PART NUMBER AND/OR TOOL.
  - PART NUMBERS FOR 18 AWG OR 0.75 mm<sup>2</sup> ARE DESIGNED FOR 1061 STYLE WIRE OR A .073/1.85 MAXIMUM INSULATION OUTSIDE DIAMETER.

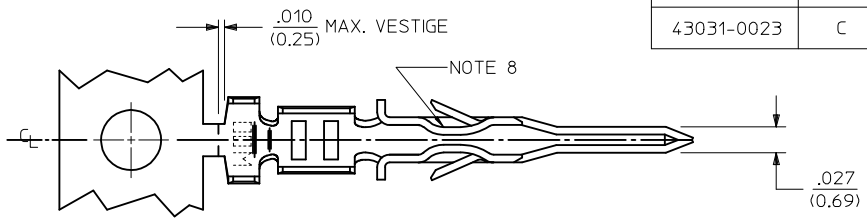


ADD 18AWG P/N'S EC NO: UCP2018-0853 DRWNS:SSOUSEK 2018/03/19 CHKD:JBELL 2018/03/19 APPR:FSMITH 2018/03/20	QUALITY SYMBOLS ∇=0 ∇=0 ∇=0	GENERAL TOLERANCES (UNLESS SPECIFIED)		DIMENSION STYLE		SCALE	DESIGN UNITS	THIRD ANGLE PROJECTION			
				IN/MM			METRIC				
				mm	INCH	DRAWN BY	DATE	TITLE			
				4 PLACES ± ---	± ---	MUELLER	2002/08/13	MICRO-FIT (3.0) MALE TERMINAL			
REV K2	DESCRIPTION	ANGULAR ±1/2°		MATERIAL NO.		DOCUMENT NO.		SHEET NO.			
		DRAFT WHERE APPLICABLE MUST REMAIN WITHIN DIMENSIONS		SEE CHART		SD-43031-****		1 OF 1			
				SIZE C		THIS DRAWING CONTAINS INFORMATION THAT IS PROPRIETARY TO MOLEX INCORPORATED AND SHOULD NOT BE USED WITHOUT WRITTEN PERMISSION					

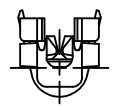
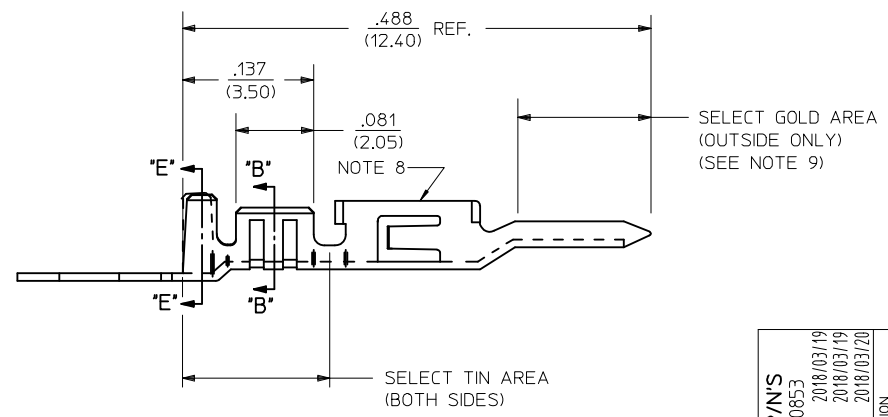


WIRE SIZE	MAX. INSULATION
18 OR 0.75mm <sup>2</sup> (SEE NOTE 11)	.073/(1.85)
20-24	.073/(1.85)
26-30	.050/(1.27)

ITEM NUMBER	PLATING OPTION	WIRE SIZE	ASSEMBLY OPTION	"A" ±.016 (±0.41)	"C" ±.012 (±0.30)	"D" ±.005 (±0.13)	"E" ±.016 (±0.41)	"G" ±.005 (±0.13)	"H" ±.012 (±0.30)
43031-0001	A	20-24	CHAIN	.090/(2.29)	.100/(2.54)	.030/(0.76) R.	.075/(1.91)	.025/(0.64) R.	.082/(2.08)
43031-0002	B	20-24	CHAIN	.090/(2.29)	.100/(2.54)	.030/(0.76) R.	.075/(1.91)	.025/(0.64) R.	.082/(2.08)
43031-0003	C	20-24	CHAIN	.090/(2.29)	.100/(2.54)	.030/(0.76) R.	.075/(1.91)	.025/(0.64) R.	.082/(2.08)
43031-0004	A	26-30	CHAIN	.075/(1.91)	.083/(2.10)	.025/(0.64) R.	.058/(1.47)	.020/(0.51) R.	.065/(1.65)
43031-0005	B	26-30	CHAIN	.075/(1.91)	.083/(2.10)	.025/(0.64) R.	.058/(1.47)	.020/(0.51) R.	.065/(1.65)
43031-0006	C	26-30	CHAIN	.075/(1.91)	.083/(2.10)	.025/(0.64) R.	.058/(1.47)	.020/(0.51) R.	.065/(1.65)
43031-0007	A	20-24	LOOSE	.090/(2.29)	.100/(2.54)	.030/(0.76) R.	.075/(1.91)	.025/(0.64) R.	.082/(2.08)
43031-0008	B	20-24	LOOSE	.090/(2.29)	.100/(2.54)	.030/(0.76) R.	.075/(1.91)	.025/(0.64) R.	.082/(2.08)
43031-0009	C	20-24	LOOSE	.090/(2.29)	.100/(2.54)	.030/(0.76) R.	.075/(1.91)	.025/(0.64) R.	.082/(2.08)
43031-0010	A	26-30	LOOSE	.075/(1.91)	.083/(2.10)	.025/(0.64) R.	.058/(1.47)	.020/(0.51) R.	.065/(1.65)
43031-0011	B	26-30	LOOSE	.075/(1.91)	.083/(2.10)	.025/(0.64) R.	.058/(1.47)	.020/(0.51) R.	.065/(1.65)
43031-0012	C	26-30	LOOSE	.075/(1.91)	.083/(2.10)	.025/(0.64) R.	.058/(1.47)	.020/(0.51) R.	.065/(1.65)
43031-0021	A	18 OR 0.75mm <sup>2</sup> (SEE NOTE 11)	CHAIN	.090/(2.29)	.100/(2.54)	.030/(0.76) R.	.086/(2.18)	.029/(0.74) R.	.094/(2.39)
43031-0022	B	18 OR 0.75mm <sup>2</sup> (SEE NOTE 11)	CHAIN	.090/(2.29)	.100/(2.54)	.030/(0.76) R.	.086/(2.18)	.029/(0.74) R.	.094/(2.39)
43031-0023	C	18 OR 0.75mm <sup>2</sup> (SEE NOTE 11)	CHAIN	.090/(2.29)	.100/(2.54)	.030/(0.76) R.	.086/(2.18)	.029/(0.74) R.	.094/(2.39)



- NOTES:
- 1) MATERIAL: PHOSPHOR BRONZE ALLOY
  - 2) TERMINAL PLATING:  
 "A" = HOT TIN DIP: .000040/(0.00102) MIN.  
 "B" = .000015/(0.00038) MIN. SELECT GOLD  
 .000100/(0.00254) MIN. SELECT TIN  
 OVER .000050/(0.00127) MIN. NICKEL  
 "C" = .000030/(0.00076) MIN. SELECT GOLD  
 .000100/(0.00254) MIN. SELECT TIN  
 OVER .000050/(0.00127) MIN. NICKEL  
 \* MATERIAL NUMBERS WITH SELECT PLATING ARE  
 POST-PLATED AFTER FORMING
  - 3) PRODUCT SPECIFICATION: PS-43045, PS-43650, PS-44300-001.
  - 4) PACKAGING SPECIFICATION: PK-43031-001 (REEL), AND PK-43030-003 (LOOSE).
  - 5) TERMINAL FOR USE IN MICRO FIT PLUG SERIES 43020, 43640, 44300, AND 46625.
  - 6) FOR TERMINAL ORIENTATION IN PLUG SEE DRAWINGS FOR PLUG HOUSINGS.
  - 7) THIS TERMINAL IS DESIGNED IN METRIC.
  - 8) TERMINAL MAY HAVE AN INWARD OR OUTWARD FORMED SHAPE IN THIS AREA.
  - 9) SOME GOLD MAY BE PRESENT ON INSIDE SURFACE.
  - 10) TEXT ON PART IS FOR REFERENCE ONLY. TEXT AND TEXT LOCATION MAY VARY DEPENDING ON PART NUMBER AND/OR TOOL.
  - 11) PART NUMBERS FOR 18 AWG OR 0.75 mm<sup>2</sup> ARE DESIGNED FOR 1061 STYLE WIRE OR A .073/1.85 MAXIMUM INSULATION OUTSIDE DIAMETER.



ADD 18AWG P/N'S EC NO: UCP2018-0853 DRWNS:SSOUSEK 2018/03/19 CHKD:JBELL 2018/03/19 APPR:FSMITH 2018/03/20	QUALITY SYMBOLS ∇=0 ∇=0 ∇=0	GENERAL TOLERANCES (UNLESS SPECIFIED)		DIMENSION STYLE		SCALE	DESIGN UNITS	THIRD ANGLE PROJECTION			
				IN/MM			METRIC				
				mm	INCH	DRAWN BY	DATE	TITLE			
				4 PLACES ± ---	± ---	MUELLER	2002/08/13	MICRO-FIT (3.0) MALE TERMINAL			
K2	REV			3 PLACES ± ---	±.014	CHECKED BY	DATE	<b>molex</b> DOCUMENT NO. SD-43031-**** SHEET NO. 1 OF 1			
				2 PLACES ± 0.25	±.010	MUELLER	2002/08/13				
				1 PLACE ± 0.35	± ---	APPROVED BY	DATE	THIS DRAWING CONTAINS INFORMATION THAT IS PROPRIETARY TO MOLEX INCORPORATED AND SHOULD NOT BE USED WITHOUT WRITTEN PERMISSION			
				0 PLACE ±	±	MARGULIS	2002/08/13				