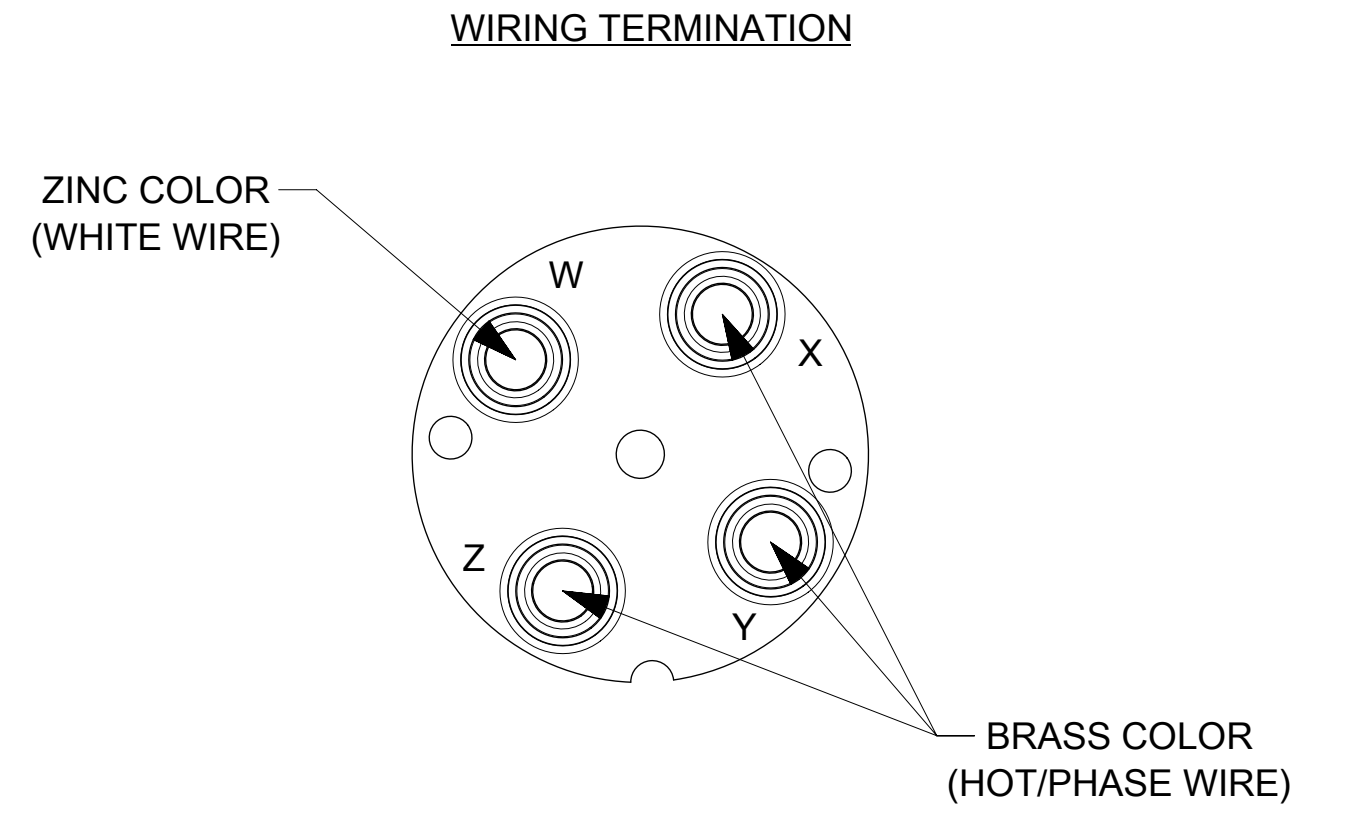
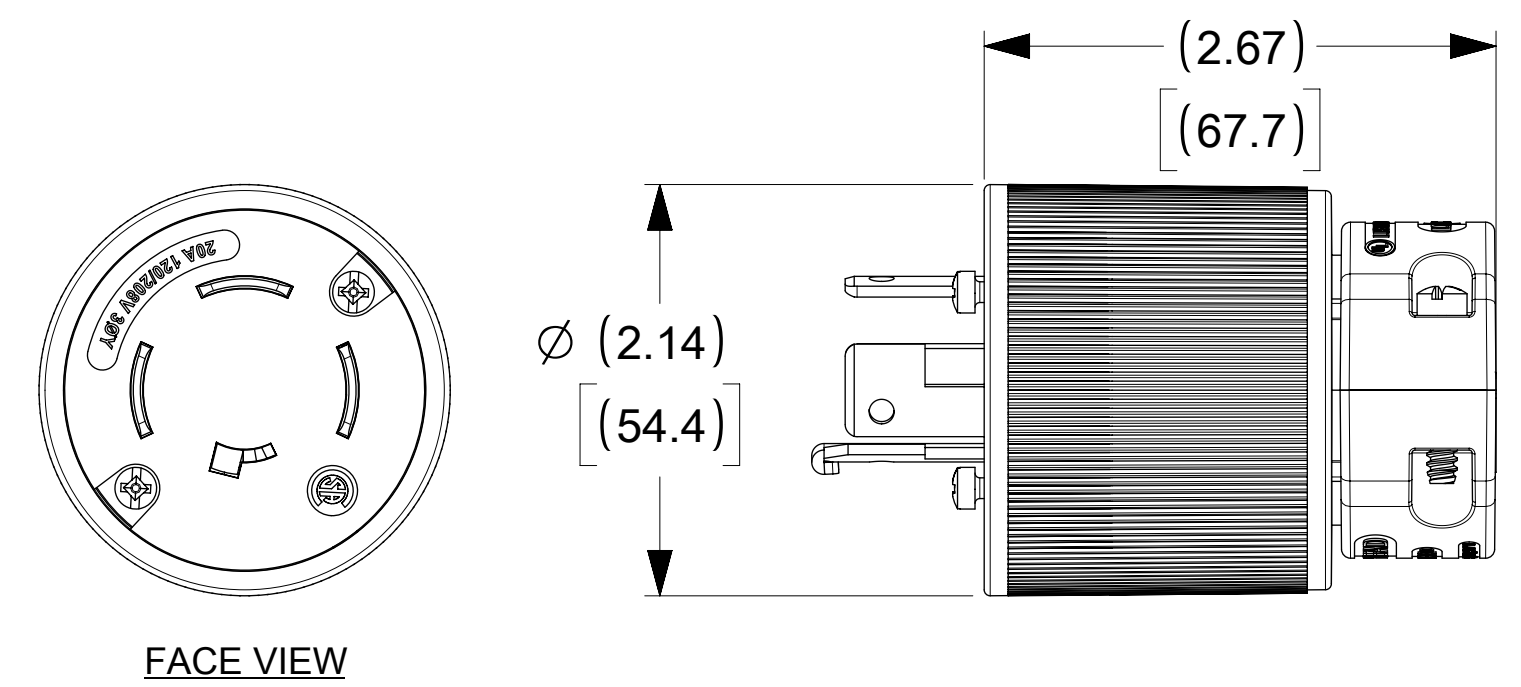
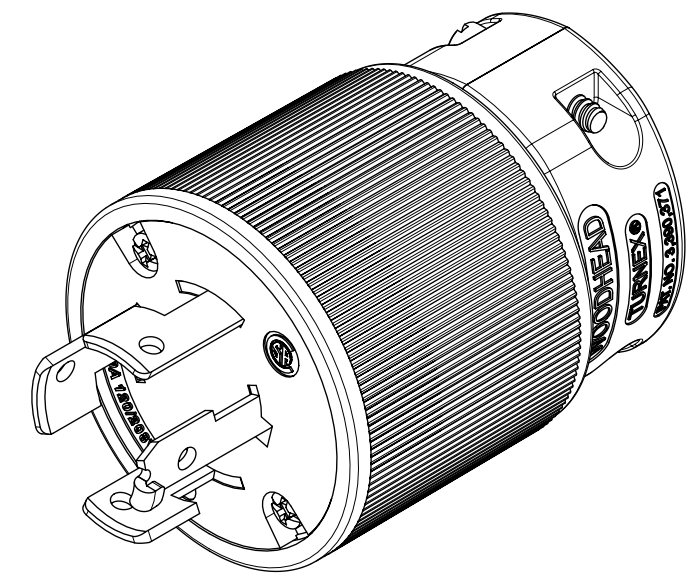
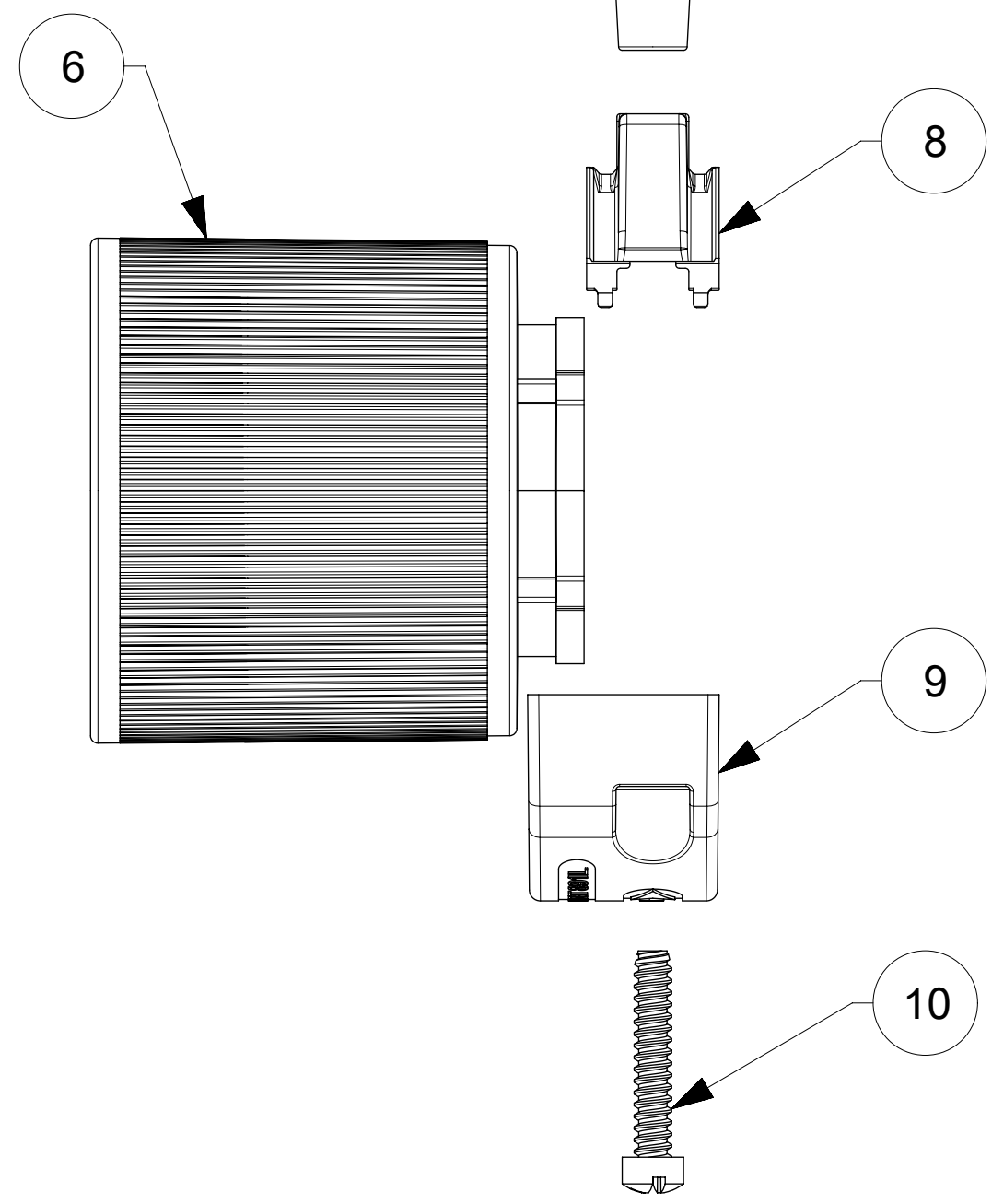
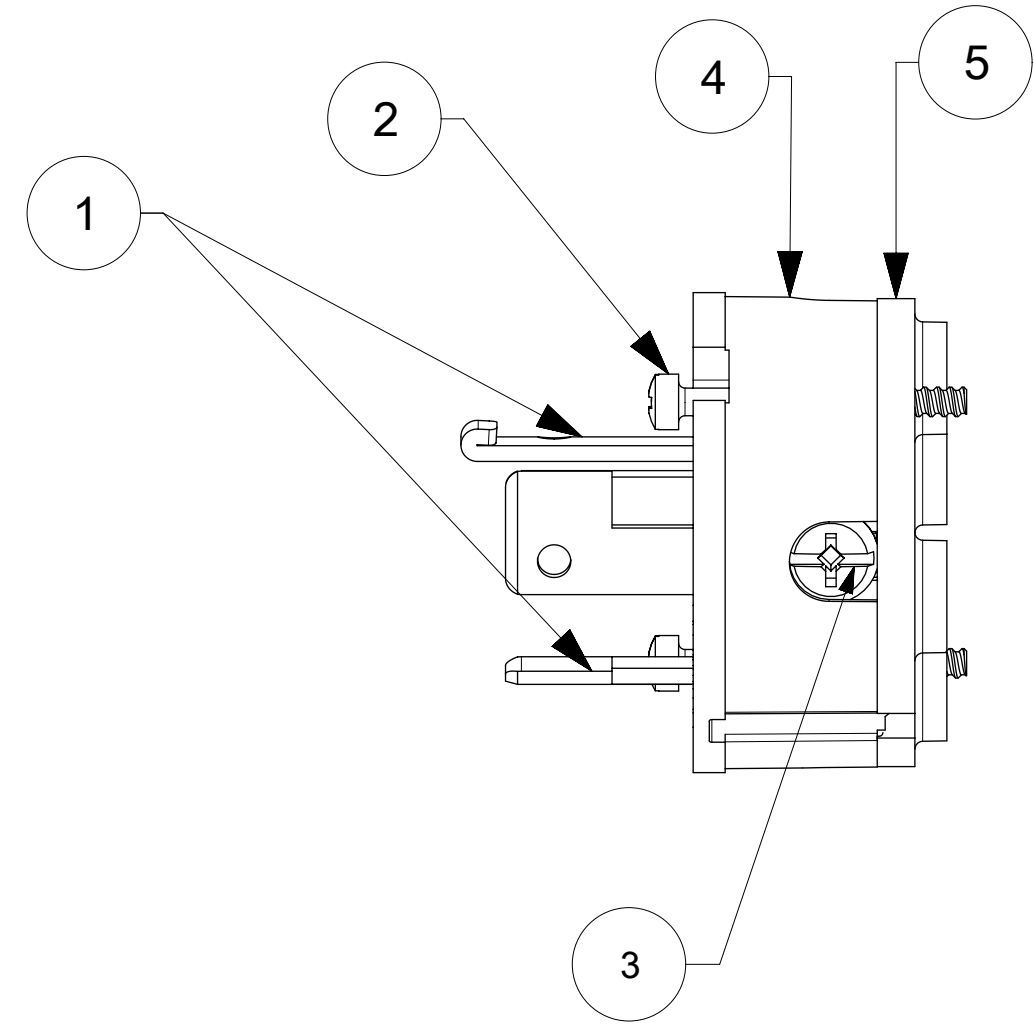


MATERIAL NO.	PART NO.	COLOR
130145-0005	26T09	BLACK



ITEM NO.	DESCRIPTIONS	MATERIAL	QTY.
1	BLADES	BRASS, NICKEL PLATED	4
2	RETAINING SCREWS	STAINLESS STEEL	3
3	TERMINAL SCREWS/CLAMP ASSEMBLY	BRASS, ZINC PLATED	4
4	INSERT	NYLON	1
5	TERMINAL COVER	POLYCARBONATE	1
6	HOUSING	NYLON	1
7	CLAMP CORD MALE	NYLON	1
8	CLAMP CORD INSERT	NYLON	1
9	CLAMP CORD FEMALE	NYLON	1
10	RETAINING SCREWS	STAINLESS STEEL	2

THIS DRAWING CONTAINS INFORMATION THAT IS PROPRIETARY TO MOLEX ELECTRONIC TECHNOLOGIES, LLC AND SHOULD NOT BE USED WITHOUT WRITTEN PERMISSION

DIMENSION UNITS INCH[MM]	SCALE NTS	CURRENT REV DESC: OBSOLETE PART NUMBER AS PER PCN#509987.	molex		
GENERAL TOLERANCES (UNLESS SPECIFIED)		EC NO: 693623			
4 PLACES ±	MM	DRWN: SANTHN	PRODUCT CUSTOMER DRAWING		
3 PLACES ±	INCH	CHK'D: GGA	DOCUMENT NUMBER	DOC TYPE	DOC PART
2 PLACES ±		APPR: GGA	1301450005	PSD	000
1 PLACE ±		INITIAL REVISION:			A1
0 PLACES ±		DRWN: DSOPPIN	MATERIAL NUMBER	CUSTOMER	SHEET NUMBER
ANGULAR TOL ± °		APPR: HKNEELAND	SEE TABLE	GENERAL MARKET	1 OF 1
DRAFT WHERE APPLICABLE MUST REMAIN WITHIN DIMENSIONS	THIRD ANGLE PROJECTION	DRAWING	C-SIZE	SERIES	
				130145	