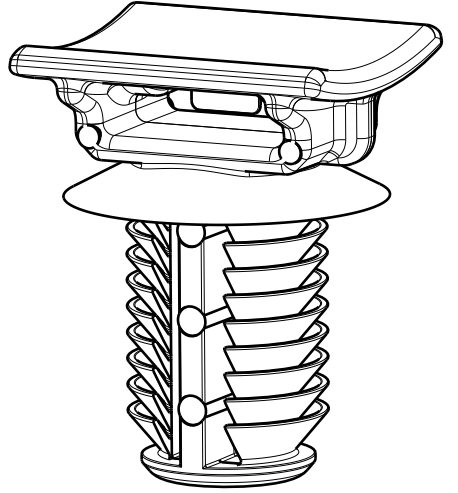
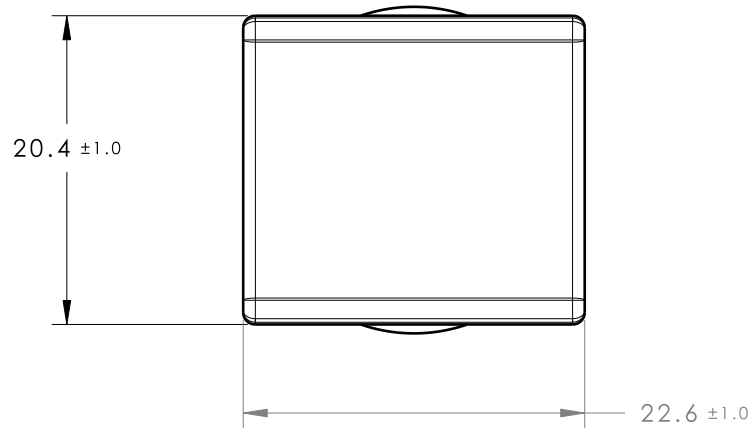
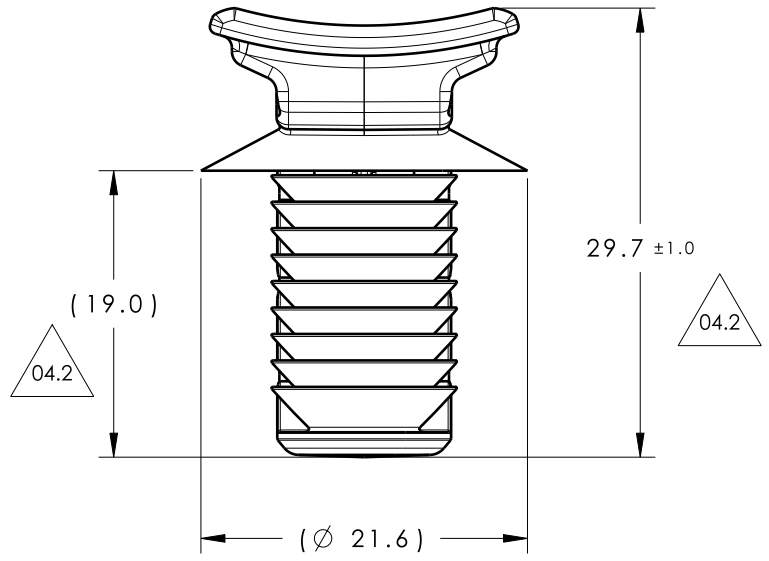
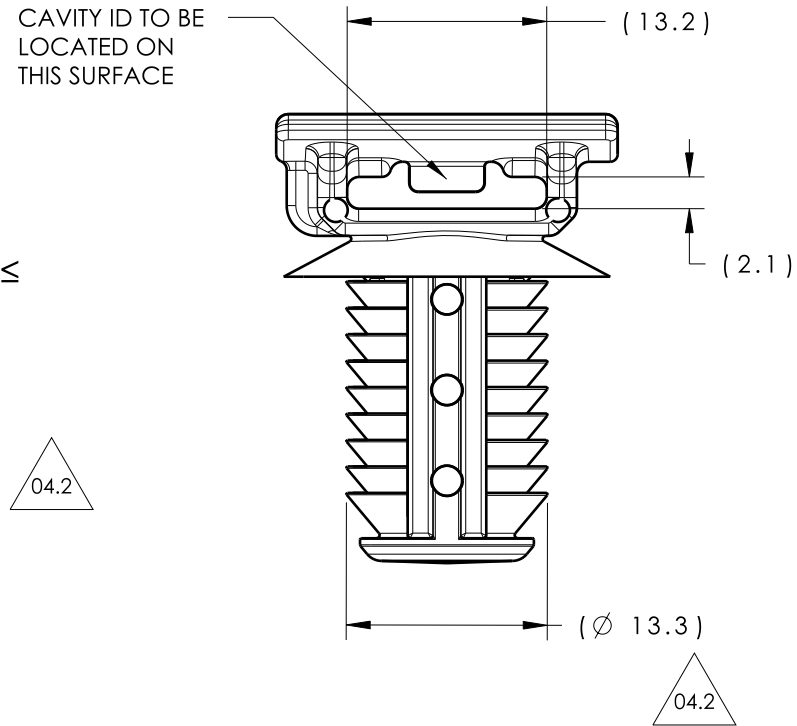


| Revision Level | | | Revision Record | Changed | Date | Approved | Date |
|----------------|----------------|------|-----------------|---------|------------|----------|------------|
| Drawing | State | Part | | | | | |
| 04.2 | Design Release | - | SEE ECN# 013939 | MHT | 07/06/2017 | KVH | 07/06/2017 |



Isometric view



REFERENCE:
PERFORMANCE REQUIREMENTS AT DRY AS MOLDED WITH ≤ 0.5% MOISTURE CONTENT:

1. FIR TREE PUSH IN FORCE: 45 NEWTONS (10 LBF) MAX IN THE APPLICABLE NOMINAL HOLE SIZE AND A PLATE THICKNESS OF 1.8mm.
2. FIR TREE PULL OUT FORCE: 156 NEWTONS (35 LBF) MIN IN THE APPLICABLE NOMINAL HOLE SIZE AND A PLATE THICKNESS OF 1.8mm.
3. SHEET METAL THICKNESS RANGE: 0.60mm - 11.0mm
4. APPLICABLE HOLE SIZE:
A. 12.0mm +/- 0.4

- NOTES:
1. MAXIMUM PERCENT REGRIND PERMISSIBLE: TBD%
 2. MAX ALLOWABLE FLASH OR MISMATCH EXCEPT WHERE NOTED TO BE 0.5mm.

| | | | | | | | | |
|---------------------------------------|--|--|--|-----|------------|-------------------------|---|---------------------------|
| Material PA66HIRHS COLOR: BLACK | Units millimeters Tolerance defined on each dimension | The copyright of this drawing is reserved by HellermannTyton. It is issued on condition that it is not reproduced, copied or disclosed to a third party, either wholly or in part, without the consent of HellermannTyton. | Drawn | MHT | 07/05/2017 | Article/Type-No FT12 | Scale 2:1 | |
| | | | Approved | KVH | 07/05/2017 | | | |
| | | | North America Email: corp@htamericas.com Web: www.hellermann.tyton.com | | | Title | 12.0mm FIR TREE PANEL THICKNESS 0.6-11.0mm, 20x23 CURVED SADDLE | Project Number 13-0235 |
| | | | | | | Drawing-No | 13-0235-001-CSU | PRODUCTION : Phase |