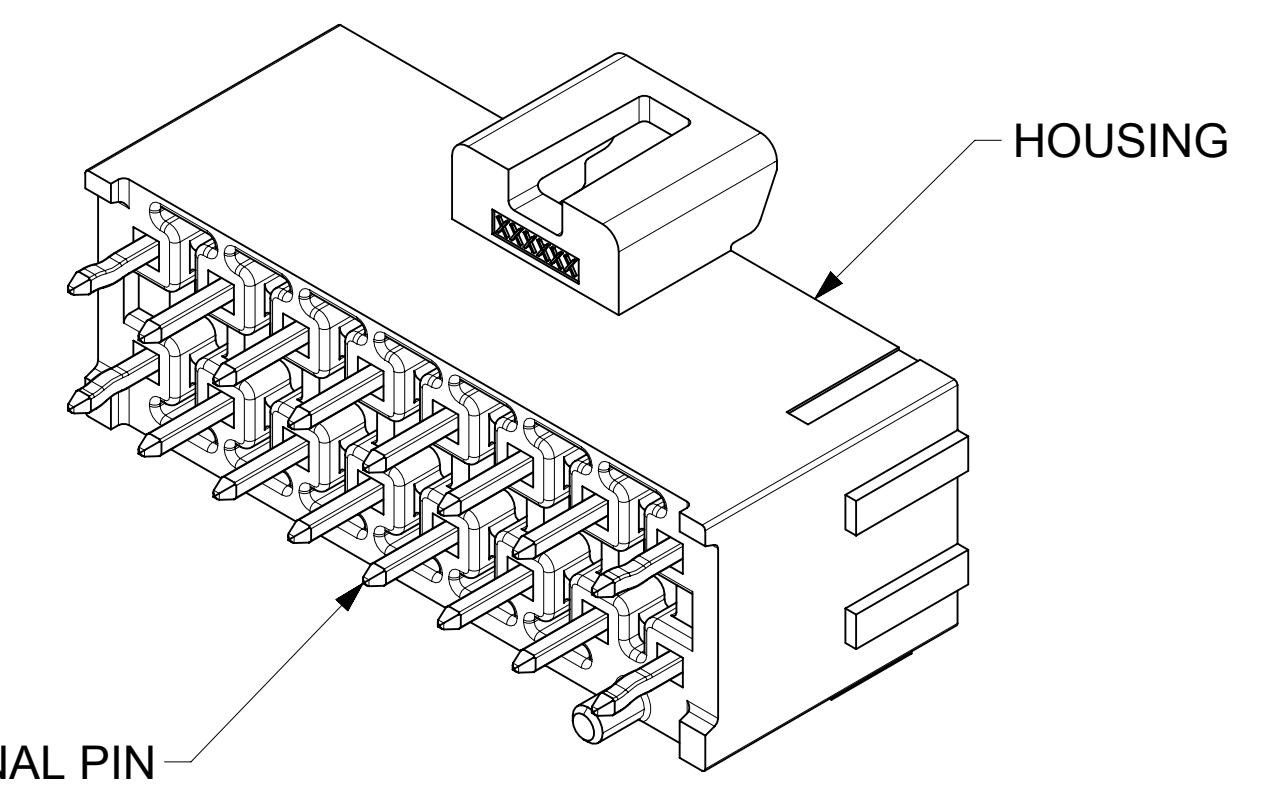
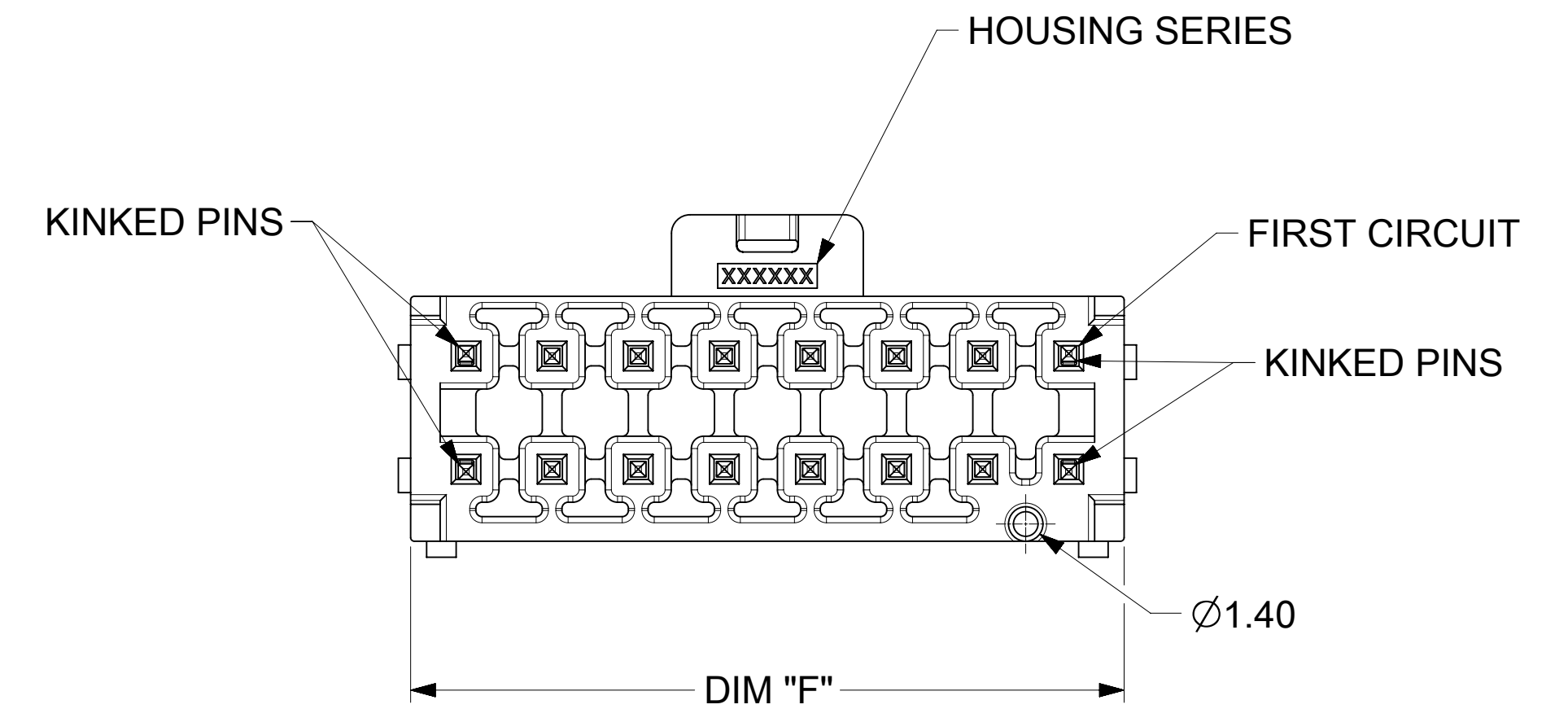
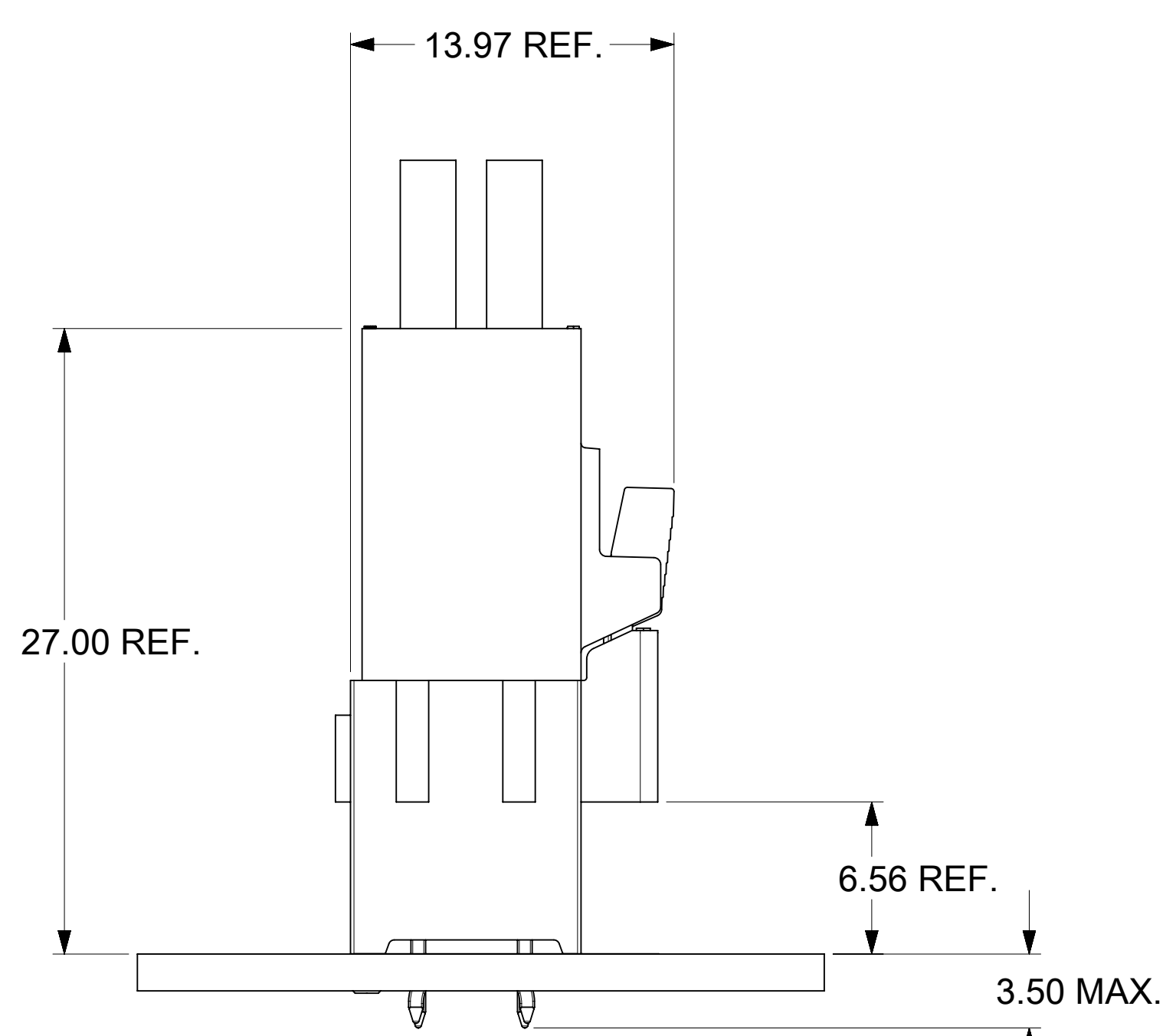


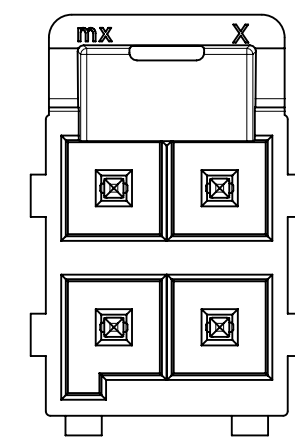
SECTION Y-Y  
SCALE 8:1



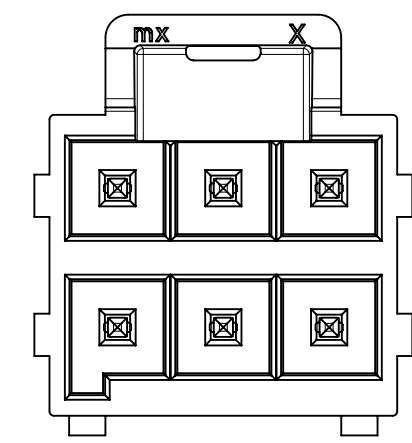
- NOTES:
- MATERIAL :  
HOUSING  
OPTION 1: LCP BLACK, UL94 V-0  
OPTION 2: LCP NATURAL, UL94 V-0  
TERMINAL: COPPER ALLOY
  - PLATING FINISH:  
OPTION 1 - 1.52µm(60µin)-2.54µm(100µin) TIN OVER,  
1.27µm(50µin)-2.54µm(100µin) NICKEL OVERALL,  
OPTION 2 - 0.38µm(15µin) GOLD CONTACT AREA,  
1.52µm(60µin)-2.54µm(100µin) TIN TAIL AREA OVER,  
1.27µm(50µin)-2.54µm(100µin) NICKEL OVERALL.  
OPTION 3 - 0.76µm(30µin) GOLD CONTACT AREA,  
1.52µm(60µin)-2.54µm(100µin) TIN TAIL AREA OVER,  
1.27µm(50µin)-2.54µm(100µin) NICKEL OVERALL.
  - PACKAGE SPECIFICATION REFER TO CHART IN SHEET 3.
  - PRODUCT SPECIFICATION PS-172323-0001.
  - PART MATES WITH MOLEX RECEPTACLE HOUSING 172258 AND 172262.
  - PART CONFORMS TO CLASS "C" REQUIREMENTS OF SPECIFICATION PS-45499-002 WITH 0.13 MM MAXIMUM FLASH ALLOWED IN CORE HOLES AND FRONT SURFACE.
  - DISCOLORATION IN THE BANDOLIER AREA OF THE PIN IS INHERENT TO THE PLATING PROCESS AND IS DUE TO THE MASKING EFFECT OF THE CARRIER. THIS DISCOLORATION IS IN A NON-FUNCTIONAL AREA OF THE PIN AND WILL NOT AFFECT THE PERFORMANCE OF THE HEADER ASSEMBLY.
  - APPLICATION SPECIFICATION: AS-172323-0001



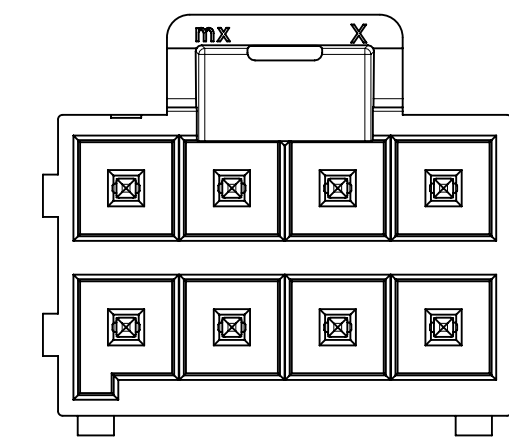
FUNCTIONAL SYMBOLS	THIS DRAWING CONTAINS INFORMATION THAT IS PROPRIETARY TO MOLEX ELECTRONIC TECHNOLOGIES, LLC AND SHOULD NOT BE USED WITHOUT WRITTEN PERMISSION		
	DIMENSION UNITS	SCALE	CURRENT REV DESC:
$F_A = 0$	mm	4:1	
$F_C = 0$	GENERAL TOLERANCES (UNLESS SPECIFIED)		
$F_P = 0$	ANGULAR TOL ± °		
DIVISIONAL SYMBOLS	4 PLACES	±	
	3 PLACES	±	
	2 PLACES	± 0.25	
	1 PLACE	± 0.5	
	0 PLACES	±	
DRAFT WHERE APPLICABLE MUST REMAIN WITHIN DIMENSIONS		THIRD ANGLE PROJECTION	DRAWING SERIES
			<b>D-SIZE 172298</b>
DOCUMENT NUMBER		DOC TYPE	DOC PART
<b>SD-172298-1000</b>		PSD	000
REVISION		REVISION	
D1		D1	
MATERIAL NUMBER		CUSTOMER	
GENERAL MARKET		SHEET NUMBER	
1 OF 3		1 OF 3	



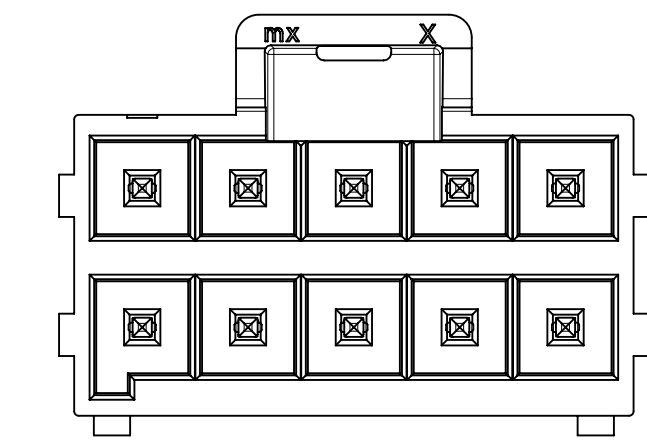
4 CKT



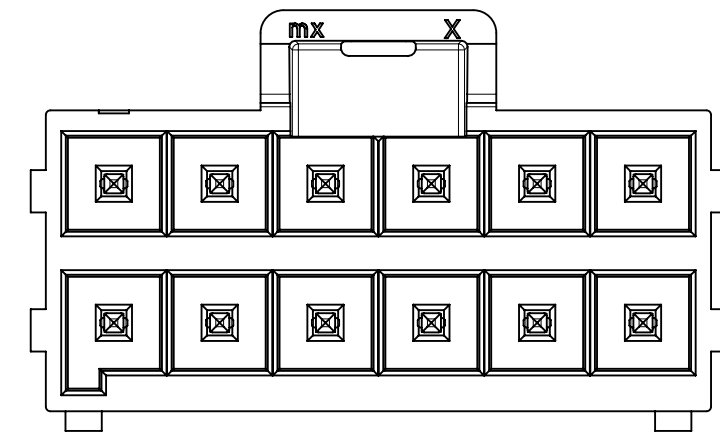
6 CKT



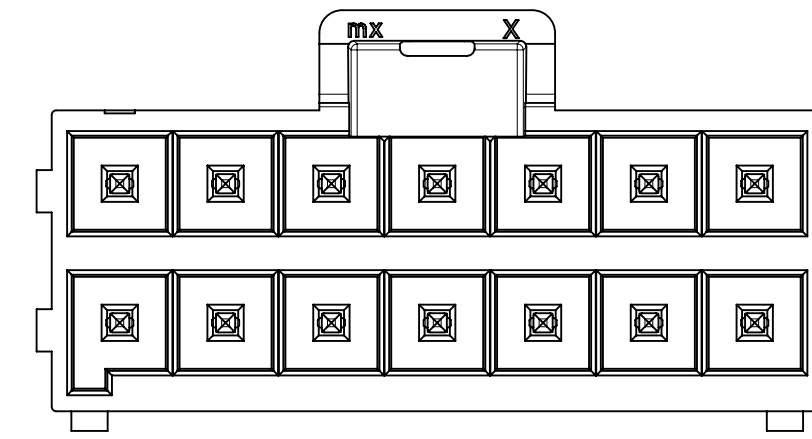
8 CKT



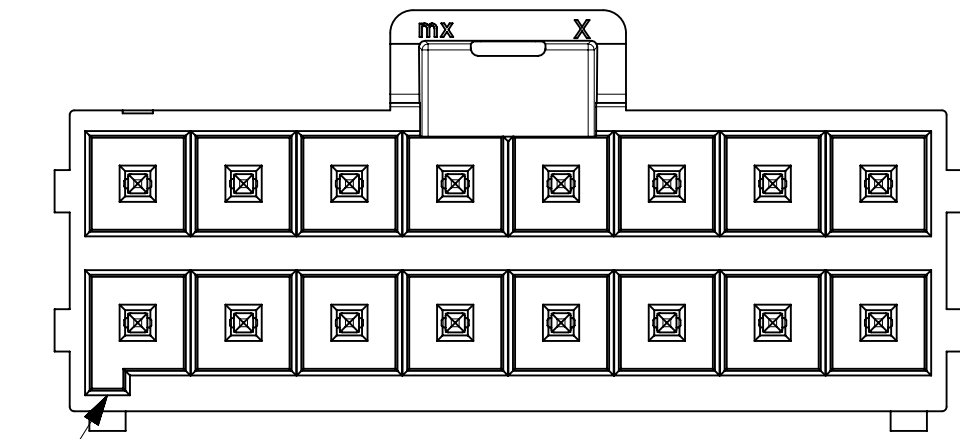
10 CKT



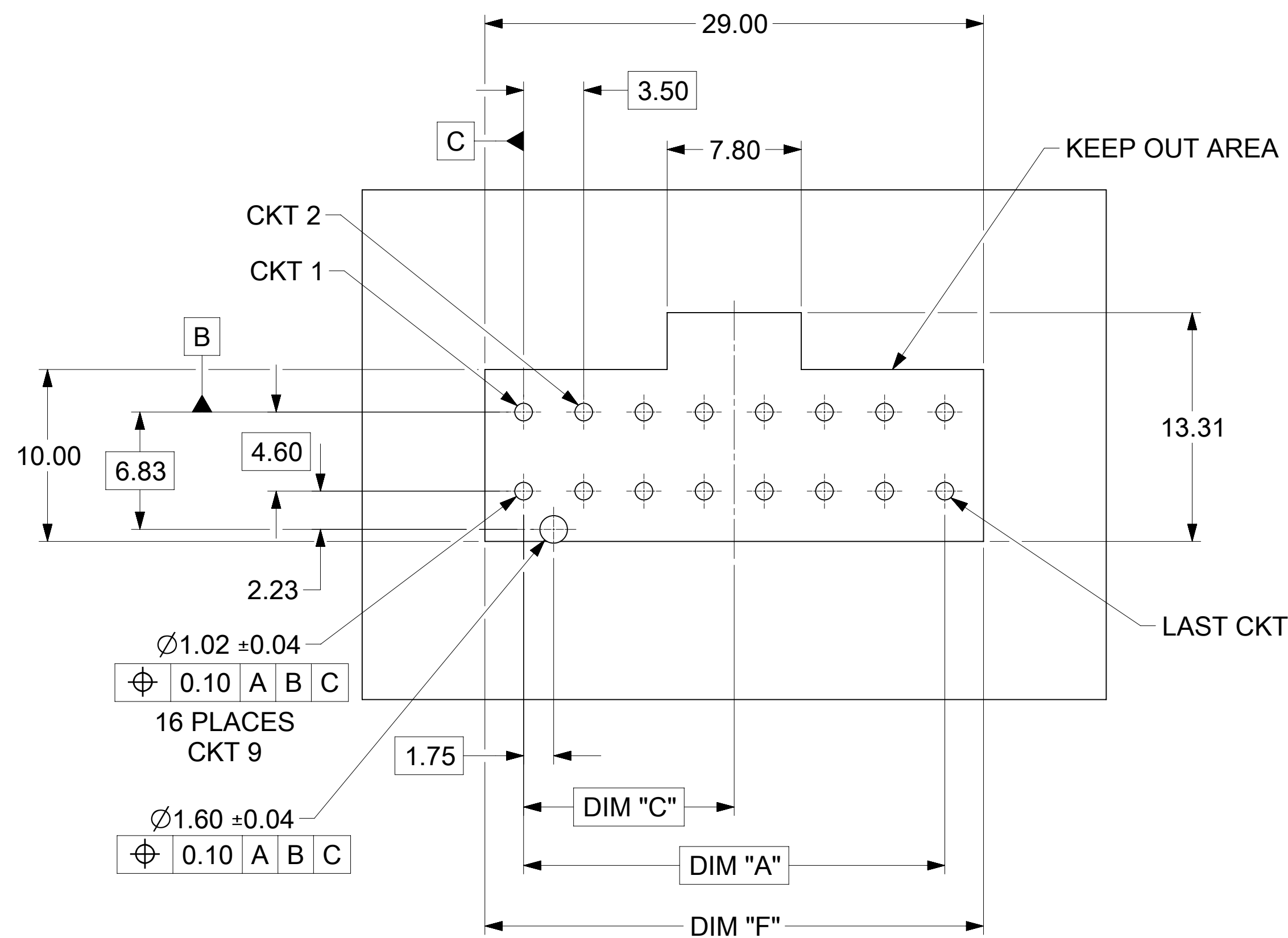
12 CKT



14 CKT



16 CKT



NOTE: DATUM -A- IS ON PCB COMPONENT SIDE

COLOR OPTION	KEY A BLACK	KEY B NATURAL
KAPTON OPTION	WITHOUT KAPTON	WITH KAPTON

FUNCTIONAL SYMBOLS FA = 0 FC = 0 FD = 0	THIS DRAWING CONTAINS INFORMATION THAT IS PROPRIETARY TO MOLEX ELECTRONIC TECHNOLOGIES, LLC AND SHOULD NOT BE USED WITHOUT WRITTEN PERMISSION		CURRENT REV DESC:	
	DIMENSION UNITS mm	SCALE 4:1		
DIVISIONAL SYMBOLS	GENERAL TOLERANCES (UNLESS SPECIFIED)		EC NO: 693485	
	ANGULAR TOL ± °		DRWN: GLLI	2022/01/21
	4 PLACES ±		CHK'D: XQZHANG	2022/01/26
	3 PLACES ±		APPR: XQZHANG	2022/01/26
	2 PLACES ± 0.25		INITIAL REVISION:	
1 PLACE ± 0.5		DRWN: DROSCA	2014/03/04	
0 PLACES ±		APPR: JCOMERCI	2014/04/24	
DRAFT WHERE APPLICABLE MUST REMAIN WITHIN DIMENSIONS		THIRD ANGLE PROJECTION	DRAWING D-SIZE	SERIES 172298
DOCUMENT STATUS P1		RELEASE DATE 2022/01/26 13:35:15	DOCUMENT NUMBER SD-172298-1000	DOC TYPE PSD
			CUSTOMER GENERAL MARKET	DOC PART 000
				REVISION D1
				SHEET NUMBER 2 OF 3

**molex**

ULTRA-FIT VERT HEADER  
4-16 CKTS DUAL ROW KINKED PINS

PRODUCT CUSTOMER DRAWING

