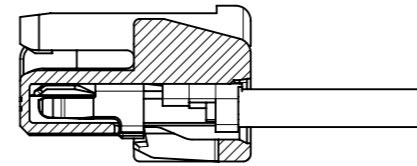
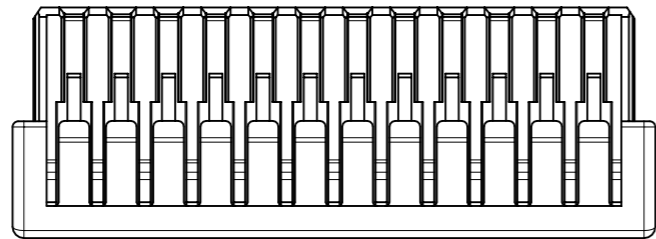


奇数キャビティ : キャビティ番号及び金型番号
 偶数キャビティ : トレードマーク
 ODD CAV:CAVITY & MOLD NUMBER
 EVEN CAV:TRADE MARK

奇数キャビティ : トレードマーク
 偶数キャビティ : キャビティ番号及び金型番号
 ODD CAV:TRADE MARK
 EVEN CAV:CAVITY & MOLD NUMBER



ターミナル装着図
 TERMINAL ASSEMBLY DRAWING

注記 :

NOTES :

- 1 材質 : TABLE 1参照
MATERIAL : SEE TABLE 1.
- 2 偶数極に適用。
APPLY TO EVEN CIRCUIT.
- 3 製品仕様書、コネクタ取扱説明書、適合嵌合相手、適合ターミナルはSHEET 3をご参照ください。
PLEASE REFER TO SHEET 3 FOR PRODUCT SPECIFICATION, APPLICATION SPECIFICATION, MATE WITH AND APPLICABLE TERMINAL.
- 4 発注番号
ORDER NUMBER

204532**0*

極数
CIRCUIT SIZE

番号 NO.	ハウジングカラー HOUSING COLOR
0	ナチュラル (白) NATURAL (WHITE)
1	黒 BLACK

18.75	22	16
17.5	20.75	15
16.25	19.5	14
15	18.25	13
13.75	17	12
12.5	15.75	11
11.25	14.5	10
10	13.25	9
8.75	12	8
7.5	10.75	7
6.25	9.5	6
5	8.25	5
3.75	7	4
2.5	5.75	3
1.25	4.5	2
B	A	極数 CIRCUIT SIZE

1 TABLE 1

部品 PART	材質 MATERIAL
ハウジング HOUSING	ポリエステル(PBT), UL94 V-0, 色 : SHEET 3参照 POLYESTER(PBT), UL94 V-0, COLOR : SEE SHEET 3.
DOCUMENT STATUS	P1
RELEASE DATE	2022/11/30 03:03:33

DIMENSION UNITS		SCALE	CURRENT REV DESC:		
mm	NTS				
GENERAL TOLERANCES (UNLESS SPECIFIED)			EC NO: 720259		
ANGULAR TOL ± 3.0°			DRWN: SOKUMURA01 2022/10/31		
4 PLACES ± 0.2			CHK'D: SAKIYAMA 2022/11/28		
3 PLACES ± 0.2			APPR: AIDA 2022/11/30		
2 PLACES ± 0.2			INITIAL REVISION:		
1 PLACE ± 0.2			DRWN: RWATANABE01 2017/09/15		
0 PLACES ± 0.2			APPR: TKANEKO 2017/09/26		
DRAFT WHERE APPLICABLE MUST REMAIN WITHIN DIMENSIONS			THIRD ANGLE PROJECTION	DRAWING	SERIES
				A3-SIZE	204532
			MATERIAL NUMBER	CUSTOMER	SHEET NUMBER
			SEE SHEET 3	GENERAL	1 OF 3

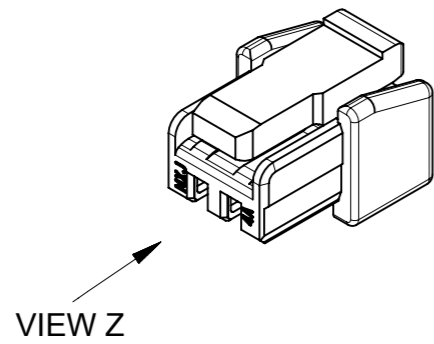
molex

MICRO-LOCK PLUS 1.25 W/B
 SINGLE ROW RECEPTACLE HOUSING
 LOW-HALOGEN

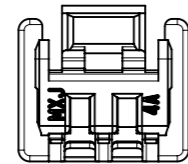
PRODUCT CUSTOMER DRAWING

DOCUMENT NUMBER: 2045320000-SD, DOC TYPE: PSD, DOC PART: 000, REVISION: F

製品形状
PRODUCT SHAPE

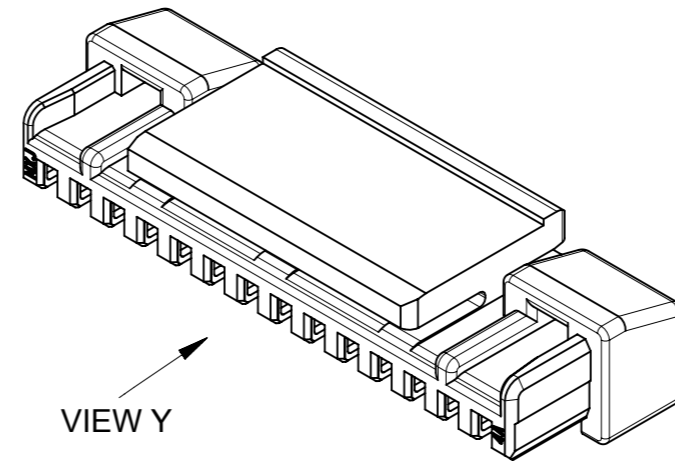


VIEW Z

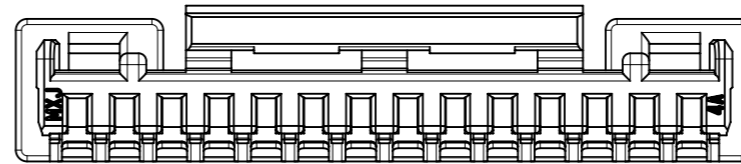


VIEW Z

2-13極
2-13 CIRCUIT



VIEW Y



VIEW Y

14-16極
14-16 CIRCUIT

THIS DRAWING CONTAINS INFORMATION THAT IS PROPRIETARY TO MOLEX ELECTRONIC TECHNOLOGIES, LLC AND SHOULD NOT BE USED WITHOUT WRITTEN PERMISSION									
DIMENSION UNITS		SCALE		CURRENT REV DESC:					
mm		NTS							
GENERAL TOLERANCES (UNLESS SPECIFIED)				EC NO: 720259				MICRO-LOCK PLUS 1.25 W/B SINGLE ROW RECEPTACLE HOUSING LOW-HALOGEN	
ANGULAR TOL ± 3.0 °				DRWN: SOKUMURA01 2022/10/31					
4 PLACES ± 0.2				CHK'D: SAKIYAMA 2022/11/28				PRODUCT CUSTOMER DRAWING	
3 PLACES ± 0.2				APPR: AIDA 2022/11/30					
2 PLACES ± 0.2				INITIAL REVISION:				DOCUMENT NUMBER	
1 PLACE ± 0.2				DRWN: RWATANABE01 2017/09/15				2045320000-SD	
0 PLACES ± 0.2				APPR: TKANEKO 2017/09/26				PSD 000 F	
DRAFT WHERE APPLICABLE MUST REMAIN WITHIN DIMENSIONS		THIRD ANGLE PROJECTION		DRAWING		SERIES		MATERIAL NUMBER	
				A3-SIZE		204532		SEE SHEET 3	
						CUSTOMER		SHEET NUMBER	
						GENERAL		2 OF 3	

DOCUMENT STATUS	P1	RELEASE DATE	2022/11/30	03:03:33
-----------------	----	--------------	------------	----------

△ 3 適合製品及び各種仕様書 APPLICABLE PRODUCTS AND VARIOUS SPECIFICATIONS

梱包仕様書 PACKAGING SPECIFICATION	PART NUMBER	SPECIFICATION NUMBER
	204532**0*	2045329200 PS 200


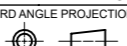
適合ターミナル APPLICABLE TERMINAL	PART NUMBER	PLATING TYPE	WIRE SIZE(AWG)
	5054311000	TIN	#26-30
	5054311100	GOLD	

適合嵌合相手 MATE WITH	WIRE TO BOARD				WIRE TO WIRE	
	TIN PLATING		GOLD PLATING		TIN PLATING	
	VERTICAL	RIGHT ANGLE	VERTICAL (FOR POTTING)	VERTICAL	RIGHT ANGLE	---
	2-16CKT				2-9CKT	
製品番号 PART NUMBER	204530**7*	204529**7*	205957**7*	204530**** 3, 5, 8 ▲	204529**** 3, 5, 8 ▲	2145252***
製品仕様書 PRODUCT SPECIFICATION	2045320000-PS PS 000		2045320001-PS PS 000	2045320000-PS PS 001		5055650003-PS PS 000
コネクタ取扱説明書 APPLICATION SPECIFICATION	5055650000-AS PS 000					

製品嵌合図は各嵌合相手図面を参照のこと
MATING VIEW : REFER TO EACH "MATE WITH" PART DRAWING.

△ 4 204532**0* 発注番号一覧 ORDER NUMBER LIST

BLACK	NATURAL (WHITE)	HOUSING COLOR
2045321601	2045321600	16
2045321501	2045321500	15
2045321401	2045321400	14
2045321301	2045321300	13
2045321201	2045321200	12
2045321101	2045321100	11
2045321001	2045321000	10
2045320901	2045320900	9
2045320801	2045320800	8
2045320701	2045320700	7
2045320601	2045320600	6
2045320501	2045320500	5
2045320401	2045320400	4
2045320301	2045320300	3
2045320201	2045320200	2
発注番号 ORDER NUMBER		極数 CIRCUIT SIZE
梱包形態 : ポリ袋 PACKAGING : POLYBAG PACKAGE		

THIS DRAWING CONTAINS INFORMATION THAT IS PROPRIETARY TO MOLEX ELECTRONIC TECHNOLOGIES, LLC AND SHOULD NOT BE USED WITHOUT WRITTEN PERMISSION									
DIMENSION UNITS	SCALE	CURRENT REV DESC:			 MICRO-LOCK PLUS 1.25 W/B SINGLE ROW RECEPTACLE HOUSING LOW-HALOGEN PRODUCT CUSTOMER DRAWING				
mm	NTS								
GENERAL TOLERANCES (UNLESS SPECIFIED)		EC NO: 720259			DOCUMENT NUMBER				
ANGULAR TOL	± 3.0 °	DRWN: SOKUMURA01 2022/10/31			2045320000-SD				
4 PLACES	± 0.2	CHK'D: SAKIYAMA 2022/11/28			DOC TYPE				
3 PLACES	± 0.2	APPR: AIDA 2022/11/30			PSD				
2 PLACES	± 0.2	INITIAL REVISION:			DOC PART				
1 PLACE	± 0.2	DRWN: RWATANABE01 2017/09/15			000				
0 PLACES	± 0.2	APPR: TKANEKO 2017/09/26			F				
DRAFT WHERE APPLICABLE MUST REMAIN WITHIN DIMENSIONS		THIRD ANGLE PROJECTION	DRAWING	SERIES	MATERIAL NUMBER	CUSTOMER	SHEET NUMBER		
			A3-SIZE	204532	SEE CHART	GENERAL	3 OF 3		