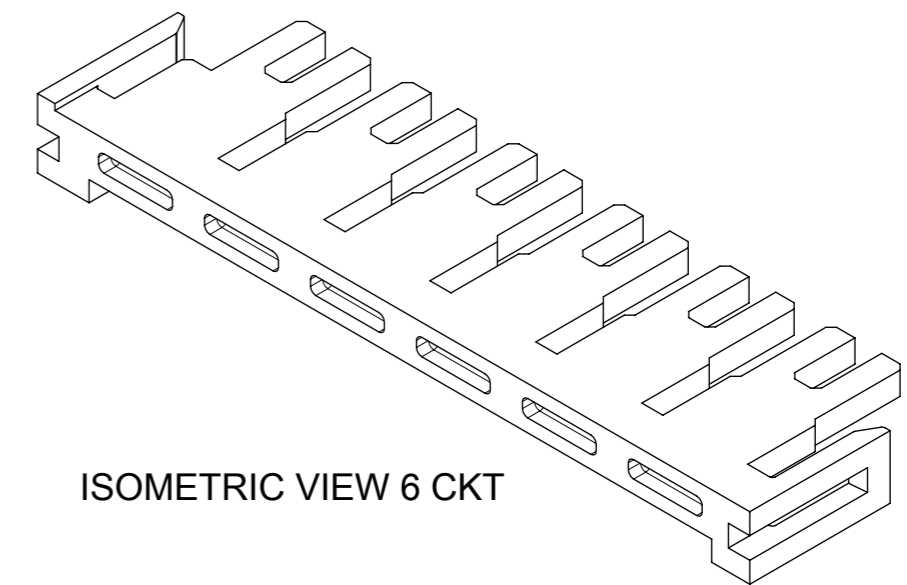
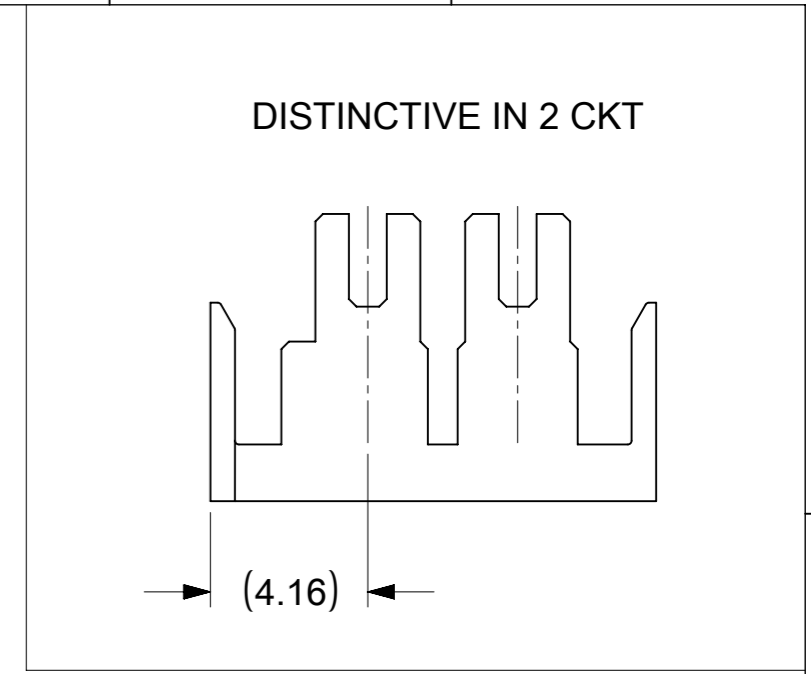
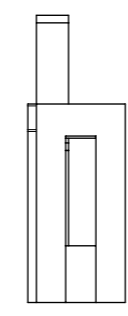
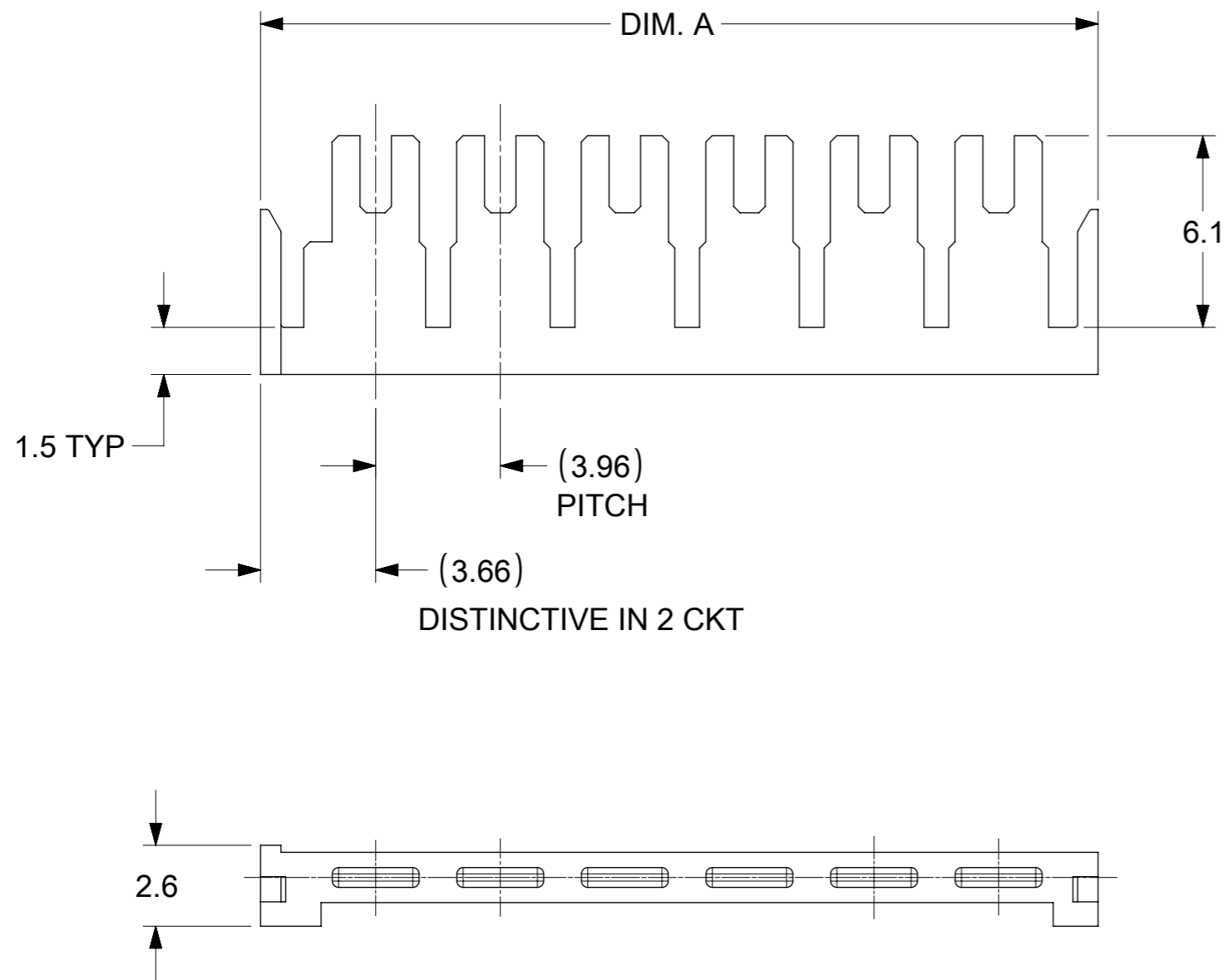


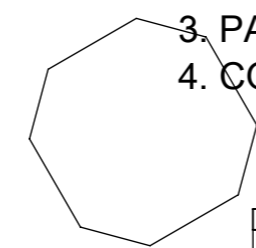
9 8 7 6 5 4 3 2 1

E  
D  
C  
B  
A



- NOTES:
1. MATERIAL: PA66 , RATED UL94V-0, COLOR- NATURAL WHITE
  2. PRODUCT SPECIFICATION: 2074580000-PS
  3. PACKAGING SPECIFICATION: 2074590000-PK
  4. COSMETIC SPECIFICATION: PS-45499-002 CLASS B

PART NO.	CIRCUIT SIZE	DIM. A
2074590002	02	11.79
2074590003	03	14.75
2074590004	04	18.71
2074590005	05	22.68
2074590006	06	26.64



THIS DRAWING CONTAINS INFORMATION THAT IS PROPRIETARY TO MOLEX ELECTRONIC TECHNOLOGIES, LLC AND SHOULD NOT BE USED WITHOUT WRITTEN PERMISSION									
DIMENSION UNITS		SCALE		CURRENT REV DESC:				<b>molex</b>	
mm		5:1							
GENERAL TOLERANCES (UNLESS SPECIFIED)				EC NO: 706747				KK PLUS 396 TPA	
ANGULAR TOL ± 0.5°				DRWN: SHRUTJ 2022/04/27					
4 PLACES ±				CHK'D: SHRUTJ 2022/05/13				PRODUCT CUSTOMER DRAWING	
3 PLACES ±				APPR: ISHWARG 2022/05/13					
2 PLACES ± 0.2				INITIAL REVISION:				DOCUMENT NUMBER	
1 PLACE ± 0.25				DRWN: GGUNAGI 2018/09/19					
0 PLACES ±				APPR: NCSR 2019/02/05				2074590000-SD	
DRAFT WHERE APPLICABLE MUST REMAIN WITHIN DIMENSIONS		THIRD ANGLE PROJECTION		DRAWING		SERIES		MATERIAL NUMBER	
				A3-SIZE		207459		SEE TABLE	
				GENERAL MARKET		CUSTOMER		SHEET NUMBER	
						1 OF 1			

9 8 7 6 5 4 3 2 1